

# Data sheet

ST045xxDDNC AST045

P/N  
AST045xx

xx=number of poles

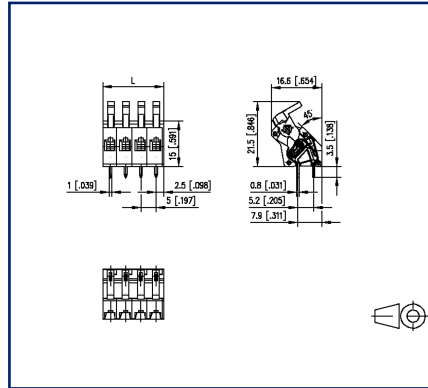
2023/07/03

Version: AA

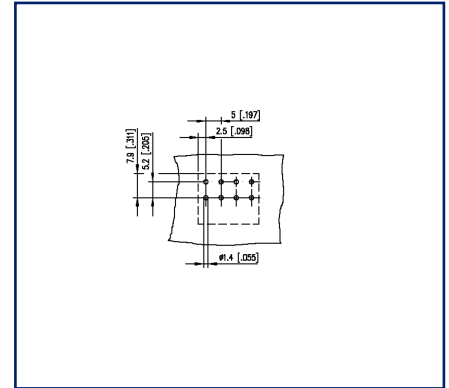
## Illustrations



Dimensional drawing



Drill pattern





See enlarged drawings at the end of document

## Product specification

- spring clamp terminal block, solderable, double solder pins
- centerline 5.00 mm, direction of connection 45°
- fittable without loss of poles
- color gray
- eccentric lever



## Technical Data

General Data			
Solder pin length	3.5 mm		
min. number of poles	2		
max. number of poles	24		
Insulating material class	CTI 400		
clearance/creepage dist.	4 mm		
Protection category	IP20		
Min. insul. strip length	6 mm		
Rated current	12 A		
Overvoltage category	III	III	II
Pollution degree	3	2	2
Rated voltage	32 V	200 V	200 V
Rated test voltage	1.5 kV	1.5 kV	1.5 kV
Terminal data			
rat.wiring solid AWGmax	0.2 mm <sup>2</sup> - 1.5 mm <sup>2</sup> / AWG 28 - AWG 16		
rat.wiring strand.AWGmax	0.2 mm <sup>2</sup> - 1.5 mm <sup>2</sup> / AWG 28 - AWG 16		
Approvals			
 V / A / AWG	300 / 13 / 28 - 16		
approval UL - File No.	E121004		
 1 mm <sup>2</sup>	250 V / 13.5 A / T60		
Material			
insulating material	PA46		
flammability class	V0		
spring material	Spring steel		
contact material	CuZn		
Contact surface	Ni + Sn		
Glow-Wire Flammability GWFI	-		
Glow-Wire Flammability GWIT	-		
Climatic Data			
upper limit temperature	105 °C		
lower limit temperature	-40 °C		

# U | Contact

Data sheet  
**ST045xxDDNC AST045**

Page 3/5

**P/N**  
**AST045xx**  
**xx=number of poles**  
2023/07/03  
Version: AA

## Technical Data

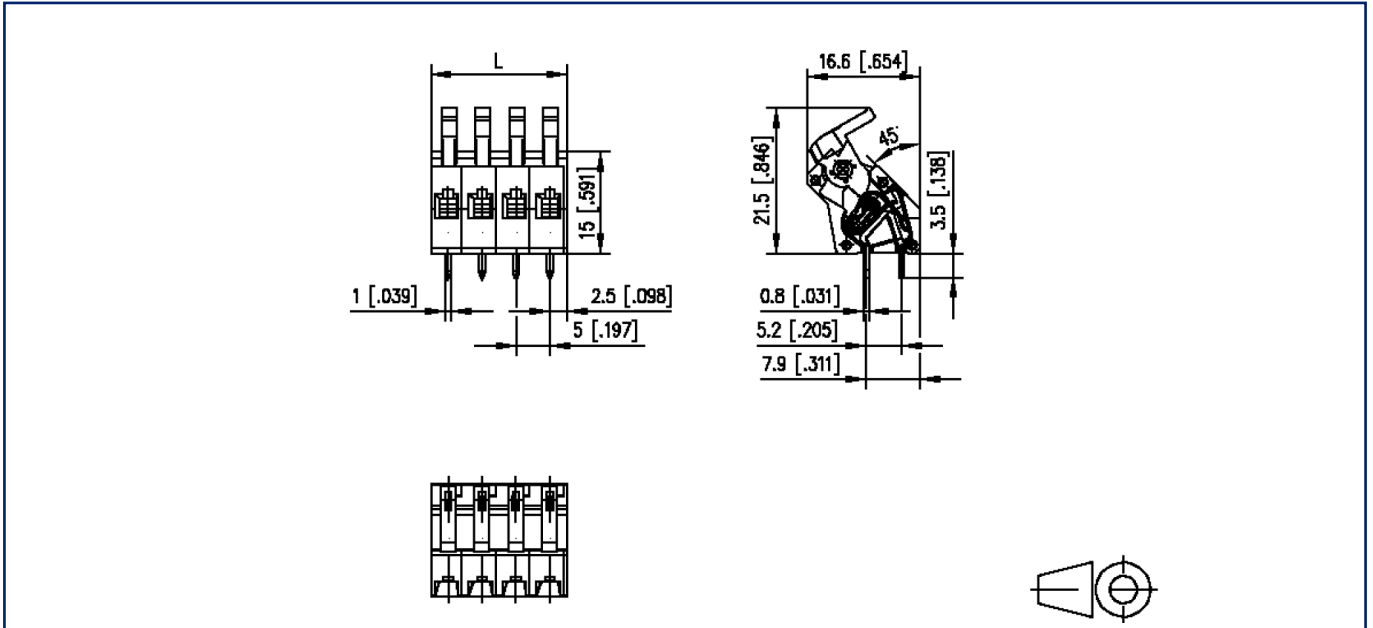
### general

Tolerance	ISO 2768 -mH
Solderability	Acc. to JEDEC JESD22-B102E 245°C/5s



## Illustrations

### Dimensional drawing



$L = (\text{pole size} - 1) \times \text{centerline} + 5 \text{ mm} [0.197]$

## Illustrations

### Drill pattern

