

55825-1 ✓ ACTIVE

TE Internal #: 55825-1

Splices, Butt Splice, 16 – 14 AWG Wire Size, 1.25 – 2 mm<sup>2</sup> Wire Size,  
Sealable, .19 in [4.83 mm] Barrel Inside Diameter, 2050 – 5180 CMA  
Wire Size

[View on TE.com >](#)



Terminals & Splices > Splices



Wire Size: 1.25 – 2 mm<sup>2</sup>

Sealable: **Yes**

Compatible Insulation Diameter Range: 4.83 mm [ .19 in ]

Barrel Inside Diameter: 4.83 mm [ .19 in ]

## Features

### Product Type Features

Sealable	Yes
Splice Type	Butt Splice
Compatible With Discrete Wire Type	Stranded
Wire Insulation Support Retention Type	Insulation Support

### Configuration Features

Compatible With Wire & Cable Type	Discrete Wire
-----------------------------------	---------------

### Body Features

Product Weight	1.149 g
Insulation Material	Polyolefin
Primary Product Color	Blue

### Contact Features

Terminal Plating Material	Tin
Contact Base Material	Copper
Barrel Type	Closed

### Mechanical Attachment



Wire Insulation Support	With
-------------------------	------

### Dimensions

Wire Size	2050 – 5180 CMA
-----------	-----------------

Compatible Insulation Diameter Range	4.83 mm [.19 in]
--------------------------------------	------------------

Barrel Inside Diameter	4.83 mm [.19 in]
------------------------	------------------

Product Length	40.79 mm [1.606 in]
----------------	---------------------

### Usage Conditions

Insulation Option	Fully Insulated
-------------------	-----------------

Operating Temperature Range	-55 – 125 °C [-67 – 257 °F]
-----------------------------	-----------------------------

### Industry Standards

Government Qualified Splice	No
-----------------------------	----

### Packaging Features

Packaging Quantity	1000
--------------------	------

Packaging Method	Loose Piece
------------------	-------------

### Product Compliance

[For compliance documentation, visit the product page on TE.com>](#)

EU RoHS Directive 2011/65/EU	Compliant
------------------------------	-----------

EU ELV Directive 2000/53/EC	Compliant
-----------------------------	-----------

China RoHS 2 Directive MIIT Order No 32, 2016	No Restricted Materials Above Threshold
---	---

EU REACH Regulation (EC) No. 1907/2006	Current ECHA Candidate List: JAN 2024 (240) Candidate List Declared Against: JUNE 2023 (235) Does not contain REACH SVHC
--	--

Halogen Content	Low Halogen - Br, Cl, F, I < 900 ppm per homogenous material. Also BFR/CFR/PVC Free
-----------------	---

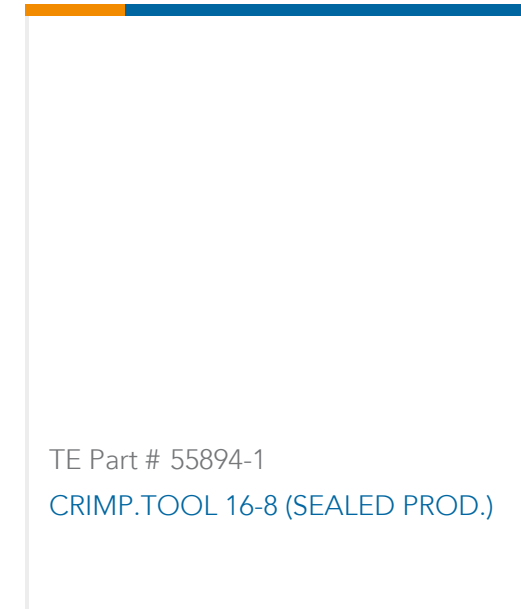
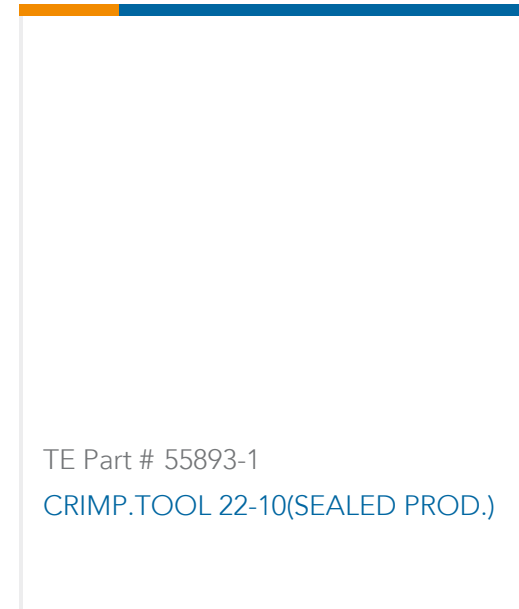
Solder Process Capability	Not applicable for solder process capability
---------------------------	--

#### Product Compliance Disclaimer

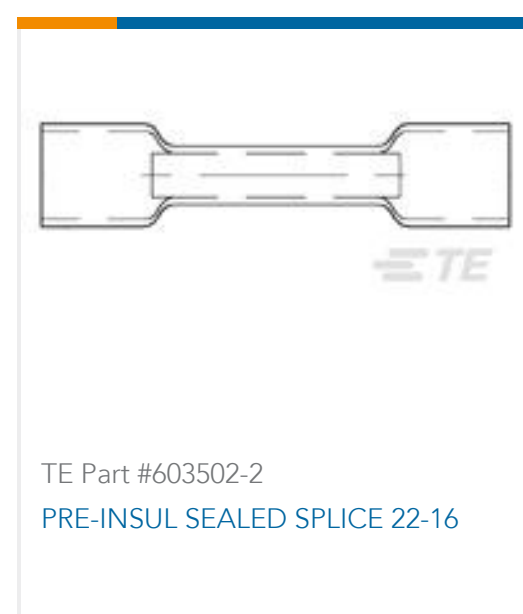
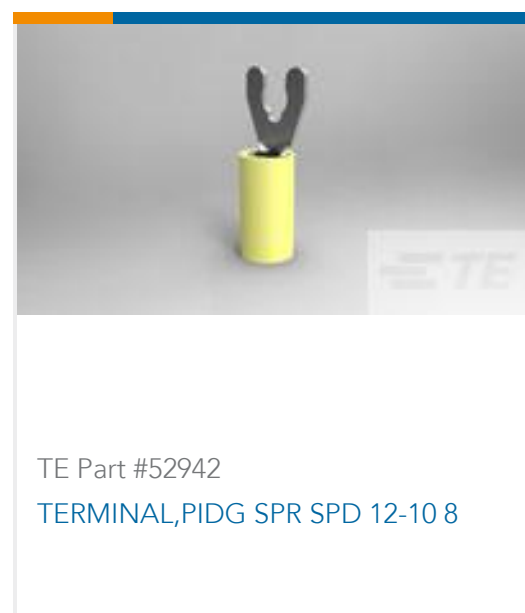
This information is provided based on reasonable inquiry of our suppliers and represents our current actual knowledge based on the information they provided. This information is subject to change. The part numbers that TE has identified as EU RoHS compliant have a maximum concentration of 0.1% by weight in homogenous materials for lead, hexavalent chromium, mercury, PBB, PBDE, DBP, BBP, DEHP, DIBP, and 0.01% for cadmium, or qualify for an exemption to these limits as defined in the Annexes of Directive 2011/65/EU (RoHS2). Finished electrical and electronic equipment products will be CE marked as required by Directive 2011/65/EU. Components may not be CE marked. Additionally, the part numbers that TE has identified as EU ELV compliant have a maximum concentration of 0.1% by weight in homogenous materials for lead, hexavalent chromium, and mercury, and 0.01% for cadmium, or qualify for an exemption to these limits

as defined in the Annexes of Directive 2000/53/EC (ELV). Regarding the REACH Regulation, the information TE provides on SVHC in articles for this part number is based on the latest European Chemicals Agency (ECHA) 'Guidance on requirements for substances in articles' posted at this URL: <https://echa.europa.eu/guidance-documents/guidance-on-reach>

## Compatible Parts



## Customers Also Bought



## Documents

### Product Drawings

#### 16-14 PRE-INSUL SEALED SPLICE

English

### CAD Files

#### Customer View Model

[ENG\\_CVM\\_CVM\\_55825-1\\_K.2d\\_dxf.zip](#)

English

### 3D PDF

3D

#### Customer View Model



[ENG\\_CVM\\_CVM\\_55825-1\\_K.3d\\_igs.zip](#)

English

**Customer View Model**

[ENG\\_CVM\\_CVM\\_55825-1\\_K.3d\\_stp.zip](#)

English

By downloading the CAD file I accept and agree to the [Terms and Conditions](#) of use.

**Instruction Sheets**

[Instruction Sheet \(U.S.\)](#)

English