



SOLISTRAND

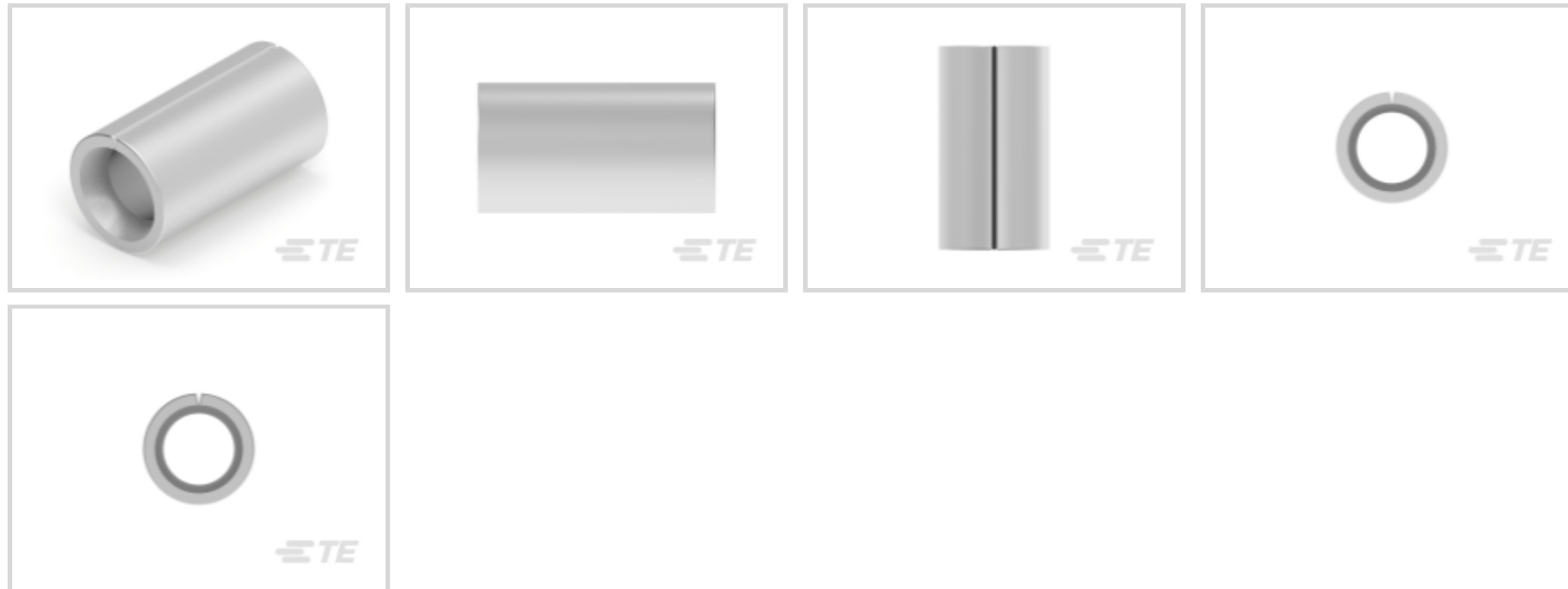
TE Internal #: 34137-3

Splices, Parallel Splice, 16 - 14 AWG Wire Size, 1.25 - 2 mm<sup>2</sup> Wire Size, Serrated, .085 in [2.16 mm] Barrel Inside Diameter, 2050 - 5180

CMA Wire Size

[View on TE.com >](#)

Terminals & Splices > Splices



Splice Type: **Parallel Splice**

Wire Size: **1.25 - 2 mm<sup>2</sup>**

Sealable: **No**

Splice Features: **Serrated**

**Features**

**Product Type Features**

Splice Accessory Type	Splice
Splice Type	Parallel Splice
Sealable	No
Compatible With Discrete Wire Type	Solid, Stranded
Wire Insulation Support Retention Type	Non-Insulation Support

**Configuration Features**

Number of Serrations	8
Compatible With Wire & Cable Type	Discrete Wire

**Body Features**

Product Weight	4.536 g
Splice Features	Serrated

**Contact Features**

	100 μm
Terminal Plating Material	Tin-Lead



Contact Base Material	Copper
-----------------------	--------

Barrel Type	Closed
-------------	--------

### Mechanical Attachment

Wire Insulation Support	Without
-------------------------	---------

### Dimensions

	.165 in
--	---------

Wire Size	2050 - 5180 CMA
-----------	-----------------

Barrel Inside Diameter	2.16 mm[.085 in]
------------------------	------------------

Terminal Material Thickness	.84 mm[.031 in]
-----------------------------	-----------------

Product Length	7.65 mm[.301 in]
----------------	------------------

### Usage Conditions

Insulation Option	Uninsulated
-------------------	-------------

Operating Temperature Range	170 °C[338 °F]
-----------------------------	----------------

### Operation/Application

Compatible With Wire Base Material	Copper
------------------------------------	--------

### Industry Standards

Government Qualified Splice	No
-----------------------------	----

### Packaging Features

Packaging Quantity	1000
--------------------	------

Packaging Method	Loose Piece
------------------	-------------

### Product Compliance

[For compliance documentation, visit the product page on TE.com>](#)

EU RoHS Directive 2011/65/EU	Not Compliant
------------------------------	---------------

EU ELV Directive 2000/53/EC	Not Compliant
-----------------------------	---------------

China RoHS 2 Directive MIIT Order No 32, 2016	Restricted Materials Above Threshold
---	--------------------------------------

EU REACH Regulation (EC) No. 1907/2006	Current ECHA Candidate List: JAN 2024 (240) Candidate List Declared Against: JAN 2024 (240) SVHC > Threshold: Pb (40% in Component Part)
--	---

#### Article Safe Usage Statements:

Do not eat, drink or smoke when using this product. Wash thoroughly after handling. Recycle if possible and dispose of the article by following all applicable governmental regulations relevant to your geographic location.

Halogen Content	Low Halogen - Br, Cl, F, I < 900 ppm per
-----------------	--

homogenous material. Also BFR/CFR/PVC Free

Solder Process Capability

Not applicable for solder process capability

Product Compliance Disclaimer

This information is provided based on reasonable inquiry of our suppliers and represents our current actual knowledge based on the information they provided. This information is subject to change. The part numbers that TE has identified as EU RoHS compliant have a maximum concentration of 0.1% by weight in homogenous materials for lead, hexavalent chromium, mercury, PBB, PBDE, DBP, BBP, DEHP, DIBP, and 0.01% for cadmium, or qualify for an exemption to these limits as defined in the Annexes of Directive 2011/65/EU (RoHS2). Finished electrical and electronic equipment products will be CE marked as required by Directive 2011/65/EU. Components may not be CE marked. Additionally, the part numbers that TE has identified as EU ELV compliant have a maximum concentration of 0.1% by weight in homogenous materials for lead, hexavalent chromium, and mercury, and 0.01% for cadmium, or qualify for an exemption to these limits as defined in the Annexes of Directive 2000/53/EC (ELV). Regarding the REACH Regulation, the information TE provides on SVHC in articles for this part number is based on the latest European Chemicals Agency (ECHA) 'Guidance on requirements for substances in articles' posted at this URL: <https://echa.europa.eu/guidance-documents/guidance-on-reach>

### Compatible Parts



TE Part # 58545-1  
SOLISTRAND 10-22 DIE ASSY



TE Part # 49935  
DAHT SOLIS 22-10 ASSY



TE Part # 58546-1  
PC 22-10 SOLISSPICE SPL I SHT



TE Part # 58545-3  
SDE DIE ASSY. 22-10 SOLISTRAND



TE Part # 47813  
DIES SOLIS 16-14 DIE SET

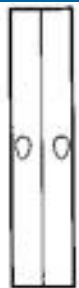


TE Part # 169400  
CERTI-LOK FRAME W/O DIES

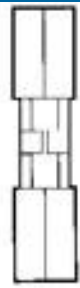
### Customers Also Bought




TE Part # 5-1618407-2  
EV202MSBFD=RELAY, EV202 DPST-NO, 28V



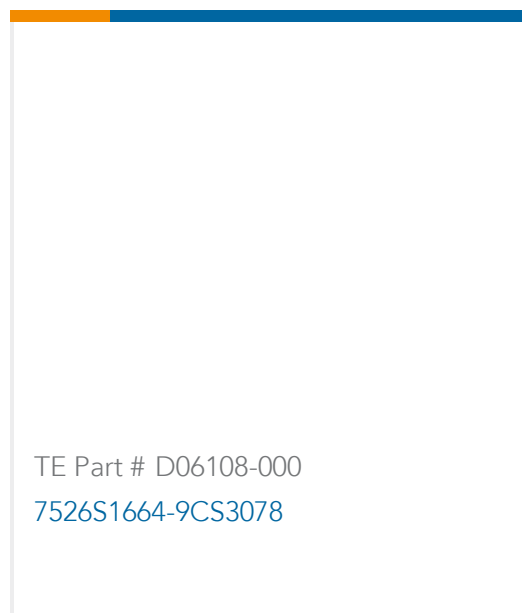
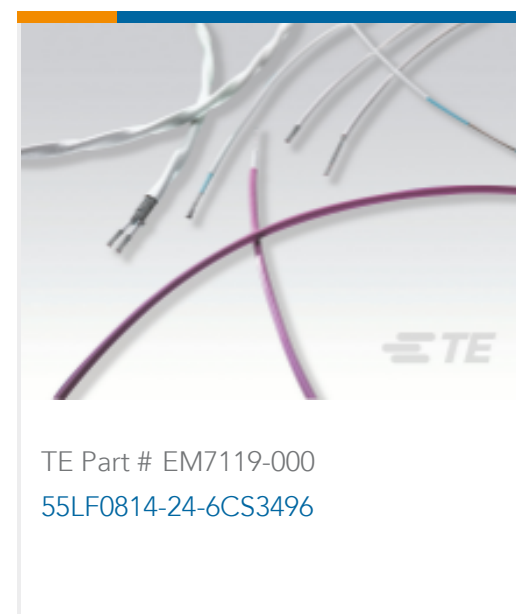
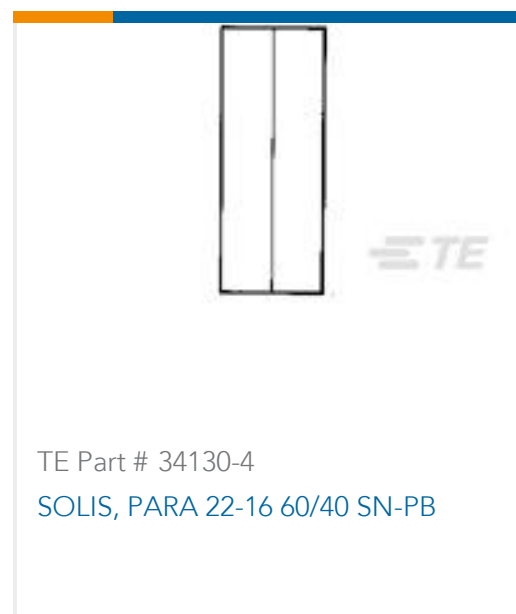
TE Part # 8-31818-1  
SOLIS BUTT 22-16 COMM 22-18MIL



TE Part # 8-324001-1  
SPLICE,SOLIS BUTT STRAP 24-20



TE Part # D12074-000  
S200-5-00



## Documents

### Product Drawings

[SOLIS, PARA 16-14 60/40 SN-PB](#)

English

### CAD Files

Customer View Model

[ENG\\_CVM\\_CVM\\_34137-3\\_P.2d\\_dxf.zip](#)

English

[3D PDF](#)

3D

Customer View Model

[ENG\\_CVM\\_CVM\\_34137-3\\_P.3d\\_igs.zip](#)

English

Customer View Model

[ENG\\_CVM\\_CVM\\_34137-3\\_P.3d\\_stp.zip](#)

English

By downloading the CAD file I accept and agree to the [Terms and Conditions](#) of use.

### Datasheets & Catalog Pages

[SOLISTRAND - QRG](#)

English