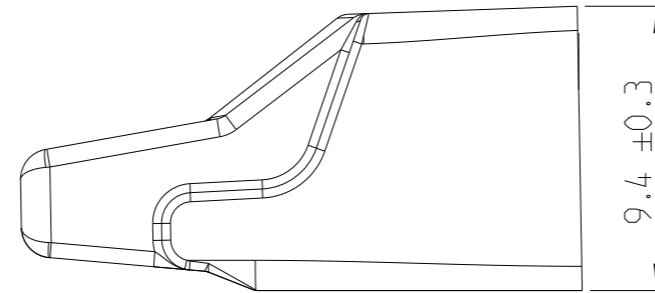
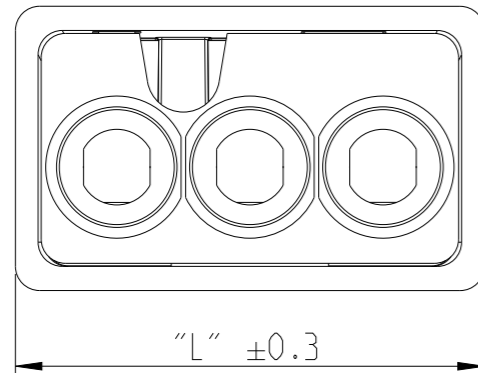


P	LTR	DESCRIPTION	DATE	DWN	APVD
A1		ADDED PN -5	08NOV2021	MZ	MZ
B		PART MODEL TYPE CODE UPDATE	24NOV2021	MHS	MZ
B1		UPDATED DRAWING	06APR2022	DM	MZ
B2		UPDATED DRAWING	21FEB2023	MZ	MZ



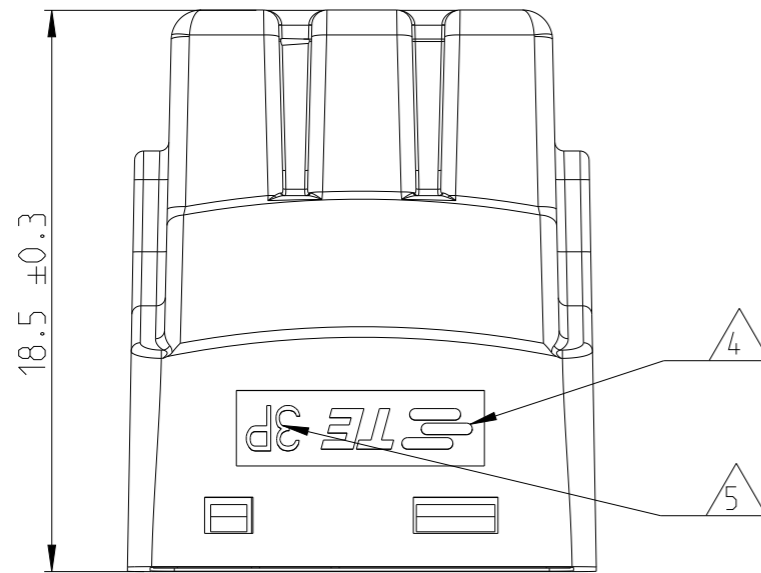
P/N 2388553-3 SHOWN FOR REFERENCE ONLY

NOTES:

- HOUSING MATERIAL:
- POLYCARBONATE AND POLYPROPYLENE
- COLOUR: SEE TABLE
- CONTACT MATERIAL:
- TERMINAL: TIN PLATED COPPER ALLOY
- SPRING: STEEL

△4 TE LOGO

△5 MODEL TYPE CODE



MODEL TYPE	LENGTH DIM "L"	COLOUR	NO. OF POSITIONS	DESCRIPTION	PART NO.
5P	24.3	TRANSPARENT / BLUE	5	PUSH-IN CONNECTOR, 5 POSITIONS	2388553-5
4P	19.9	TRANSPARENT / YELLOW	4	PUSH-IN CONNECTOR, 4 POSITIONS	2388553-4
3P	15.5	TRANSPARENT / ORANGE	3	PUSH-IN CONNECTOR, 3 POSITIONS	2388553-3
2P	11.1	TRANSPARENT / RED	2	PUSH-IN CONNECTOR, 2 POSITIONS	2388553-2

THIS DRAWING IS A CONTROLLED DOCUMENT.

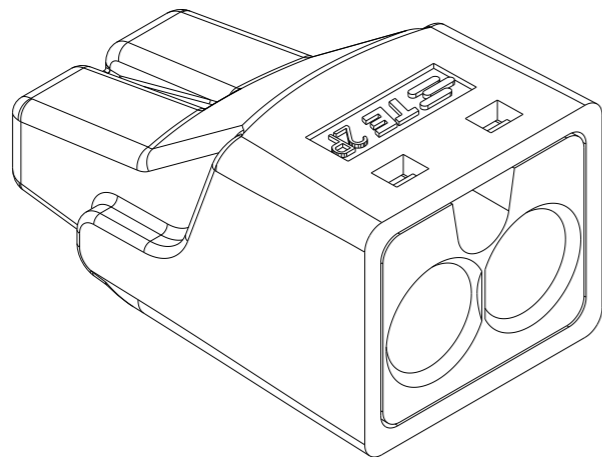
DIMENSIONS: mm	
MATERIAL	

TOLERANCES UNLESS OTHERWISE SPECIFIED:	
0 PLC	±0.10
1 PLC	±0.10
2 PLC	±0.10
3 PLC	±0.10
4 PLC	±0.10
ANGLES	±
FINISH	-

DWN	M. ZUCCA	10MAR2021
CHK	M. ZUCCA	10MAR2021
APVD	M. ZUCCA	21JUL2021
PRODUCT SPEC	-	
APPLICATION SPEC	-	
WEIGHT	-	
CUSTOMER DRAWING		

TE Connectivity			
NAME PUSH-IN CONNECTOR, 2, 3, 4 AND 5 POS			
SIZE	CAGE CODE	DRAWING NO	RESTRICTED TO
A3	00779	©=2388553	-
SCALE		SHEET	REV
4:1		1 OF 2	B2

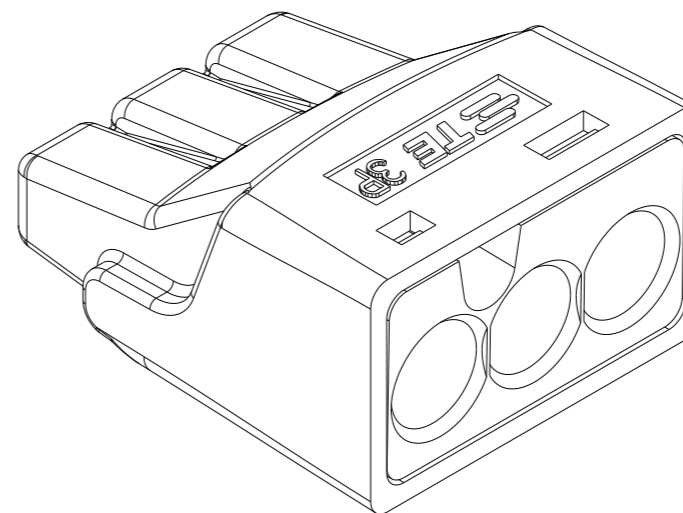
P/N 2388553-2 AS SHOWN



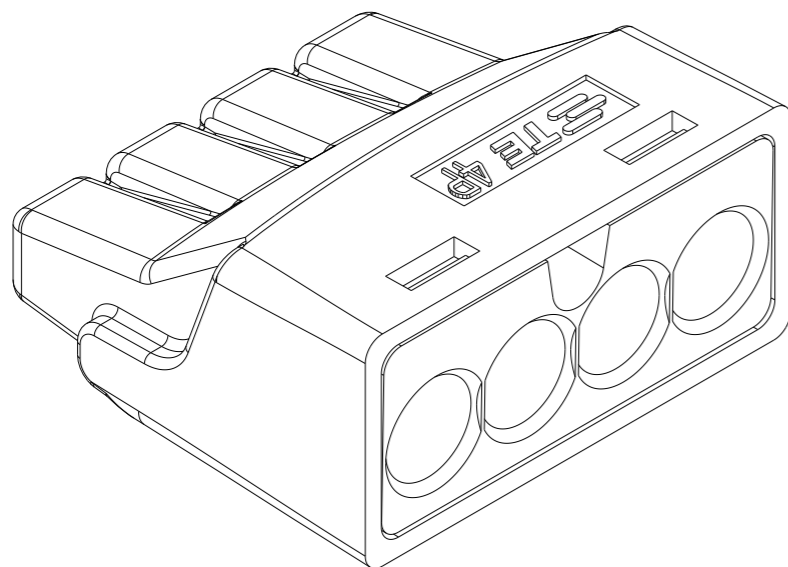
REVISIONS

P	LTR	DESCRIPTION	DATE	DWN	APVD
-		SEE SHEET 1	-	-	-

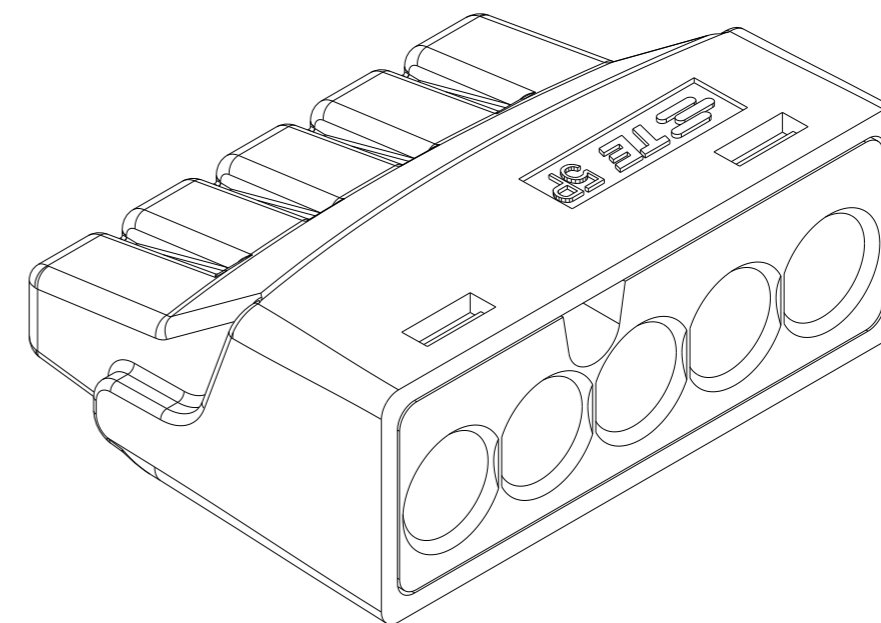
P/N 2388553-3 AS SHOWN



P/N 2388553-4 AS SHOWN

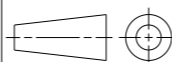


P/N 2388553-5 AS SHOWN



THIS DRAWING IS A CONTROLLED DOCUMENT.

DIMENSIONS:
mm



MATERIAL

TOLERANCES UNLESS OTHERWISE SPECIFIED:

- 0 PLC ±0
- 1 PLC ±0
- 2 PLC ±0
- 3 PLC ±0
- 4 PLC ±0
- ANGLES ±

FINISH

DWN M. ZUCCA 10MAR2021

CHK M. ZUCCA 10MAR2021

APVD M. ZUCCA 21JUL2021

PRODUCT SPEC

APPLICATION SPEC

WEIGHT

CUSTOMER DRAWING



TE Connectivity

NAME
PUSH-IN CONNECTOR,
2, 3, 4 AND 5 POS

SIZE CAGE CODE DRAWING NO RESTRICTED TO

A3 00779 C-2388553

SCALE 4:1 SHEET 2 OF 2 REV B2