

1-330021-0 ✓ ACTIVE



TE Internal #: 1-330021-0

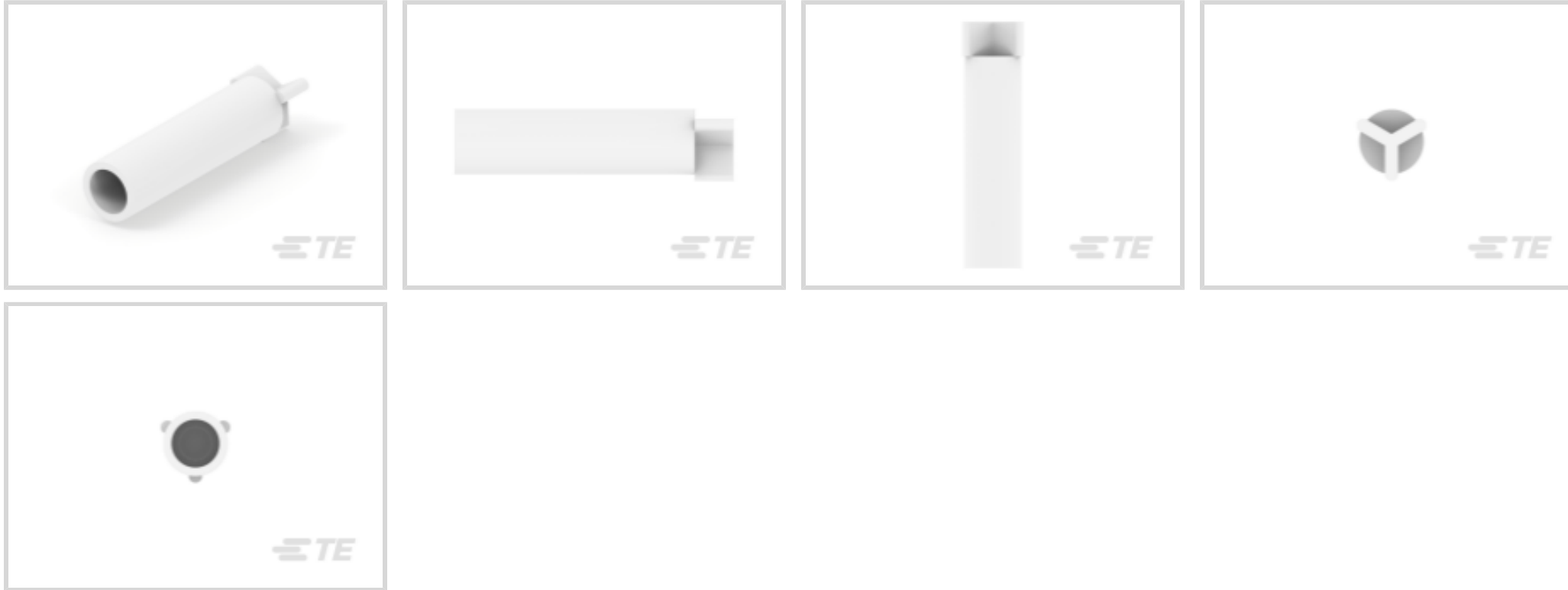
Splices, Closed End Splice, 22 - 16 AWG Wire Size, .3 - 1.42 mm²

Wire Size, .149 in [3.79 mm] Barrel Inside Diameter, 3.248 - 4.872

kcmil Wire Size

[View on TE.com >](#)

Terminals & Splices > Splices



Splice Type: **Closed End Splice**

Wire Size: **.3 - 1.42 mm²**

Sealable: **No**

Compatible Insulation Diameter Range: **6.73 mm [.265 in]**

Features

Product Type Features

| | |
|--|--------------------|
| Splice Accessory Type | Splice |
| Splice Type | Closed End Splice |
| Sealable | No |
| Compatible With Discrete Wire Type | Solid, Stranded |
| Wire Insulation Support Retention Type | Insulation Support |

Configuration Features

| | |
|-----------------------------------|---------------|
| Compatible With Wire & Cable Type | Discrete Wire |
|-----------------------------------|---------------|

Electrical Characteristics

| | |
|-------------------|-------|
| Operating Voltage | 600 V |
|-------------------|-------|

Body Features

| | |
|---------------------|-----|
| Insulation Material | PVC |
|---------------------|-----|

Contact Features

| | |
|---------------------------|--------|
| Terminal Plating Material | Tin |
| Contact Base Material | Steel |
| Barrel Type | Closed |



Mechanical Attachment

| | |
|-------------------------|------|
| Wire Insulation Support | With |
|-------------------------|------|

Dimensions

| | |
|--------------------------------------|-------------------|
| Recovered Inside Diameter | 2.74 mm[.108 in] |
| Outside Diameter | 6.35 mm[.25 in] |
| Wire Size | 3248 - 4872 CMA |
| Compatible Insulation Diameter Range | 6.73 mm[.265 in] |
| Barrel Inside Diameter | 3.79 mm[.149 in] |
| Terminal Material Thickness | .69 mm[.027 in] |
| Product Length | 20.96 mm[.825 in] |

Usage Conditions

| | |
|-----------------------------|-----------------|
| Insulation Option | Fully Insulated |
| Operating Temperature Range | 105 °C[221 °F] |

Operation/Application

| | |
|------------------------------------|--------|
| Compatible With Wire Base Material | Copper |
|------------------------------------|--------|

Identification Marking

| | |
|----------------|-----|
| Splice Marking | ECV |
|----------------|-----|

Industry Standards

| | |
|-----------------------------|----|
| Government Qualified Splice | No |
|-----------------------------|----|

Packaging Features

| | |
|--------------------|--------------|
| Packaging Quantity | 2500 |
| Packaging Method | Tape Mounted |

Product Compliance

[For compliance documentation, visit the product page on TE.com>](#)

| | |
|---|---|
| EU RoHS Directive 2011/65/EU | Compliant |
| EU ELV Directive 2000/53/EC | Compliant |
| China RoHS 2 Directive MIIT Order No 32, 2016 | No Restricted Materials Above Threshold |
| EU REACH Regulation (EC) No. 1907/2006 | Current ECHA Candidate List: JAN 2024 (240) Candidate List Declared Against: JAN 2024 (240) Does not contain REACH SVHC |



| | |
|---------------------------|---|
| Halogen Content | Low Halogen - Br, Cl, F, I < 900 ppm per homogenous material. Also BFR/CFR/PVC Free |
| Solder Process Capability | Not applicable for solder process capability |

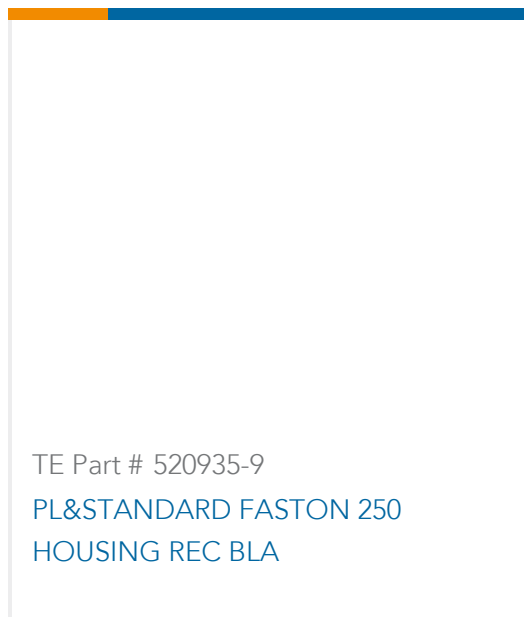
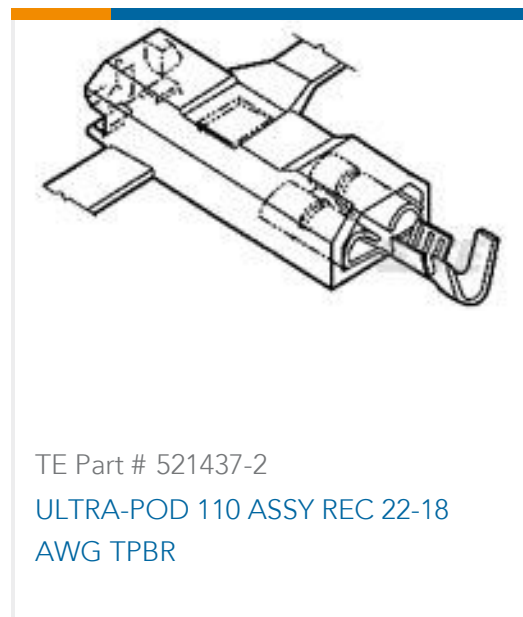
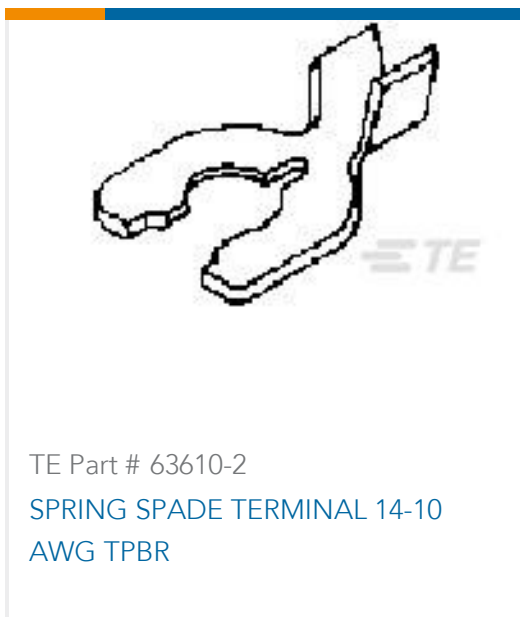
Product Compliance Disclaimer

This information is provided based on reasonable inquiry of our suppliers and represents our current actual knowledge based on the information they provided. This information is subject to change. The part numbers that TE has identified as EU RoHS compliant have a maximum concentration of 0.1% by weight in homogenous materials for lead, hexavalent chromium, mercury, PBB, PBDE, DBP, BBP, DEHP, DIBP, and 0.01% for cadmium, or qualify for an exemption to these limits as defined in the Annexes of Directive 2011/65/EU (RoHS2). Finished electrical and electronic equipment products will be CE marked as required by Directive 2011/65/EU. Components may not be CE marked. Additionally, the part numbers that TE has identified as EU ELV compliant have a maximum concentration of 0.1% by weight in homogenous materials for lead, hexavalent chromium, and mercury, and 0.01% for cadmium, or qualify for an exemption to these limits as defined in the Annexes of Directive 2000/53/EC (ELV). Regarding the REACH Regulation, the information TE provides on SVHC in articles for this part number is based on the latest European Chemicals Agency (ECHA) 'Guidance on requirements for substances in articles' posted at this URL: <https://echa.europa.eu/guidance-documents/guidance-on-reach>

Compatible Parts



Customers Also Bought





Documents

Product Drawings

[SPLICE,CE ECON 22-16](#)

English

CAD Files

[3D PDF](#)

English

Customer View Model

[ENG_CVM_1-330021-0_Y.3d_igs.zip](#)

English

Customer View Model

[ENG_CVM_1-330021-0_Y.3d_stp.zip](#)

English

Customer View Model

[ENG_CVM_1-330021-0_Y.2d_dxf.zip](#)

English

[3D PDF](#)

3D

Customer View Model

[ENG_CVM_CVM_1-330021-0_Z.2d_dxf.zip](#)

English

Customer View Model

[ENG_CVM_CVM_1-330021-0_Z.3d_igs.zip](#)

English

Customer View Model

[ENG_CVM_CVM_1-330021-0_Z.3d_stp.zip](#)

English

By downloading the CAD file I accept and agree to the [Terms and Conditions](#) of use.

Product Specifications

[Application Specification](#)

English

Instruction Sheets

[Instruction Sheet \(U.S.\)](#)

English



[Agency Approvals](#)

[Agency Approval Document](#)

English