

342196-1 ✓ ACTIVE

PLASTI-GRIP

TE Internal #: 342196-1

Crimp Wire Pins, Tabs & Ferrules, Wire Pin, Mating Pin Diameter

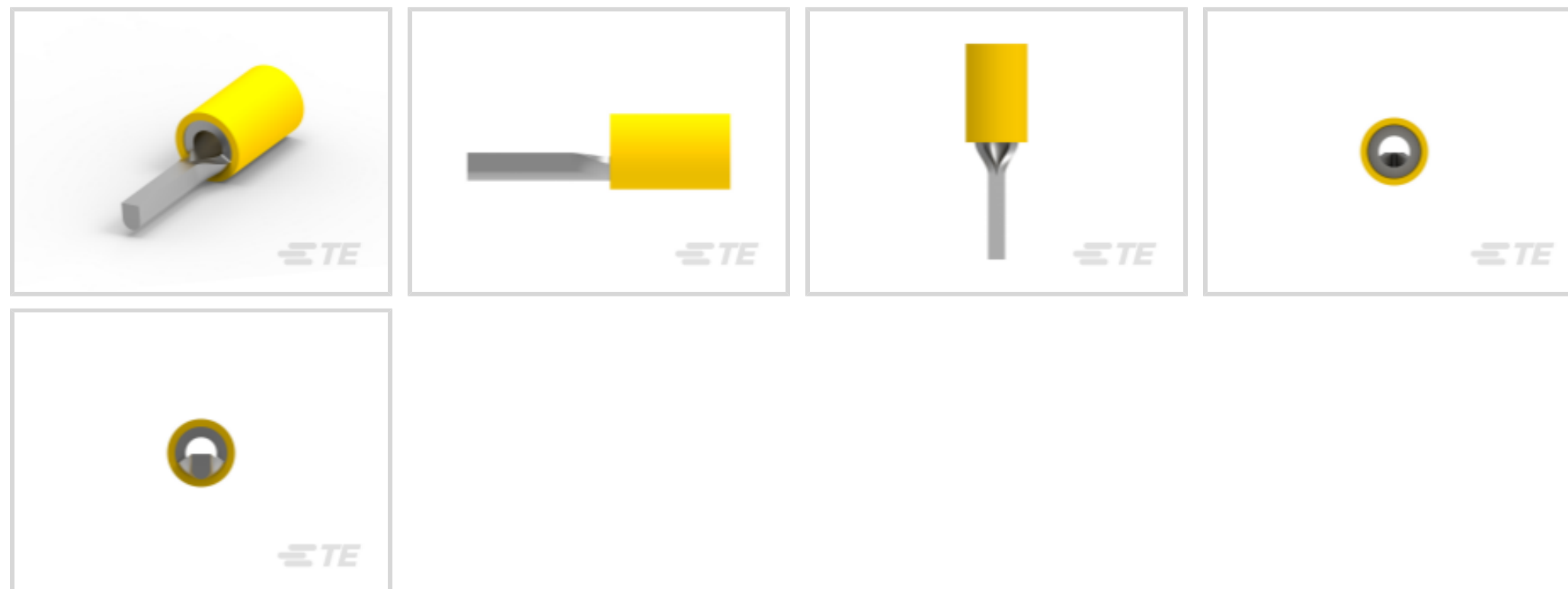
2.6 mm [.102 in], 12 - 10 AWG Wire Size, 3 - 6 mm<sup>2</sup> Wire Size,

PLASTI-GRIP

[View on TE.com >](#)



Terminals & Splices > Crimp Wire Pins, Tabs & Ferrules



Crimp Wire Terminal Type: **Wire Pin**

Mating Pin Diameter: **2.6 mm [.102 in]**

Compatible Insulation Diameter Range: **3.81 - 6.35 mm, 6.4 mm [.15 - .25 in, .25 in]**

Wire Size: **3 - 6 mm<sup>2</sup>**

### Features

#### Product Type Features

Sealable	No
Compatible With Discrete Wire Type	Solid, Stranded
Wire Insulation Support Retention Type	Insulation Support

#### Configuration Features

Compatible With Wire & Cable Type	Discrete Wire
-----------------------------------	---------------

#### Body Features

Sleeve Material	PVC
Primary Product Color	Yellow

#### Contact Features

Contact Fabrication	Stamped & Formed
Crimp Wire Terminal Type	Wire Pin
Mating Pin Diameter	2.6 mm [.102 in]
Barrel Type	Closed
Terminal Plating Material	Tin



Contact Shape & Form	Round
----------------------	-------

Terminal Orientation	Straight
----------------------	----------

### Mechanical Attachment

Wire Insulation Support	With
-------------------------	------

### Dimensions

Compatible Insulation Diameter Range	3.81 - 6.35 mm, 6.4 mm [.15 - .25 in][.25 in]
--------------------------------------	-----------------------------------------------

Wire Size	5180 - 13100 CMA
-----------	------------------

Terminal Material Thickness	.99 mm [.039 in]
-----------------------------	------------------

Overall Product Length	29.4 mm [1.158 in]
------------------------	--------------------

### Usage Conditions

Insulation Option	Partially Insulated
-------------------	---------------------

Operating Temperature Range	105 °C [221 °F]
-----------------------------	-----------------

### Packaging Features

Packaging Method	Loose Piece
------------------	-------------

## Product Compliance

[For compliance documentation, visit the product page on TE.com>](#)

EU RoHS Directive 2011/65/EU	Compliant
------------------------------	-----------

EU ELV Directive 2000/53/EC	Compliant
-----------------------------	-----------

China RoHS 2 Directive MIIT Order No 32, 2016	No Restricted Materials Above Threshold
-----------------------------------------------	-----------------------------------------

EU REACH Regulation (EC) No. 1907/2006	Current ECHA Candidate List: JAN 2024 (240) Candidate List Declared Against: JAN 2024 (240) Does not contain REACH SVHC
----------------------------------------	-------------------------------------------------------------------------------------------------------------------------------

Halogen Content	Not Low Halogen - contains Br or Cl > 900 ppm.
-----------------	------------------------------------------------

Solder Process Capability	Not applicable for solder process capability
---------------------------	----------------------------------------------

#### Product Compliance Disclaimer

This information is provided based on reasonable inquiry of our suppliers and represents our current actual knowledge based on the information they provided. This information is subject to change. The part numbers that TE has identified as EU RoHS compliant have a maximum concentration of 0.1% by weight in homogenous materials for lead, hexavalent chromium, mercury, PBB, PBDE, DBP, BBP, DEHP, DIBP, and 0.01% for cadmium, or qualify for an exemption to these limits as defined in the Annexes of Directive 2011/65/EU (RoHS2). Finished electrical and electronic equipment products will be CE marked as required by Directive 2011/65/EU. Components may not be CE marked. Additionally, the part numbers that TE has identified as EU ELV compliant have a maximum concentration of 0.1% by weight in homogenous materials for lead, hexavalent chromium, and mercury, and 0.01% for cadmium, or qualify for an exemption to these limits as defined in the Annexes of Directive 2000/53/EC (ELV). Regarding the REACH Regulation, the information TE provides

on SVHC in articles for this part number is based on the latest European Chemicals Agency (ECHA) 'Guidance on requirements for substances in articles' posted at this URL: <https://echa.europa.eu/guidance-documents/guidance-on-reach>

## Compatible Parts



TE Part # 59824-1  
TETRA-CRIMP PIDG PG FASTON 22-10 ASSY



TE Part # 58433-3  
PRO CR ASSY, RBY IS9252



TE Part # 58423-1  
DIE, RBY IS9252



TE Part # 59239-4  
HHHT PIDG PG 12-10 ASSY



TE Part # 525692  
HHHT PIDG PG 12-10 ASSY



TE Part # 2063030-1  
SDE DIESET, RBY, UL



TE Part # 1-59239-4  
HHHT PIDG 16-10 HEAD



TE Part # 169404  
CERTI-LOK DIE




TE Part # 1SET191001R0000  
CRIMP-HT



TE Part # 1SET191002R0000  
TET CRIMP-HT


## Also in the Series | PLASTI-GRIP



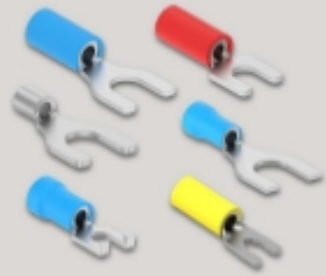
Compression Connectors(3)



Crimp Wire Pins, Tabs & Ferrules(19)



Ring Terminals(300)

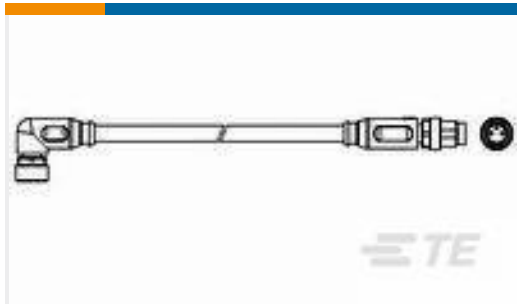


Spade Terminals(160)

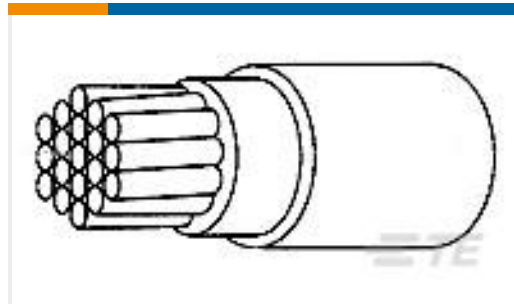


Splices(46)

## Customers Also Bought



TE Part # 3-2273124-4  
M8 angled socket to M8 straight plug 2 LED



TE Part # 9727873001  
99M0111-20-2L



TE Part # 1-1623720-0  
CCR2 47R 10%



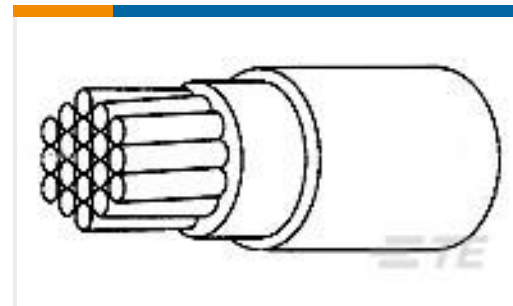
TE Part # 2071566-1  
PT78C4P



TE Part # 6609020-5  
3EB1=F7102 S0



TE Part # D42180-000  
B-155-05



TE Part # 5309113001  
99M0111-12-45



TE Part # 1SNA295013R1000  
HD16/14.FF5.20.3

## Documents

### Product Drawings

#### 12-10 F.E.P.G. WIRE PIN

English

### CAD Files

#### 3D PDF

3D

#### Customer View Model

[ENG\\_CVM\\_CVM\\_342196-1\\_N\\_c-342196-1-n.2d\\_dxf.zip](#)

English

#### Customer View Model

[ENG\\_CVM\\_CVM\\_342196-1\\_N\\_c-342196-1-n.3d\\_igs.zip](#)

English

#### Customer View Model

[ENG\\_CVM\\_CVM\\_342196-1\\_N\\_c-342196-1-n.3d\\_stp.zip](#)

English

By downloading the CAD file I accept and agree to the [Terms and Conditions](#) of use.



---

[Product Specifications](#)

[Application Specification](#)

English