

324543 ✓ ACTIVE



## PIDG

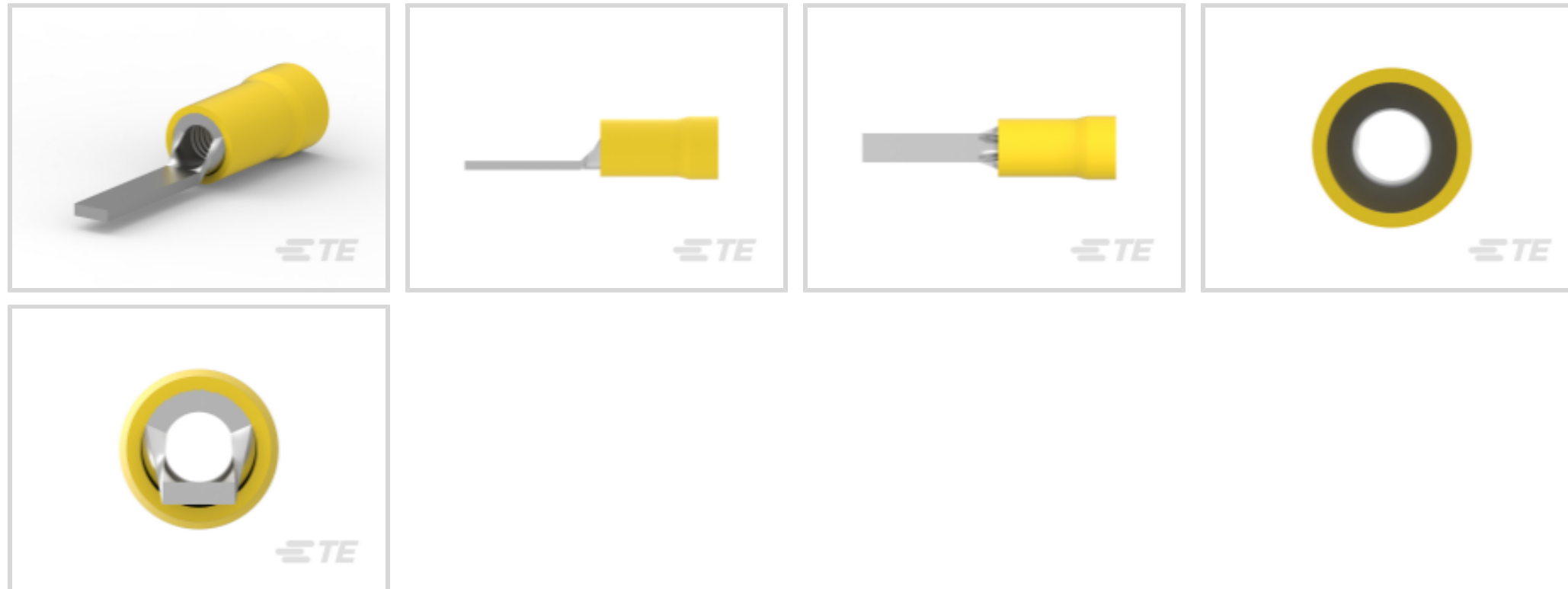
TE Internal #: 324543

Crimp Wire Pins, Tabs & Ferrules, Tab, Mating Tab Width .125 in [3.18 mm], Mating Tab Thickness 1.07 mm [.042 in], 12 - 10 AWG

Wire Size, PIDG

[View on TE.com >](#)

Terminals & Splices > Crimp Wire Pins, Tabs & Ferrules > PIDG Pre-Insulated Diamond Grip Tabs



Crimp Wire Terminal Type: Tab

Mating Tab Width: 3.18 mm [.125 in]

Mating Tab Thickness: 1.07 mm [.042 in]

Compatible Insulation Diameter Range: 3.81 - 5.84 mm [.15 - .23 in, .23 in]

Wire Size: 12 - 10 AWG

[All PIDG Pre-Insulated Diamond Grip Tabs \(8\)](#)

## Features

### Product Type Features

Sealable	No
Compatible With Discrete Wire Type	Stranded
Wire Insulation Support Retention Type	Insulation Support

### Configuration Features

Compatible With Wire & Cable Type	Discrete Wire
-----------------------------------	---------------

### Body Features

Insulation Material	Nylon
Primary Product Color	Yellow

### Contact Features

Crimp Wire Terminal Type	Tab
Mating Tab Width	3.18 mm[.125 in]
Mating Tab Thickness	1.07 mm[.042 in]



Barrel Type	Closed
-------------	--------

Terminal Plating Material	Tin
---------------------------	-----

Terminal Orientation	Straight
----------------------	----------

### Mechanical Attachment

Wire Insulation Support	With
-------------------------	------

### Dimensions

Compatible Insulation Diameter Range	3.81 - 5.84 mm [.15 - .23 in] [.23 in]
--------------------------------------	--

Wire Size	5180 - 13100 CMA
-----------	------------------

Barrel Inside Diameter	6.4 mm [.253 in]
------------------------	------------------

Terminal Material Thickness	1 mm [.04 in]
-----------------------------	---------------

Overall Product Length	30.33 mm [1.194 in]
------------------------	---------------------

### Usage Conditions

Insulation Option	Partially Insulated
-------------------	---------------------

Operating Temperature Range	105 °C [221 °F]
-----------------------------	-----------------

### Packaging Features

Packaging Method	Loose Piece
------------------	-------------

## Product Compliance

[For compliance documentation, visit the product page on TE.com>](#)

EU RoHS Directive 2011/65/EU	Compliant
------------------------------	-----------

EU ELV Directive 2000/53/EC	Compliant
-----------------------------	-----------

China RoHS 2 Directive MIIT Order No 32, 2016	No Restricted Materials Above Threshold
---	---

EU REACH Regulation (EC) No. 1907/2006	Current ECHA Candidate List: JAN 2024 (240) Candidate List Declared Against: JAN 2024 (240) Does not contain REACH SVHC
--	---

Halogen Content	Low Halogen - Br, Cl, F, I < 900 ppm per homogenous material. Also BFR/CFR/PVC Free
-----------------	---

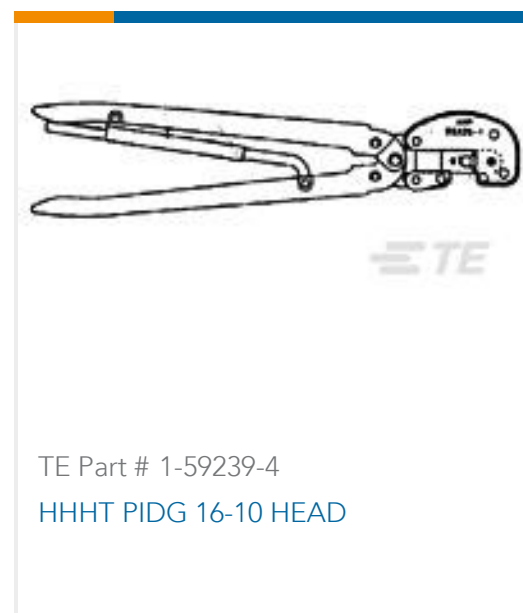
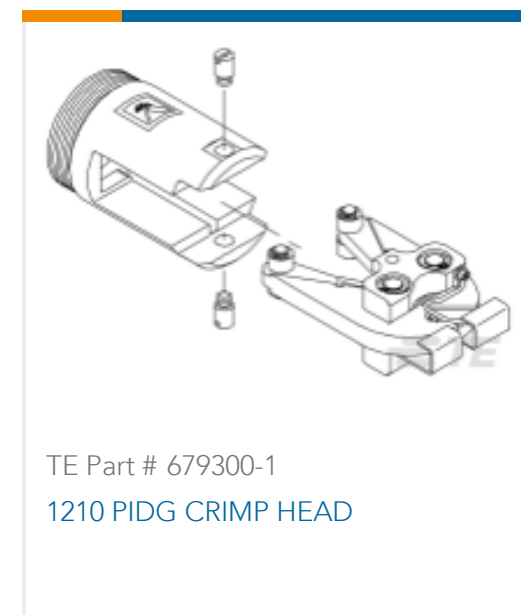
Solder Process Capability	Not applicable for solder process capability
---------------------------	--

#### Product Compliance Disclaimer

This information is provided based on reasonable inquiry of our suppliers and represents our current actual knowledge based on the information they provided. This information is subject to change. The part numbers that TE has identified as EU RoHS compliant have a maximum concentration of 0.1% by weight in homogenous materials for lead, hexavalent chromium, mercury, PBB, PBDE, DBP, BBP, DEHP, DIBP, and 0.01% for cadmium, or qualify for an exemption to these

limits as defined in the Annexes of Directive 2011/65/EU (RoHS2). Finished electrical and electronic equipment products will be CE marked as required by Directive 2011/65/EU. Components may not be CE marked. Additionally, the part numbers that TE has identified as EU ELV compliant have a maximum concentration of 0.1% by weight in homogenous materials for lead, hexavalent chromium, and mercury, and 0.01% for cadmium, or qualify for an exemption to these limits as defined in the Annexes of Directive 2000/53/EC (ELV). Regarding the REACH Regulation, the information TE provides on SVHC in articles for this part number is based on the latest European Chemicals Agency (ECHA) 'Guidance on requirements for substances in articles' posted at this URL: <https://echa.europa.eu/guidance-documents/guidance-on-reach>

## Compatible Parts



Also in the Series | **PIDG**





Compression Connectors(17)



Crimp Wire Pins, Tabs & Ferrules(41)



Hand Crimping Tools(2)



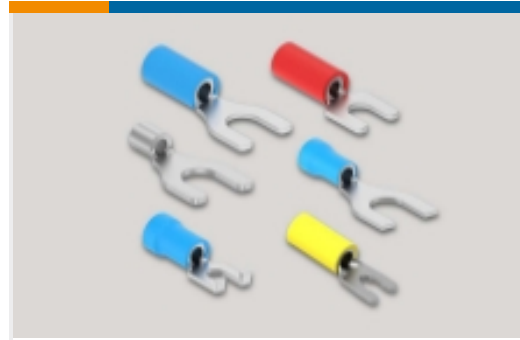
Knife Disconnects(11)



Quick Disconnects(32)



Ring Terminals(589)



Spade Terminals(228)



Special Purpose Terminals(1)

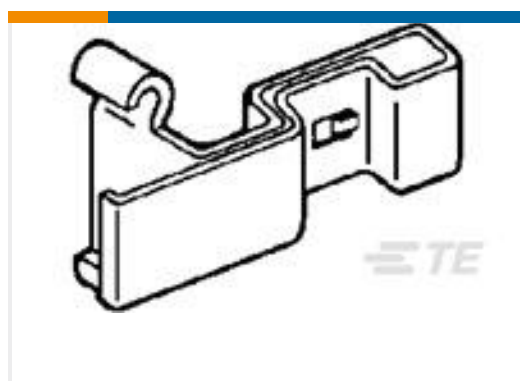


Splices(40)

## Customers Also Bought



TE Part # 327748  
PIDG Pre-Insulated Diamond Grip Tabs



TE Part # 745779-2  
HD SOZ TO RELEASE KIT



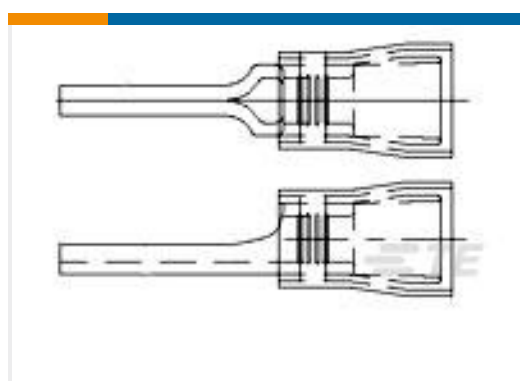
TE Part # 131445  
PG, WIRE TAB, 12-10



TE Part # 165171  
P.G. WIRE PIN 16-14



TE Part # 32960  
TERMINAL,PG R 16-14 10



TE Part # 165085-1  
PG WIRE PIN YELLOW



TE Part # 34112  
SOLIS R 22-16COMM 22-18MIL 10



TE Part # 321684  
TERMINAL,SOLIS R 16-14 6



## Documents

### Product Drawings

[TAB,PIDG 12-10](#)

English

### CAD Files

[3D PDF](#)

3D

Customer View Model

[ENG\\_CVM\\_CVM\\_324543\\_E.2d\\_dxf.zip](#)

English

Customer View Model

[ENG\\_CVM\\_CVM\\_324543\\_E.3d\\_igs.zip](#)

English

Customer View Model

[ENG\\_CVM\\_CVM\\_324543\\_E.3d\\_stp.zip](#)

English

By downloading the CAD file I accept and agree to the [Terms and Conditions](#) of use.

### Agency Approvals

[UL Report](#)

English