

165140 ✓ ACTIVE

SOLISTRAND

TE Internal #: 165140

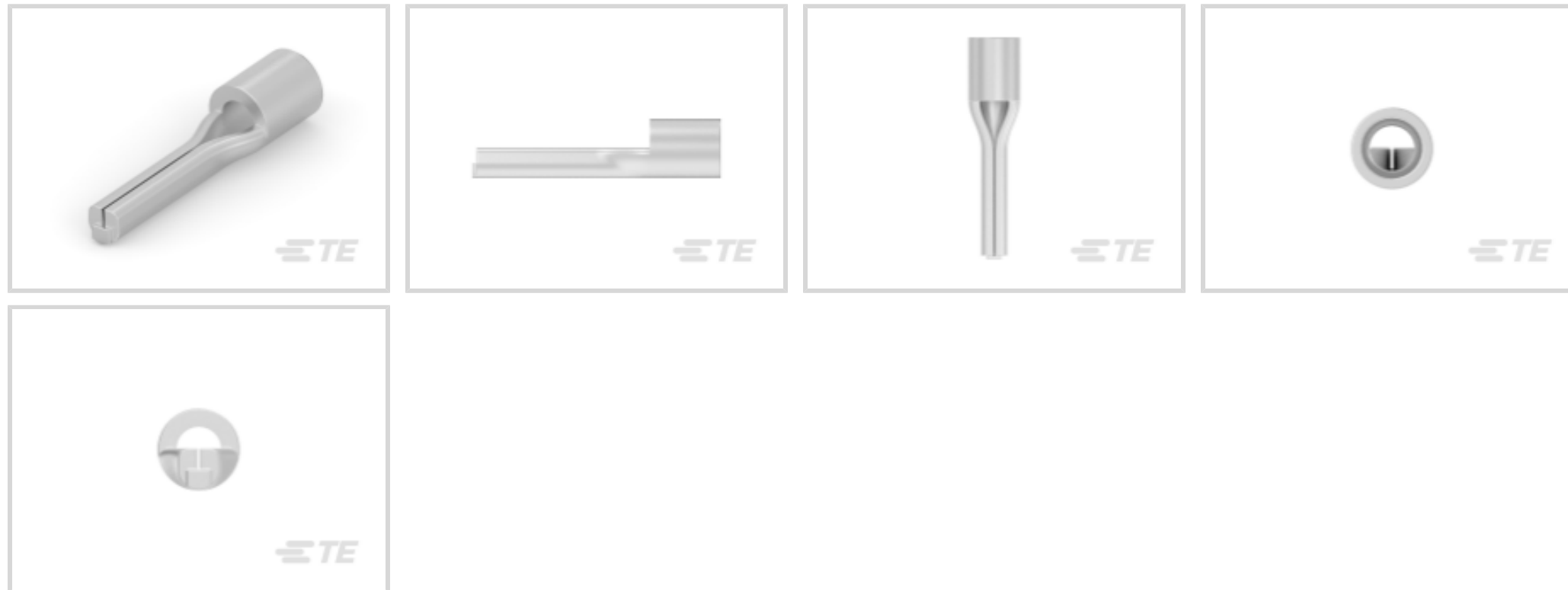
Crimp Wire Pins, Tabs & Ferrules, Wire Pin, Mating Pin Diameter

1.78 mm [.07 in], 22 - 16 AWG Wire Size, .3 - 1.42 mm² Wire Size

[View on TE.com >](#)



Terminals & Splices > Crimp Wire Pins, Tabs & Ferrules



Crimp Wire Terminal Type: **Wire Pin**

Mating Pin Diameter: **1.78 mm [.07 in]**

Wire Size: **509 - 3260 CMA**

Features

Product Type Features

Sealable	No
Compatible With Discrete Wire Type	Stranded
Wire Insulation Support Retention Type	Non-Insulation Support

Configuration Features

Compatible With Wire & Cable Type	Discrete Wire
-----------------------------------	---------------

Contact Features

Contact Mating Area Length	5.7 mm
Contact Fabrication	Stamped & Formed
	100 μin
Crimp Wire Terminal Type	Wire Pin
Mating Pin Diameter	1.78 mm [.07 in]
Barrel Type	Closed
Terminal Plating Material	Tin
Contact Shape & Form	Round
Terminal Orientation	Straight

Mechanical Attachment



Wire Insulation Support	Without
-------------------------	---------

Dimensions

DIN Wire Size	.5 - 1 mm ²
Wire Size	509 - 3260 CMA
Barrel Inside Diameter	16.8 mm[.66 in]
Terminal Material Thickness	.79 mm[.031 in]
Overall Product Length	14.4 mm[.56 in]

Usage Conditions

Insulation Option	Uninsulated
Operating Temperature Range	170 °C[338 °F]

Packaging Features

Packaging Quantity	1000
Packaging Method	Loose Piece

Product Compliance

[For compliance documentation, visit the product page on TE.com>](#)

EU RoHS Directive 2011/65/EU	Compliant
EU ELV Directive 2000/53/EC	Compliant
China RoHS 2 Directive MIIT Order No 32, 2016	No Restricted Materials Above Threshold
EU REACH Regulation (EC) No. 1907/2006	Current ECHA Candidate List: JAN 2024 (240) Candidate List Declared Against: JAN 2024 (240) Does not contain REACH SVHC
Halogen Content	Low Halogen - Br, Cl, F, I < 900 ppm per homogenous material. Also BFR/CFR/PVC Free
Solder Process Capability	Not applicable for solder process capability

Product Compliance Disclaimer

This information is provided based on reasonable inquiry of our suppliers and represents our current actual knowledge based on the information they provided. This information is subject to change. The part numbers that TE has identified as EU RoHS compliant have a maximum concentration of 0.1% by weight in homogenous materials for lead, hexavalent chromium, mercury, PBB, PBDE, DBP, BBP, DEHP, DIBP, and 0.01% for cadmium, or qualify for an exemption to these limits as defined in the Annexes of Directive 2011/65/EU (RoHS2). Finished electrical and electronic equipment products will be CE marked as required by Directive 2011/65/EU. Components may not be CE marked. Additionally, the part numbers that TE has identified as EU ELV compliant have a maximum concentration of 0.1% by weight in homogenous materials for lead, hexavalent chromium, and mercury, and 0.01% for cadmium, or qualify for an exemption to these limits as defined in the Annexes of Directive 2000/53/EC (ELV). Regarding the REACH Regulation, the information TE provides on SVHC in articles for this part number is based on the latest European Chemicals Agency (ECHA) 'Guidance on

requirements for substances in articles' posted at this URL: <https://echa.europa.eu/guidance-documents/guidance-on-reach>

Compatible Parts



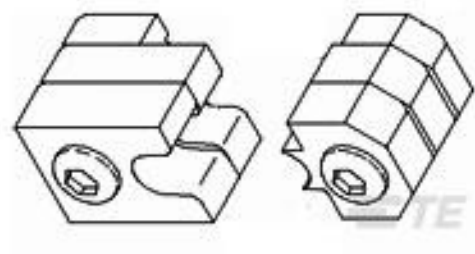
TE Part # 58545-1
SOLISTRAND 10-22 DIE ASSY



TE Part # 49935
DAHT SOLIS 22-10 ASSY



TE Part # 525693
DAHT SOLIS 22-10 ASSY



TE Part # 47812
DIES SOLIS 22-16 DIE SET



TE Part # 169400
CERTI-LOK FRAME W/O DIES

Customers Also Bought



TE Part # 66507-4
HD 20 DF PIN PLTD



TE Part # 322777
PIDG SPDFLG 22-16COMM22-18MIL6



TE Part # 321884
TERM, STRAT,SOLIS, HT, 22-16, #4



TE Part # 321896
SOLIS R HT 22-16COM22-18MIL 10



TE Part # 160181-2
RING TONGUE IS 3.1-5.3 MM2 TPBR



TE Part # 1-66563-1
III+ SKT,24-20,TIN,STRIP



TE Part # NB07892001
HTAT-32/8-0-STK



TE Part # 928930-1
FF 110 TAB 0.5-1 MM2 .080 F SSP CUZN30



Documents

Product Drawings

[SOLIS 22-16 WIRE PIN, SHORT](#)

English

CAD Files

[3D PDF](#)

3D

Customer View Model

[ENG_CVM_CVM_165140_G.2d_dxf.zip](#)

English

Customer View Model

[ENG_CVM_CVM_165140_G.3d_igs.zip](#)

English

Customer View Model

[ENG_CVM_CVM_165140_G.3d_stp.zip](#)

English

By downloading the CAD file I accept and agree to the [Terms and Conditions](#) of use.

Agency Approvals

[CSA Certificate](#)

English

[CSA Certificate](#)

English