

131332 ✓ ACTIVE



PIDG

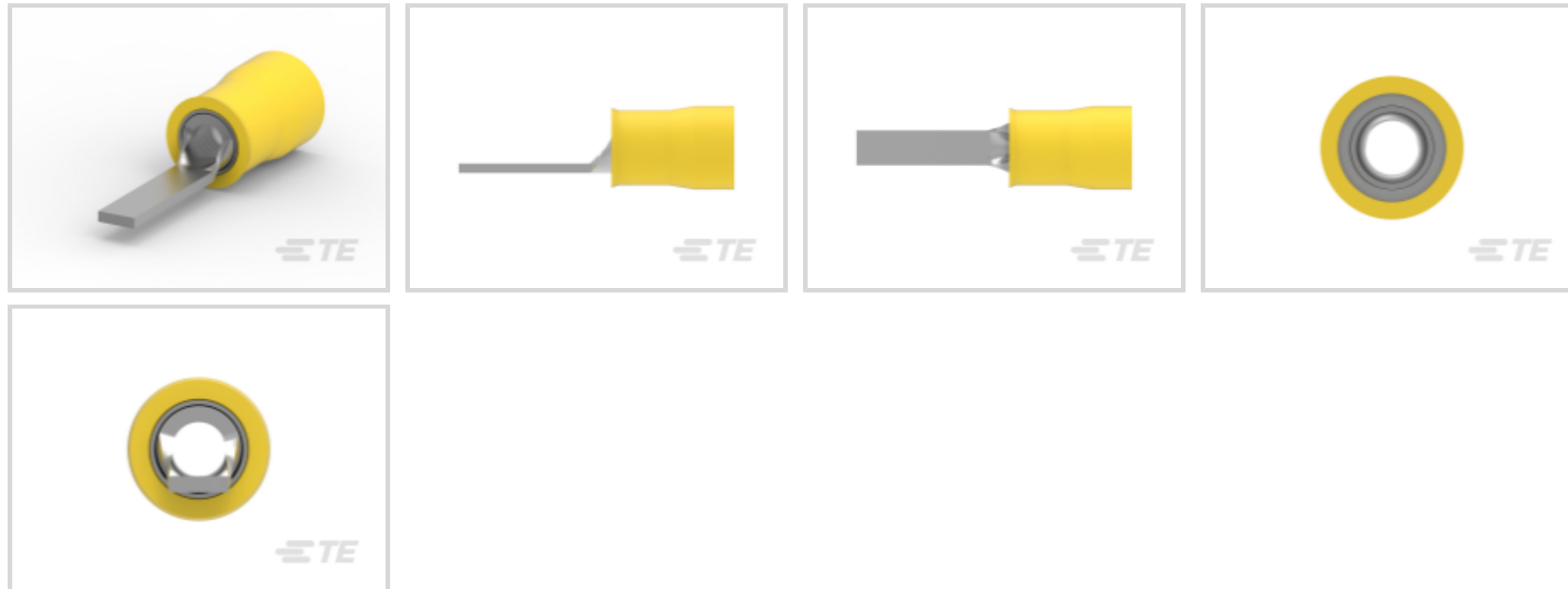
TE Internal #: 131332

Crimp Wire Pins, Tabs & Ferrules, Tab, Mating Tab Width .16 in [4.06 mm], Mating Tab Thickness 1.02 mm [.04 in], 12 - 10 AWG

Wire Size, PIDG

[View on TE.com >](#)

Terminals & Splices > Crimp Wire Pins, Tabs & Ferrules > PIDG Pre-Insulated Diamond Grip Tabs



Crimp Wire Terminal Type: Tab

Mating Tab Width: 4.06 mm [.16 in]

Mating Tab Thickness: 1.02 mm [.04 in]

Compatible Insulation Diameter Range: 3.8 - 6.4 mm, 6.4 mm [.149 - .251 in, .25 in]

Wire Size: 12 - 10 AWG

[All PIDG Pre-Insulated Diamond Grip Tabs \(8\)](#)

Features

Product Type Features

Sealable	No
Compatible With Discrete Wire Type	Solid, Stranded
Wire Insulation Support Retention Type	Insulation Support

Configuration Features

Compatible With Wire & Cable Type	Discrete Wire
-----------------------------------	---------------

Body Features

Sleeve Material	Copper
Sleeve Plating Material	Tin
Insulation Material	Nylon
Primary Product Color	Yellow

Contact Features

Contact Mating Area Length	12.4 mm[.487 in]
----------------------------	------------------

Crimp Wire Terminal Type	Tab
Mating Tab Width	4.06 mm[.16 in]
Mating Tab Thickness	1.02 mm[.04 in]
Barrel Type	Closed
Terminal Plating Material	Tin
Terminal Orientation	Straight

Mechanical Attachment

Wire Insulation Support	With
-------------------------	------

Dimensions

DIN Wire Size	2.5 - 6 mm ²
Compatible Insulation Diameter Range	3.8 - 6.4 mm, 6.4 mm[.149 - .251 in][.25 in]
Wire Size	5180 - 13100 CMA
Barrel Inside Diameter	6.4 mm[.253 in]
Terminal Material Thickness	1 mm[.039 in]
Overall Product Length	29.21 mm[1.15 in]

Usage Conditions

Insulation Option	Partially Insulated
Operating Temperature Range	105 °C[221 °F]

Packaging Features

Packaging Quantity	500
Packaging Method	Loose Piece

Product Compliance

[For compliance documentation, visit the product page on TE.com>](#)

EU RoHS Directive 2011/65/EU	Compliant
EU ELV Directive 2000/53/EC	Compliant
China RoHS 2 Directive MIIT Order No 32, 2016	No Restricted Materials Above Threshold
EU REACH Regulation (EC) No. 1907/2006	Current ECHA Candidate List: JAN 2024 (240) Candidate List Declared Against: JAN 2024 (240) Does not contain REACH SVHC
Halogen Content	Low Halogen - Br, Cl, F, I < 900 ppm per homogenous material. Also BFR/CFR/PVC Free

Solder Process Capability

Not applicable for solder process capability

Product Compliance Disclaimer

This information is provided based on reasonable inquiry of our suppliers and represents our current actual knowledge based on the information they provided. This information is subject to change. The part numbers that TE has identified as EU RoHS compliant have a maximum concentration of 0.1% by weight in homogenous materials for lead, hexavalent chromium, mercury, PBB, PBDE, DBP, BBP, DEHP, DIBP, and 0.01% for cadmium, or qualify for an exemption to these limits as defined in the Annexes of Directive 2011/65/EU (RoHS2). Finished electrical and electronic equipment products will be CE marked as required by Directive 2011/65/EU. Components may not be CE marked. Additionally, the part numbers that TE has identified as EU ELV compliant have a maximum concentration of 0.1% by weight in homogenous materials for lead, hexavalent chromium, and mercury, and 0.01% for cadmium, or qualify for an exemption to these limits as defined in the Annexes of Directive 2000/53/EC (ELV). Regarding the REACH Regulation, the information TE provides on SVHC in articles for this part number is based on the latest European Chemicals Agency (ECHA) 'Guidance on requirements for substances in articles' posted at this URL: <https://echa.europa.eu/guidance-documents/guidance-on-reach>

Compatible Parts



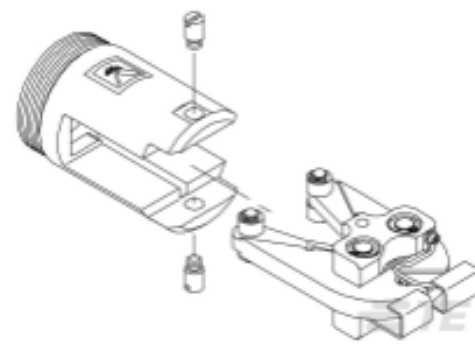
TE Part # 59824-1
TETRA-CRIMP PIDG PG FASTON 22-10 ASSY



TE Part # 58433-3
PRO CR ASSY, RBY IS9252



TE Part # 58423-1
DIE, RBY IS9252



TE Part # 679300-1
1210 PIDG CRIMP HEAD



TE Part # 59239-4
HHHT PIDG PG 12-10 ASSY



TE Part # 539691-2
ERGO DIE R.B.Y



TE Part # 47808-6
DIES PIDG 12-10 DIE SET



TE Part # 169400
CERTI-LOK FRAME W/O DIES



TE Part # 169404
CERTI-LOK DIE



TE Part # 1SET191002R0000
TET CRIMP-HT

Also in the Series | **PIDG**



Compression Connectors(17)



Crimp Wire Pins, Tabs & Ferrules(41)



Hand Crimping Tools(2)



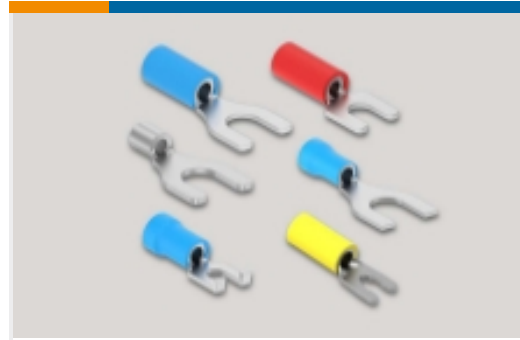
Knife Disconnects(11)



Quick Disconnects(32)



Ring Terminals(589)



Spade Terminals(228)



Special Purpose Terminals(1)



Splices(40)

Customers Also Bought



TE Part # 1SET411023R0000
WD-1-DP-GR8080



TE Part # 1-1415526-1
PT78742



TE Part # 1-1825002-4
ADF08T04=DIP SWT,FLUSH,THRU/HL



TE Part # 7-1415003-1
PT570S15



TE Part # 4-1625890-6
2W SM M/OX 5% 39R



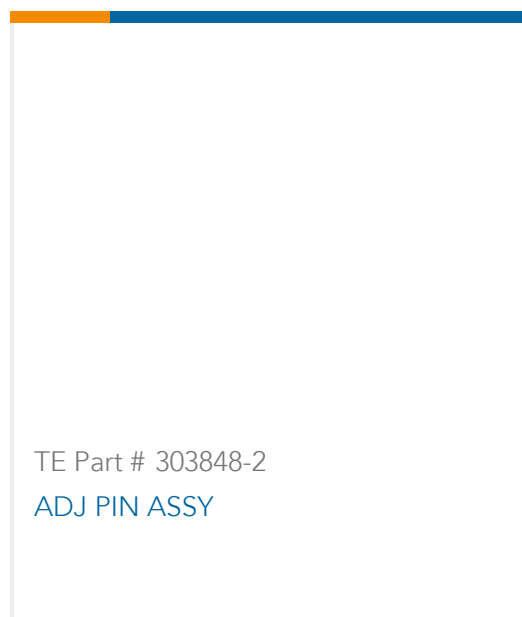
TE Part # 674655
DAHT FASTON 22-14 ASSY



TE Part # 481803-000
CWT-3807



TE Part # 879658-000
ST63-3-00



Documents

Product Drawings

[TERM, TAB, PIDG, 12-10](#)

English

CAD Files

[3D PDF](#)

3D

Customer View Model

[ENG_CVM_CVM_131332_F.2d_dxf.zip](#)

English

Customer View Model

[ENG_CVM_CVM_131332_F.3d_igs.zip](#)

English

Customer View Model

[ENG_CVM_CVM_131332_F.3d_stp.zip](#)

English

By downloading the CAD file I accept and agree to the [Terms and Conditions](#) of use.

Datasheets & Catalog Pages

[PIDG TERMINALS & SPLICES Quick Reference Guide](#)

English