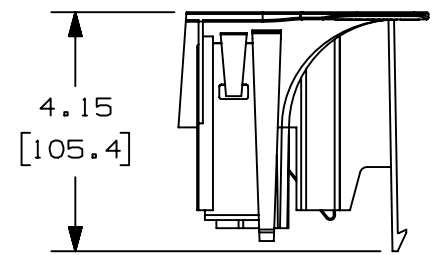
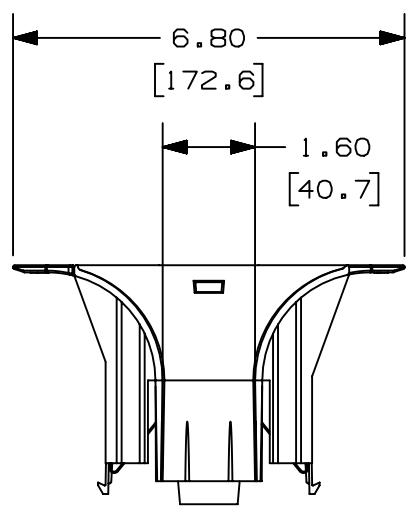
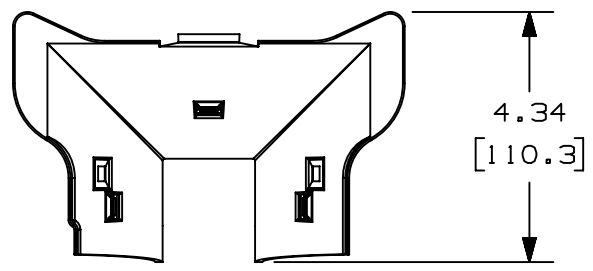


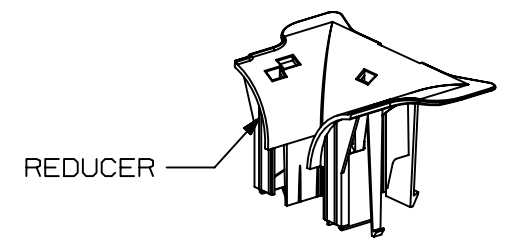
THIS COPY IS PROVIDED ON A RESTRICTED BASIS AND IS NOT TO BE USED IN ANY WAY DETRIMENTAL TO THE INTERESTS OF PANDUIT CORP.

NOTES:

1. SEE CURRENT CATALOG FOR ADDITIONAL PART SUFFIXES TO INDICATE PACKAGE QUANTITY.
2. THE FIBERRUNNER 4-2 LOW PROFILE REDUCER IS DESIGNED WITH A MINIMUM 2" (50.8) BEND RADIUS TO PROTECT FIBER OPTIC CABLES.
3. THE FIBERRUNNER 4-2 LOW PROFILE REDUCER ALLOWS FOR FIBER-DUCT 2x2 SOLID OR SLOTTED WALL CHANNEL OR FIBERRUNNER 2x2 HINGED OR HINGED SLOTTED CHANNEL TO BE INSTALLED INTO THE VERTICAL EXIT OF THE FIBERRUNNER 4x4 OR FIBERRUNNER 6x4 QUICKLOCK VERTICAL TEE.
4. DIMENSION IN PARENTHESES ARE IN METRIC.
5. PARTS SUPPLIED:
(1) - REDUCER



PANDUIT PART NUMBER	WEIGHT	MATERIAL
FRLPR42BL	0.37 LB/EACH (167g/EACH)	ABS
FRLPR42LBL	0.37 LB/EACH (167g/EACH)	PC/ABS



TITLE		FIBERRUNNER 4-2 LOW PROFILE REDUCER (FRLPR42BL, FRLPR42LBL)	
ITEM REVISION NAME		CUSTOMER DRAWING	
DATASET FILE NAME		D37847DH/02	PANDUIT
		D37847DH_DC/01C	
DRAWING NUMBER:		SEE PART NUMBER TABLE ABOVE	
DRAWING NUMBER:		37847-75	
THIRD ANGLE PROJECTION			
DRAWN BY	DATE	CHK	SCALE
JHNU	7/30/01	HIW	NONE
SHT 1 OF 1		A	

02B	9/2/20	MEX-JAGC	DWR	DWR	ADDED PART NUMBER UPDATED DRAWING BORDER & TITLE BLOCK	V09002DZ/11
REV	DATE	BY	CHK	APR	DESCRIPTION	ECN