

4

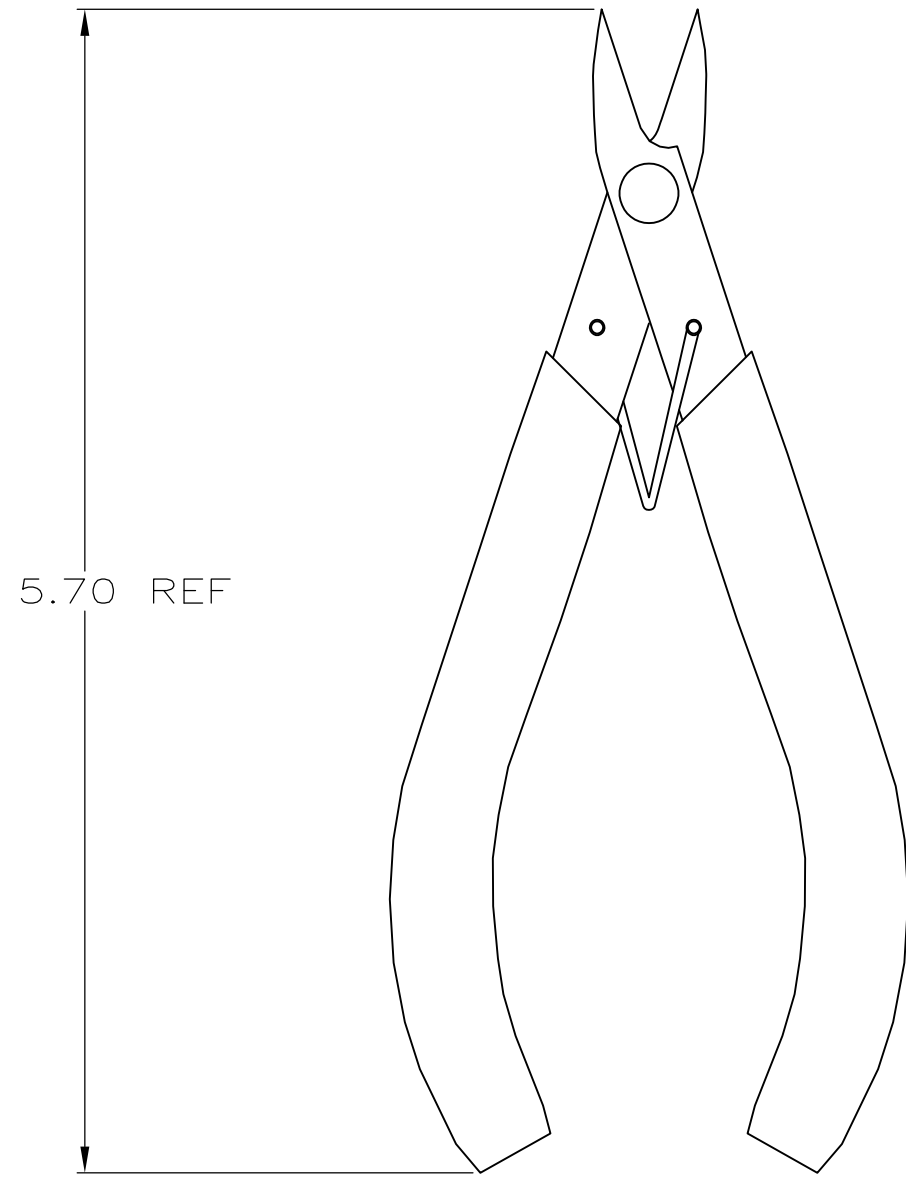
3

2

1


THIS DRAWING IS UNPUBLISHED.      RELEASED FOR PUBLICATION      - , - .  
 © COPYRIGHT - By -      ALL RIGHTS RESERVED.

LOC	DIST	REVISIONS					
CE	16	P	LTR	DESCRIPTION	DATE	DWN	APVD
			A	ECO-13-012636	08AUG2013	JM	TE



1. TOOL NOT INTENDED TO CUT COAXIAL, TWISTED PAIR OR OTHER COMMUNICATION OR ELECTRICAL CABLES.

1278637-1  
 PART NUMBER

THIS DRAWING IS A CONTROLLED DOCUMENT.		DWN J.P.MARSHALL 21APR99	 TE Connectivity			
DIMENSIONS: mm		CHK D.D.ERDMAN 21APR99				
TOLERANCES UNLESS OTHERWISE SPECIFIED:		APVD S.BUCHTER 21APR99	NAME ARAMID YARN SHEARS			
0 PLC ± - 1 PLC ± - 2 PLC ± - 3 PLC ± - 4 PLC ± - ANGLES ± -		PRODUCT SPEC -	APPLICATION SPEC -			
MATERIAL -	FINISH -	WEIGHT -	SIZE A3	CAGE CODE 00779	DRAWING NO C-1278637	RESTRICTED TO -
CUSTOMER DRAWING			SCALE 1:1	SHEET 1 OF 1	REV A	