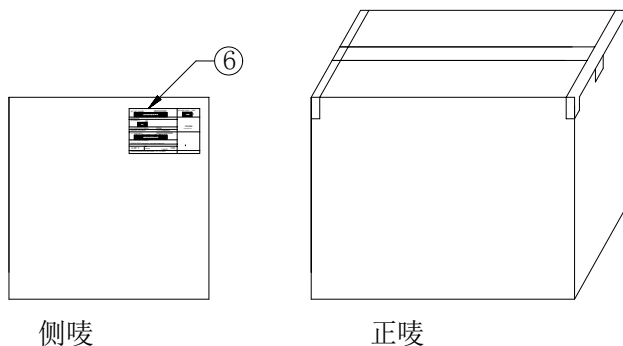
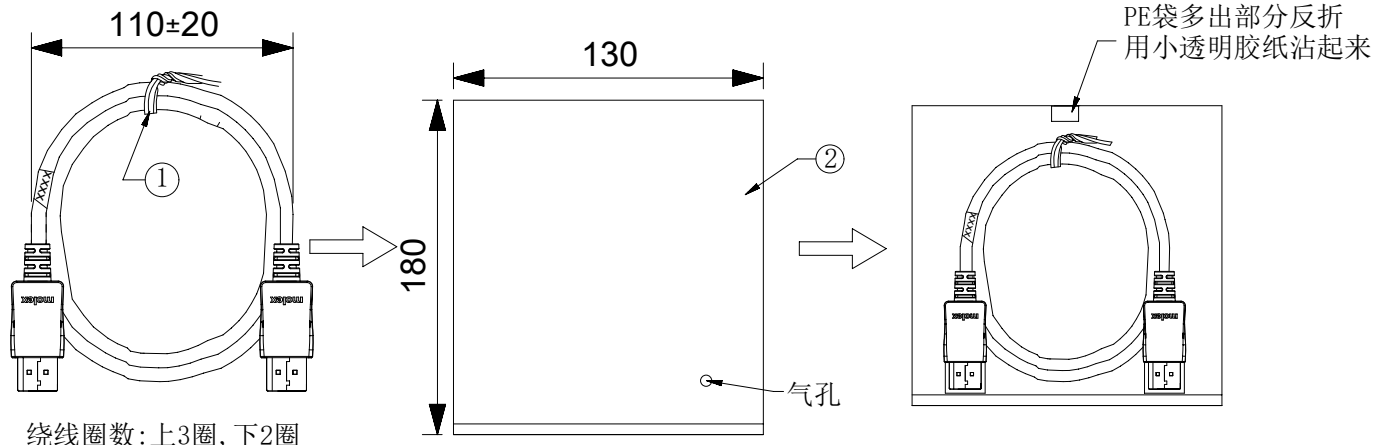


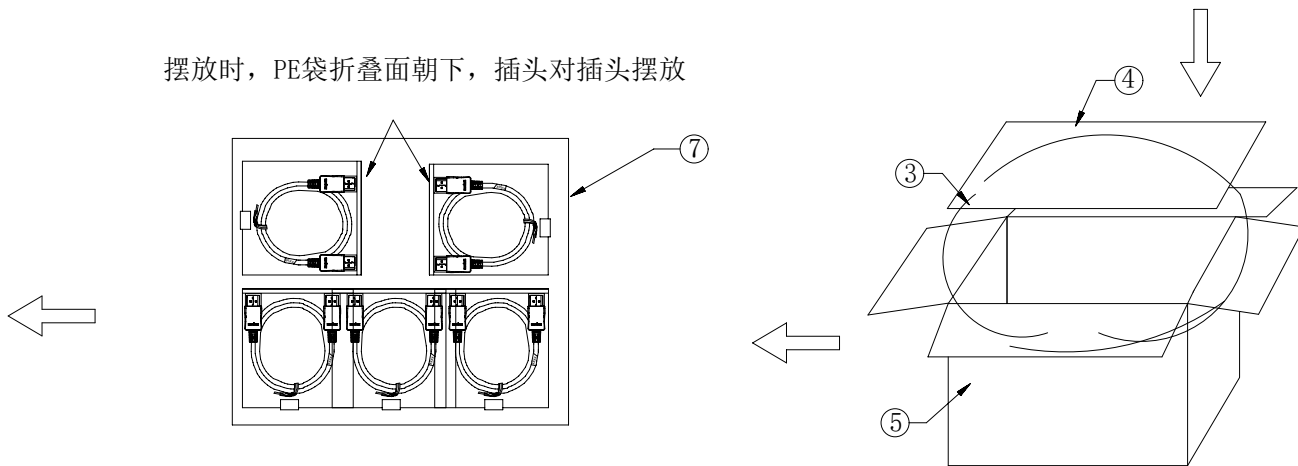
REVISIONS				
EC NO	DATE	REV	DESCRIPTION	CHANGER
NA	2021/11/01	C	ADD DUST COVER TO THE PACKAGING DRAWING	ZYLI02
NA	2021/12/17	D	CHANGE THE SPECIFICATION OF WATERPROOF BAG AND PACKING MODE	ZYLI02

装箱方式:

1. 将检验好的产品装上防尘盖, 如右图扎线
2. 将扎好的产品单条装入PE袋内, PE袋多出部分反折用小透明胶纸沾起来;
3. 先在箱内放一个防水袋和一块隔板, 将产品整齐摆放于箱内, 30PCS一层, 层与层之间用隔板隔开, 一箱装60PCS, 放一包干燥剂, 最上面一层再放一块隔板;
4. 将防水袋折叠好, 用透明胶纸封口
5. 用封箱胶纸以工字型封箱;
6. 在外箱其中一侧棱右上角贴一出货标签
7. 外箱贴UL标签.



摆放时, PE袋折叠面朝下, 插头对插头摆放



7	干燥剂	干燥剂	1/60	PCS
6	标签	空白铜版白贴纸:L127*W76mm	1/60	PCS
5	纸箱	纸箱: L385*W285*H200mm 材质(K=K) 红色印字	1/60	PCS
4	隔板	隔板: 368*270*3mm 材质(B33)	3/60	PCS
3	防水袋	L660*W610*T0.04mm (660mm为开口方)	1/60	PCS
2	PE袋	L180mm*W130mm*0.08mm (130mm为开口方) 无印字有气孔	1	PC
1	扎带	椭圆形PE, 黑色有芯扎带 L=80mm	1	PC
NO	PART NAME	DESCRIPTION	Q' TY	UNIT

FUNCTIONAL SYMBOLS	THIS DRAWING CONTAINS INFORMATION THAT IS PROPRIETARY TO MOLEX ELECTRONIC TECHNOLOGIES, LLC AND SHOULD NOT BE USED WITHOUT WRITTEN PERMISSION				
	DIMENSION UNITS	SCALE	CURRENT REV DESC:		
$\nabla = 0$	mm	1:1	EC NO: 689412		
$\nabla = 0$	GENERAL TOLERANCES (UNLESS SPECIFIED)		DRWN: ZYLI02 2021/12/17		
$\nabla = 0$	ANGULAR TOL ± °		CHK'D: ZYLI02 2021/12/17		
DIVISIONAL SYMBOLS	4 PLACES ±	±	APPR: CLAN01 2021/12/17		
	3 PLACES ±	±	INITIAL REVISION:		
	2 PLACES ±	±	DRWN: DLI50 2018/12/21		
	1 PLACE ±	±	APPR: CLAN01 2018/12/21		
	0 PLACES ±	±	DRAFT WHERE APPLICABLE MUST REMAIN WITHIN DIMENSIONS		
THIRD ANGLE PROJECTION		DRAWING	SERIES	MATERIAL NUMBER	CUSTOMER
		A4-SIZE	68783	687830078	
DOCUMENT STATUS			RELEASE DATE	SHEET NUMBER	
P1			2021/12/17 04:04:45	1 OF 1	

DISPLAYPORT TO DISPLAYPORT 1.3 1M W LATC

PACKAGING DESIGN DRAWING

DOCUMENT NUMBER: 687830078

DOC TYPE: PDD | DOC PART: PK | REVISION: D