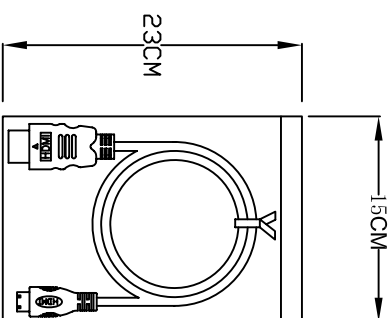
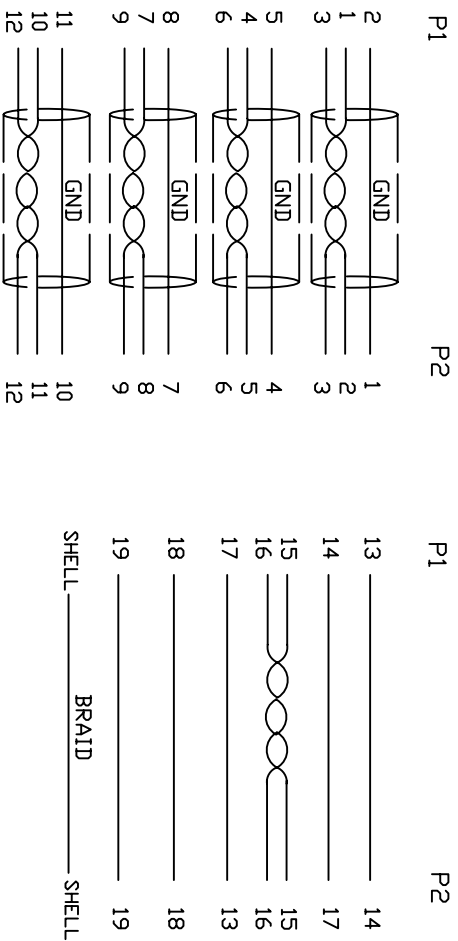


1. Wiring Diagram.



2. Cable test condition :

Open / Short : 100%

Insulation resistance : 5M ohms

Contact resistance : 2 ohm

Hipot : DC 300V / 1 sec

3. Each pcs with PE polybag.

7	COPPER	W25MM*W1.45MM	1	
6	COPPER	W20MM*W1.35MM	1	
5	PVC	45P PVC BLACK OVERMOLD	25g	
4	PE	LLDPE 500026 6201 INSIDE MOLDING	16g	
3	CONN	HDMI C TYPE MALE PIN G/F ,SHELL PLATED NICKEL, INSULATION BLACK	1	P2
2	CONN	HDMI A TYPE MALE PIN G/F ,SHELL PLATED NICKEL, INSULATION BLACK	1	P1
1	CABLE	UL20276 《30AWG (7/0.1TS) *1P+EA+AL/MY》 *4+30AWG (7/0.1TS) *3C +AEM(16/6/0.12AM) OD6.0 BLACK	1	2000mm
NO.	PART NO.	DESCRIPTION	QTY	UNIT/REF

BILL OF MATERIAL

Cnc Tech, LLC

HDMI A/M TO HDMI C/M CABLE

INITIAL RELEASE DATE: 2017/7/26

REVISION# DESCRIPTION DATE

DRAWN: EDWIN LAH DATE: 07/26/17

CHECKED: Winc CUSTOMER: DATE: 07/26/17

APPROVAL SHEET 1 OF 1

