

Specifications:

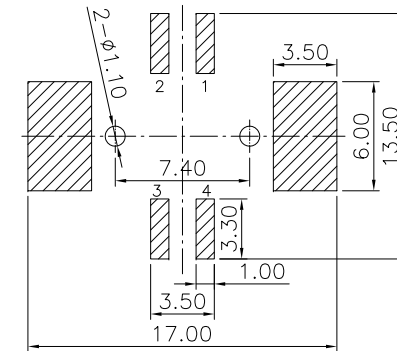
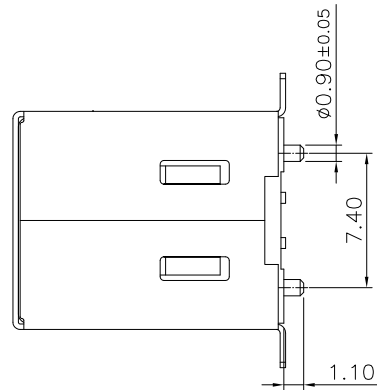
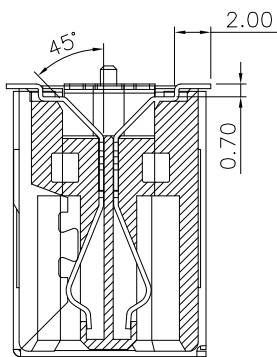
Current Rating:1.0A AC/DC
 Voltage Rating:30V AC/DC
 Contact Resistance:20m ohm.Max.
 Insulation Resistance:1000M ohm.Min.
 Withstanding Voltage:750V AC/Minute
 Operating Temperature Range:-40°C To +105°C

Material and Finish:

Insulator:Nylon6T(UL94V-0)
 Contact:Phosphor Bronze
 Plating:Gold Plated on Contact Area,
 Tin Plated on Solder Tail.
 Shell:Brass, Nickel plated


How To Order

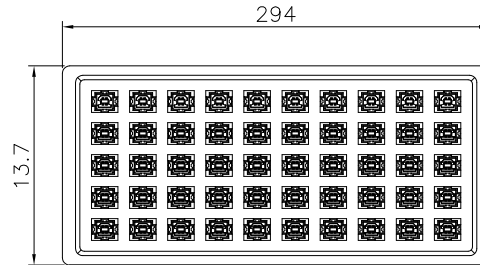
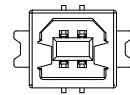
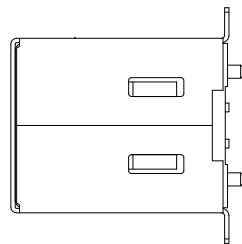
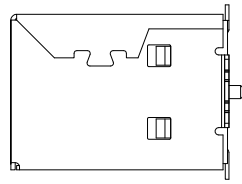
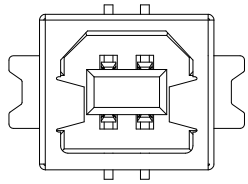
USB-B1SMVSXX
 6: Gold Flash
 8: 30u: Gold
 B: Black
 W: White



P.C.B Layout

RoHS Compliant

F				DRAWN:	Leo	GENERAL TOLERANCE:	 ON-SHORE TECHNOLOGY, INC.	DESCRIPTION:	SIZE
E				CHECKED:	Jeremy Liu	.X=±0.20 .XX=±0.15			
D						UNIT: MM		USB B Type PCB Female Straight, SMT	D
C	10-APR-2020	□□□□□	Lisy			SCALE:			
B	25-JUN-2009	ECN-CN090619	WXY	APPROVAL:		SHEET: 1/2	PART NO:	USB-B1SMVSXX	D
A	23-JUL-2008		Leo		Mike Wu	PROJECTION:			
REV	DATE	FILE	BY						



Note:

1.Dimension:

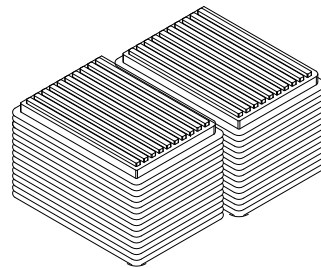
Tray Size: 294(L)X137(W)X17(H) (mm)

Carton Size:320X290X380(mm)

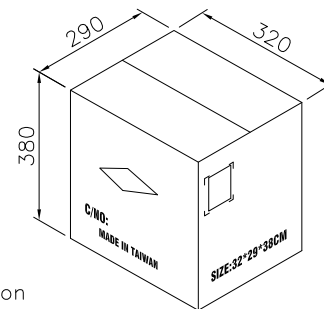
2.Quantity:

30 Tray/Carton

Pin.	Pcs/Tray	Tray/Carton	Pcs/Carton
04	50	30	1500




30 Trays



Carton

RoHS Compliant

F				DRAWN:	GENERAL TOLERANCE:	 ON-SHORE TECHNOLOGY, INC.	
E				Leo	.X=±0.20 .XX=±0.15		
D				CHECKED:	UNIT: MM	DESCRIPTION: USB B Type PCB Female Straight Tray Packing List	
C	10-APR-2020	□ □ □ □ □	Lisy	Jeremy Liu	SCALE:		
B	25-JUN-2009	ECN-CN090619	WXY	APPROVAL:	SHEET: 2/2	PART NO: USB-B1SMVSXX	
A	23-JUL-2008		Leo	Mike Wu	PROJECTION:		
REV	DATE	FILE	BY				SIZE