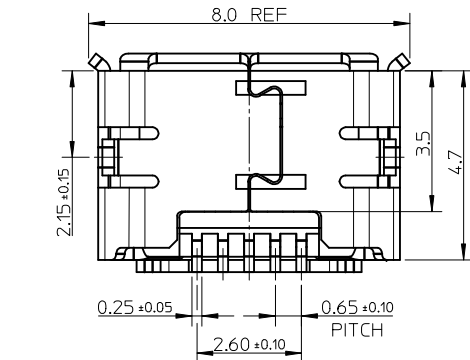
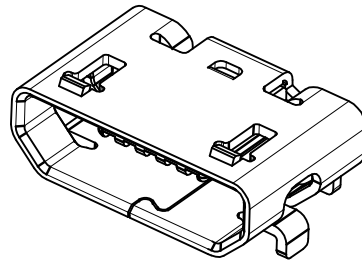
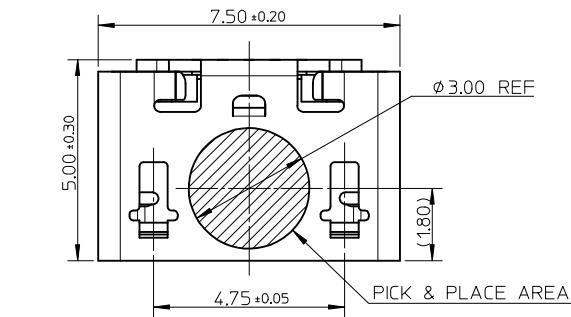


RECOMMENDED P.C.B. PATTERN LAYOUT
GENERAL TOLERANCE: ± 0.05



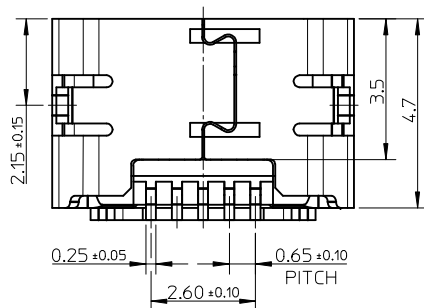
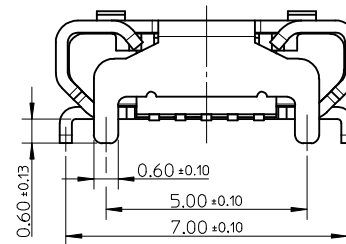
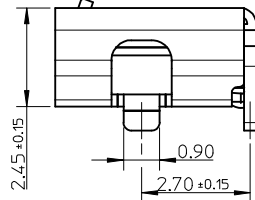
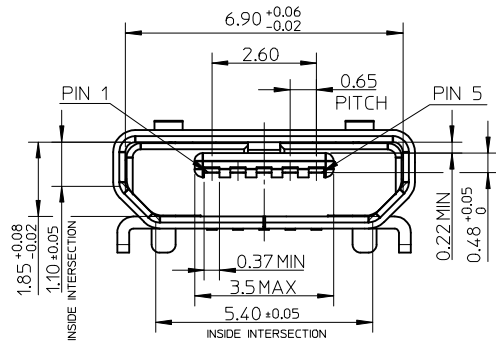
- NOTES:
- MATERIAL:
HOUSING: LCP, BLACK, UL94V-0;
TERMINAL: COPPER ALLOY, THICKNESS: 0.15mm;
SHELL: STAINLESS STEEL, THICKNESS: 0.30mm.
 - PLATING:
TERMINAL: CONTACT AREA: GOLD FLASH OVER MINIMUM 0.75MICRON Pd/Ni.
SOLDER TAIL AREA: GOLD FLASH.
UNDER PLATING: NICKEL 2.0 MICRON MINIMUM.
SHELL: MATTE TIN 2.0 MICRON
UNDER PLATING: NICKEL 1.27 MICRON MINIMUM.
 - TAIL & NAIL COPLANARITY 0.08mm MAXIMUM.
 - PRODUCT SPECIFICATION: PS-105017-001.
 - PACKAGING SPECIFICATION: PK-105017-001.
 - COMPLIANT TO RoHS DIRECTIVE 2002/95/EC AND ELV DIRECTIVE 2000/53/EC.

REVISED EC NO: SH2013-0168 DRAWN: XQZHANG CHKD: XQZHANG APPR: AYIN	DESCRIPTION 2012/12/04 2012/12/04 2012/12/10	QUALITY SYMBOLS	GENERAL TOLERANCES (UNLESS SPECIFIED)		DIMENSION STYLE		SCALE	DESIGN UNITS	THIRD ANGLE PROJECTION		
			mm	INCH	MM ONLY		1:1	METRIC			
		F ₀	4 PLACES ± --- ± ---		DRAWN BY	DATE	TITLE				
		F ₀	3 PLACES ± --- ± ---		XJSONG	2008/01/23	MICRO USB BOTTOM MOUNT RECEPTACLE, B TYPE				
F ₀	2 PLACES ± 0.25 ± ---		CHECKED BY	DATE							
		1 PLACE ± 0.25 ± ---		JTIAN	2008/01/23	molex					
		0 PLACE ± --- ± ---		APPROVED BY	DATE						
				HWWANG	2008/01/23	MATERIAL NO.		DOCUMENT NO.		SHEET NO.	
				ANGULAR ± 3 °		105017-0001		SD-105017-001		1 OF 2	
				DRAFT WHERE APPLICABLE MUST REMAIN WITHIN DIMENSIONS		THIS DRAWING CONTAINS INFORMATION THAT IS PROPRIETARY TO MOLEX INCORPORATED AND SHOULD NOT BE USED WITHOUT WRITTEN PERMISSION					



NOTES:

1. MATERIAL:
 HOUSING: LCP, BLACK, UL94V-0;
 TERMINAL: COPPER ALLOY, THICKNESS: 0.15mm;
 SHELL: STAINLESS STEEL, THICKNESS: 0.30mm.
2. PLATING:
 TERMINAL: CONTACT AREA: GOLD FLASH OVER MINIMUM 0.75MICRON Pd/Ni.
 SOLDER TAIL AREA: GOLD FLASH.
 UNDER PLATING: NICKEL 2.0 MICRON MINIMUM.
 SHELL: MATTE TIN 3.8 MICRON
 UNDER PLATING: NICKEL 1.27 MICRON MINIMUM.
3. TAIL & NAIL COPLANARITY 0.08mm MAXIMUM.
4. PRODUCT SPECIFICATION: PS-105017-001.
5. PACKAGING SPECIFICATION: PK-105017-001.
6. COMPLIANT TO RoHS DIRECTIVE 2002/95/EC AND ELV DIRECTIVE 2000/53/EC.



SEE SHEET 1 EC NO: SH2013-0168 TDRW: XQZHANG 2012/12/04 CHKD: XQZHANG 2012/12/04 APPR: AYIN 2012/12/10	QUALITY SYMBOLS F ₀ = 0 F ₀ = 0 F ₀ = 0	GENERAL TOLERANCES (UNLESS SPECIFIED)		DIMENSION STYLE MM ONLY		SCALE 1:1	DESIGN UNITS METRIC	THIRD ANGLE PROJECTION	
			mm	INCH	DRAWN BY	DATE	TITLE MICRO USB BOTTOM MOUNT RECEPTACLE, B TYPE FLANGELESS TYPE		
		4 PLACES	± ---	± ---	XJSONG	2008/01/23			
		3 PLACES	± ---	± ---	CHECKED BY	DATE	MATERIAL NO. 105017-1001		
2 PLACES	± 0.25	± ---	JTIAN	2008/01/23	DOCUMENT NO. SD-105017-001				
1 PLACE	± 0.25	± ---	APPROVED BY	DATE				SHEET NO. 2 OF 2	
0 PLACE	± ---	± ---	HWWANG	2008/01/23	THIS DRAWING CONTAINS INFORMATION THAT IS PROPRIETARY TO MOLEX INCORPORATED AND SHOULD NOT BE USED WITHOUT WRITTEN PERMISSION				
ANGULAR ± 3 °		DRAFT WHERE APPLICABLE MUST REMAIN WITHIN DIMENSIONS		SIZE A3					