

1

2

3

4

5

6

7

A

B

C

D

E

F

A

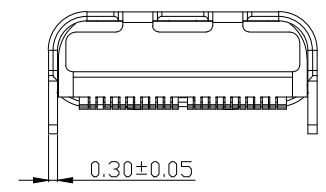
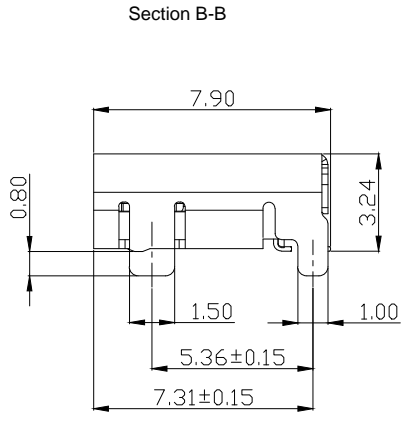
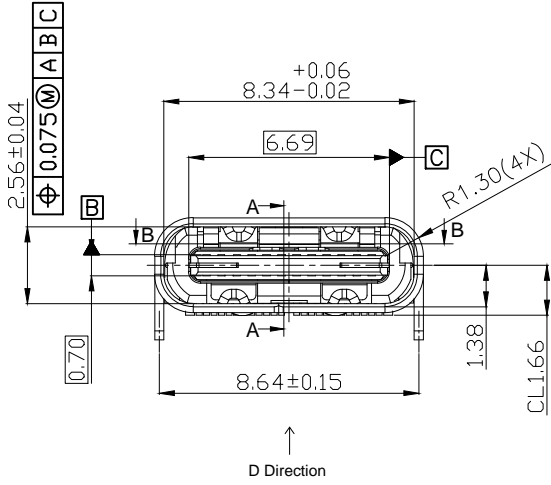
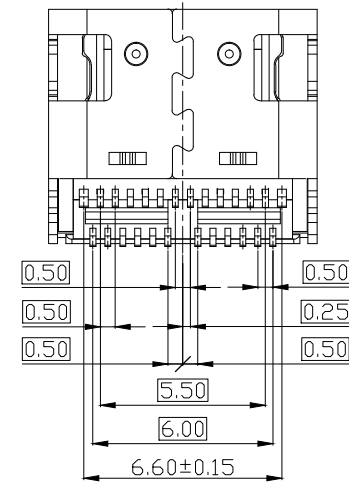
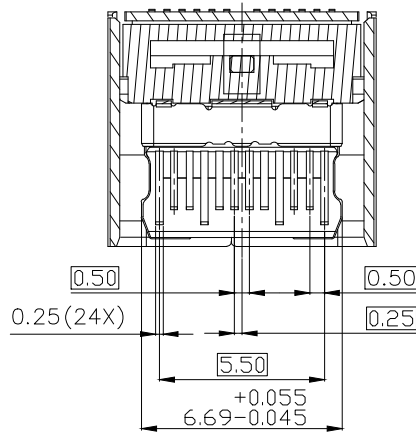
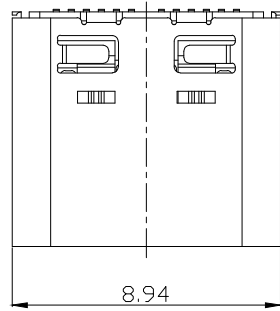
B

C

D

E

F



- NOTES:**
- MATERIAL**
    - Housing:LCP,UL94V-0,BLACK
    - Contact:C7025-TM02/C18400-R540,T=0.15mm
    - EMI Spring:SUS304-1/2H,T=0.10mm
    - Front Shell:SUS304-1/2H,T=0.30mm
    - Middle Blade:SUS304-H,T=0.15mm
  - FINISH**
    - Contact:Ni 50u" Min under plated over all, Au plated on the functional area of contact, Gold flash plated on solder area
    - EMI Spring:Cleaning only
    - Front Shell:Ni 50u" Min plated over all
    - Middle Blade:Ni 50u" Min under plated over all, Tin 120u" Min plated on solder area
  - ELECTRICAL:**
    - Current Rating: 5.0A for VBUS Pin (A4,A9 B4,B9),1.25A for GND Pin (A1,A12,B1,B12) 0.25A for other Pin
    - Voltage Rating: 30V
    - LLCR:VBUS & GND Pin and other Pin:40mΩ/Pin Max Shield:50mΩ Max LLCR Max Change of all Pin:10mΩ
    - Insulation Resistance: 100 Megohms Min
    - Dielectric Withstand Voltage:AC 100V For 1 MINUTE
  - MECHANICAL:**
    - Insertion Force: 5~20 N
    - Removal Force: 8~20 N from 1 to 1000 cycles 6~20 N from 1001 to 10000 cycles
    - Durability:10000 Cycles
  - ENVIRONMENTAL:**
    - Temperature Range: -30°C To +85°C
  - IR Reflow:the peak temperature on the board shall be maintained for 10 second at 260°C.
  - Packing: Tape & Reel (900Pcs/Reel)  
Order Code:A-USBC-32F2-EA-xSR05
    - G:Au-Flash
    - P:Au15u"
    - H:Au30u"

G

RoHS compliant  
unit:mm

Scale	Free
TOLERANCE	
.X	±0.38
.XX	±0.25
.XXX	±0.15
DIM	TOL
X.°	±2°
Angle	TOL

Drawn	06.27.2022	Peter
Id.	modification	Date
		Name

Date: 06.27.2022  
Name: Peter

Approved: 06.27.2022  
Name: Peter

Description: USB Type C  
24Pin / Right Angled / SMT

ASSMANN WSW-NO.  
**A-USBC-32F2-EA-xSR05**

Drawing-No. ASS 9417 CO rev00

Customer-No. SHEET 1 / 2

G

H

1

2

3

4

5

6

7

A

B

C

D

E

F

A

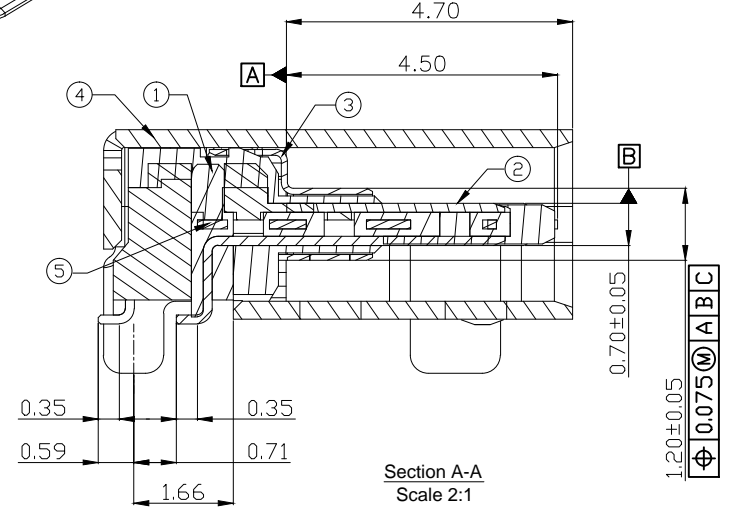
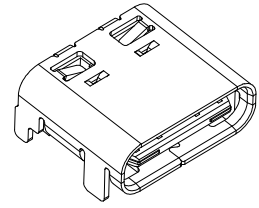
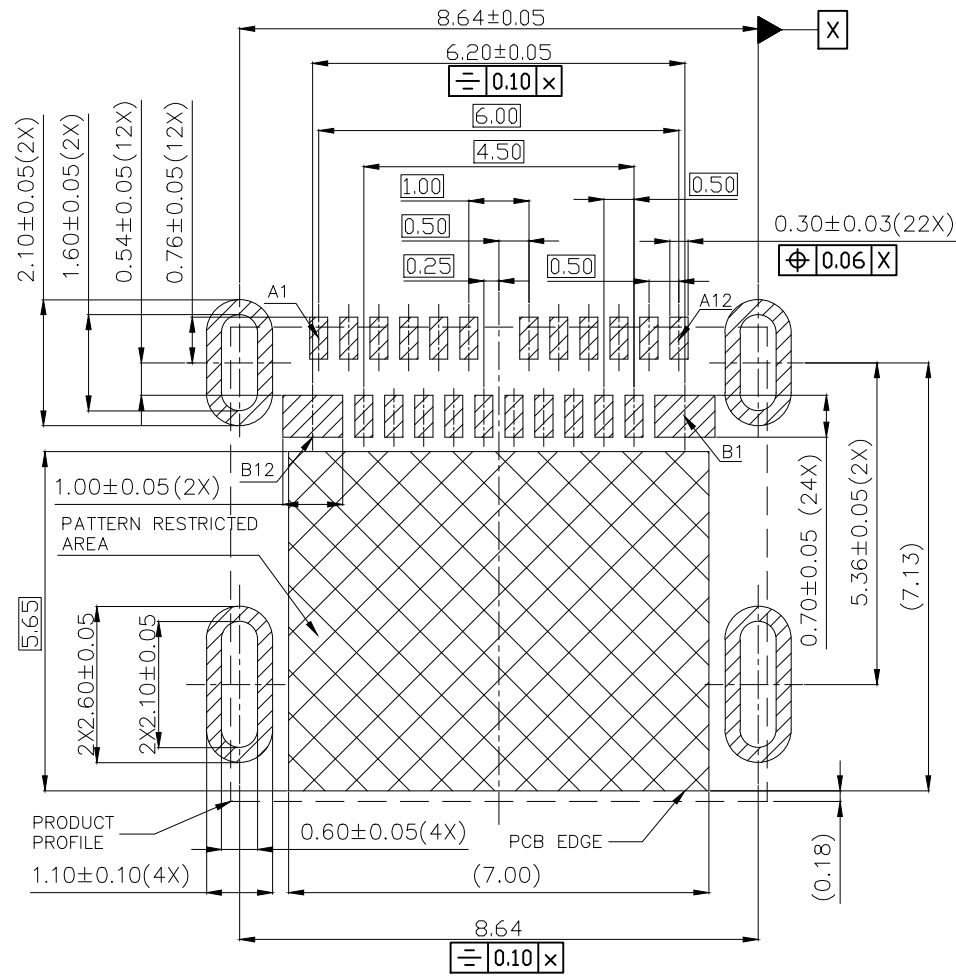
B

C

D

E

F



Section A-A  
Scale 2:1

Recommended P.C.B Layout (Top View)  
Default Tolerance:±0.05

PIN ASSIGNMENT

A1	A2	A3	A4	A5	A6	A7	A8	A9	A10	A11	A12
GND	TX1+	TX1-	VBUS	CC1	D+	D-	SBU1	VBUS	RX2-	RX2+	GND
GND	RX1+	RX1-	VBUS	SBU2	D-	D+	CC2	VBUS	TX2-	TX2+	GND
B12	B11	B10	B9	B8	B7	B6	B5	B4	B3	B2	B1

RoHS compliant  
unit:mm

Scale	Free
TOLERANCE	
.X	±0.38
.XX	±0.25
.XXX	±0.15
DIM	TOL
X.°	±2°
Angle	TOL

Drawn	06.27.2022	Peter	
Approved	06.27.2022	Peter	
Id.	modification	Date	Name



Date		Name		Description: USB Type C 24Pin / Right Angled / SMT	
Date		Name		ASSMANN WSW-NO. A-USBC-32F2-EA-xSR05	
Drawing-No.				rev00	
Customer-No.				SHEET 2 / 2	