

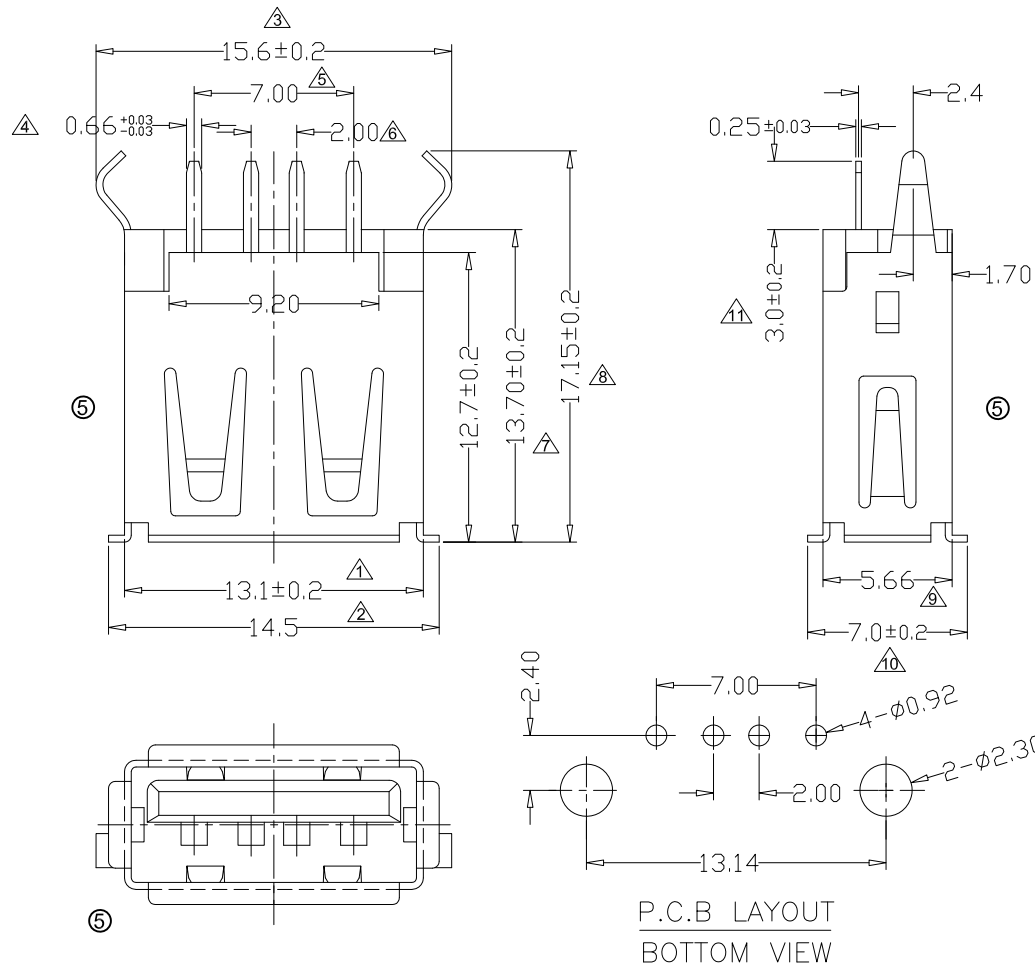
⑤ NOTES:

- 1.Material:
 - 1.1 Housing: UL94V-0, See Ordercode
 - 1.2 Shell: SPCC
 - 1.3 Contact :PHOSPHOR BRONZE
- 2. FINISH:
 - 2.1 Contact Area: Gold Plated, see Ordercode
 - Solder Area: Tin Plated
 - Under: Ni Plated
- 3.MECHANICAL:
 - 3.1 Mating Force:3.57kgf Max.
 - 3.2 Unmating Force:1.02kgf Min
 - 3.3 Durability:1500 cycles Min
- 4.ELECTRICAL:
 - 4.1 Current Rating:1.5A
 - 4.2 Dielectric Strength:500V AC FOR 1 MINUTE
 - 4.3 Contact Resistance:30mΩ Max
 - 4.4 Insulation Resistance:1000 MΩ Min
- 5.Operating temperature: -55°C TO +85°C
- 6.PACKIING: Tray

Ordercode ⑤

WSW PN	Plating	Insulator
A-USB A-TOP-C1	Gold selective tin	PBT+30%GF white
A-USB A-TOP-C	Gold selective tin	PBT+30%GF black
A-USB/2-A-TOP-C1	Gold 30μ" selective tin	PBT+30%GF white
A-USB/2-A-TOP-C	Gold 30μ" selective tin	PBT+30%GF black
A-USB A-TOP-C-THR1	Gold selective tin	LCP+30%GF white
A-USB A-TOP-C-THR	Gold selective tin	LCP+30%GF black
A-USB/2-A-TOP-C-THR1	Gold 30μ" selective tin	LCP+30%GF white
A-USB/2-A-TOP-C-THR	Gold 30μ" selective tin	LCP+30%GF black

③ **USB 2.0 COMPLIANT**



P.C.B LAYOUT
BOTTOM VIEW

RoHS compliant
Unit: mm

Scale	Free						Date	Name	Description: USB Connector
TOLERANCE	⑤	Update	27.05.2021	Luca	Drawn	26.04.2007	Hellwig	Female / 4pin / Vertical Type	
.X	±0.30	④	Update IR reflow graph on page 2	12.10.2016	Amy	Approved	27.05.2021	Luca	
.XX	±0.20	③	Add "USB 2.0 COMPLIANT"	19.08.2013	Amy				
.XXX	±0.10	②	Update	07.07.2009	Dean				
DIM	TOL	①	Drawn	26.04.2007	Hellwig				
X.°	±5°								
Angle	TOL								
UNIT	mm	Id.	Modification	Date	Name				

Description: USB Connector	
Female / 4pin / Vertical Type	
ASSMANN WSW-No.	
⑤ A-USB x A-TOP-Cx	
Drawing-No.	ASS 1370B CO rev05
Customer-No.	SHEET 1 / 1

