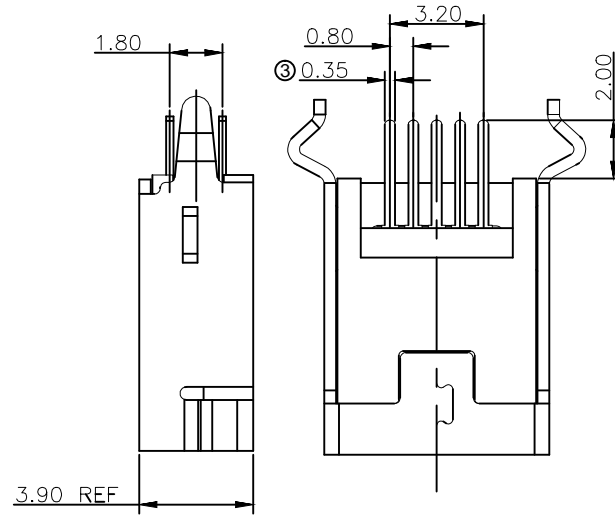
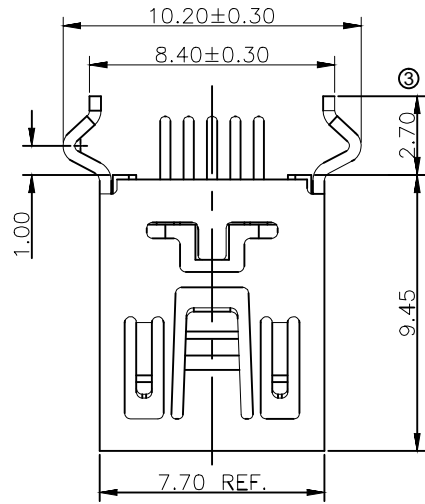
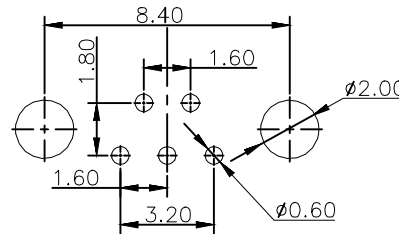
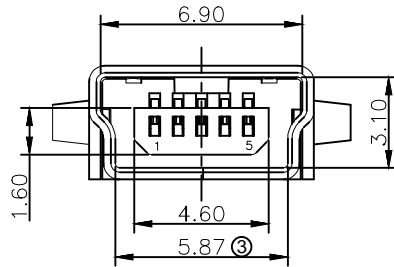


④ **USB2.0 COMPLIANT**



NOTES:

- 1. Material:
 - 1.1 Housing: LCP+30%GF UL94V-0, Color Black
 - 1.2 Shell: Brass
 - 1.3 Contact :Phosphor Bronze
- 2. FINISH:
 - 2.1 Contact Area: 15u" Au
 - Solder Area: Tin Plated
 - Under: Ni Plated
- 3. MECHANICAL:
 - 3.1 Mating Force: 3.57kgf Max.
 - 3.2 Unmating Force: 1.02kgf Min
 - 3.3 Durability: 1500 cycles Min
- 4. ELECTRICAL:
 - ④ 4.1 Current Rating: 1.8A Max
 - 4.2 Dielectric Strength: 500V AC FOR 1 MINUTE
 - 4.3 Contact Resistance: 50mΩ Max
 - 4.4 Insulation Resistance: 100 MΩ Min
- 5. Operating temperature: -55°C TO +85°C
- 6. PACKING:
 - A-USB B-M5-TOP = Tray
 - ⑤ A-USB B-M5-TOP2 = Tape&Reel



RECOMMENDED P.C.B LAYOUT
(T=1.00mm)

RoHS compliant

Scale	Free	⑥	Change current rating to 1.8A Max	04.05.2020	Luca		Date	Name	Customer-No.
TOLERANCE		⑤	New P/N with T&R packaging	15.08.2016	S.Bölling	Drawn	19.02.2007	Hellwig	ASSMANN WSW-No. A-USB B-M5-TOP A-USB B-M5-TOP2
X.X	±0.3	④	Update	19.08.2013	Winnie	Approved	04.05.2020	Luca	
X.XX	±0.20	③	Update	07.06.2013	Winnie				
X.XXX	±0.100	②	Update	07.07.2009	Stefanie				Drawing-No.
DIM	TOL	①	Drawn	19.02.2007	Hellwig			ASS 1243A CO rev06	
Angle	±1°	Id.	Modification	Date	Name			Replace	SHEET

1

2

3

4

5

6

7