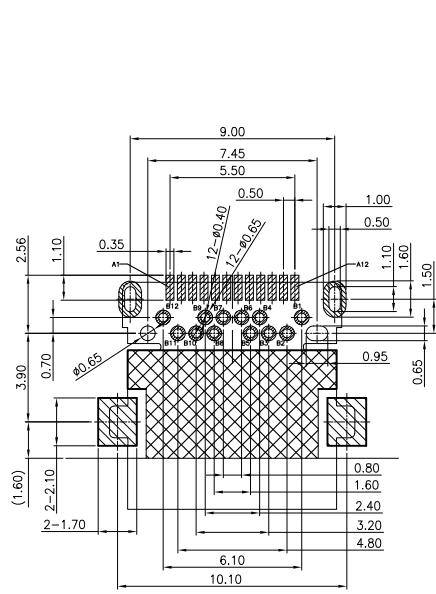
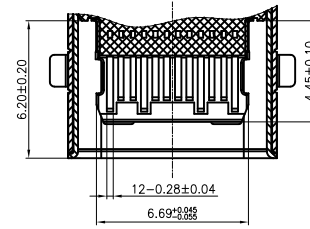
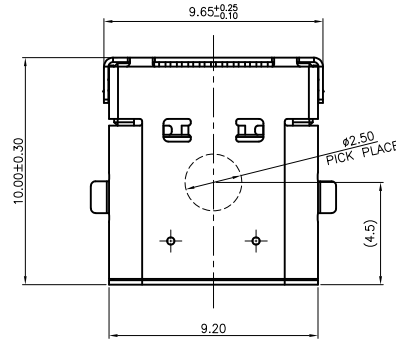


APPROVED: \_\_\_\_\_  
 DATE: \_\_\_\_\_ TITLE: \_\_\_\_\_

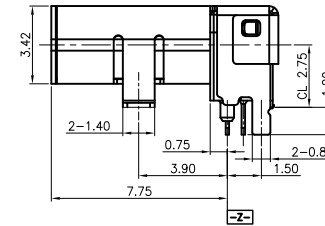
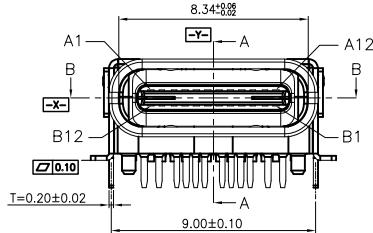
Rev	AWO #	Description	Date	Appr
-		RELEASED	10/25/18	
A		FIXED DIMENSION ON PCB LAYOUT	11/17/20	SS



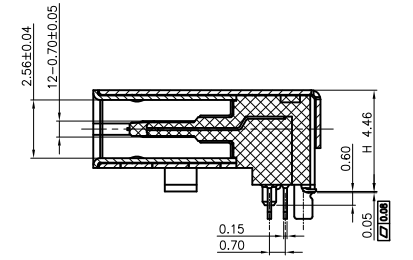
RECOMMEND P.C.B LAYOUT (COMPONENT SIDE)  
 TOLERANCE FOR PCB LAYOUT IS ± 0.05  
 ▨ PAD AREA    ▩ NO COPPER AREA  
 □ KEEP OUT AREA    ▤ GND PATTERN ONLY



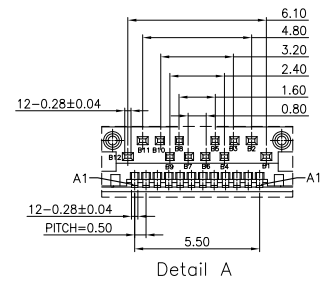
SECTION B-B



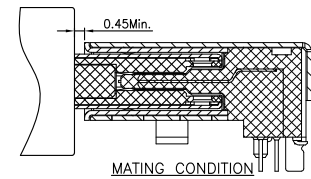
Pin	Signal Name	Mating Sequence	Pin	Signal Name	Mating Sequence
A1	GND	First	B12	GND	First
A2	SSTXp1	Second	B11	SSRXp1	Second
A3	SSTXn1	Second	B10	SSRXn1	Second
A4	V <sub>BS</sub>	First	B9	V <sub>BS</sub>	First
A5	CC1	Second	B8	SBU2	Second
A6	Dp1	Second	B7	Dn2	Second
A7	Dn1	Second	B6	Dp2	Second
A8	SBU1	Second	B5	CC2	Second
A9	V <sub>BS</sub>	First	B4	V <sub>BS</sub>	First
A10	SSRXn2	Second	B3	SSTXn2	Second
A11	SSRXp2	Second	B2	SSTXp2	Second
A12	GND	First	B1	GND	First
SHELL	GND		SHELL	GND	



SECTION A-A



Detail A



MATING CONDITION

**SPECIFICATIONS:**  
 Material:  
 Insulator: Hi-temp thermoplastic, rated UL 94V-0  
 Insulator color: Black  
 Contacts: Copper alloy  
 Shell: Stainless steel, Nickel plated  
 Cover shell: Copper alloy, Nickel plated  
 Inner ground cover shell: Stainless Steel, Clean  
 Mid plate: Stainless Steel, Clean  
 Plating:  
 Gold flash over Nickel underplate on contact area,  
 Matte Tin over Nickel underplate on solder tails.  
 Electrical:  
 Current rating: 5 A (Power supply pin: A1, A4, A9, A12, B1, B4, B9, B12)  
 1.25 A (Vconn pin)  
 0.25 A (Other signal pin)  
 Contact resistance: 40 mohms max 10 mohms change after test,  
 measure @ 20mV, 100 mA  
 Insulation resistance: 100 Mohms min.  
 Dielectric withstanding: 100 VAC RMS  
 Mechanical:  
 Insertion force: 5~20N  
 Withdrawal force: 6~20N After test  
 Durability: 10,000 Cycles  
 Temperature Rating:  
 Operating temperature: -40°C to +85°C  
 Environmental:  
 Lead free, RoHS compliant.



PACKAGED ON TAPE & REEL

UNLESS OTHERWISE SPECIFIED ALL DIMENSIONS ARE MILLIMETERS TOLERANCES: EXCEPT AS NOTED	
MM	ANGLE
X. ± 0.50	± 2°
X.X ± 0.30	
X.XX ± 0.20	
X.XXX ± 0.10	
APPROVALS	
DRAWN	AY
CHECKED	CK
APPROVED	
DATE	
	10/25/18
DATE	
	10/25/18

**ADAM TECH INTERCONNECTS**  
 909 Rahway Avenue,  
 Union, NJ 07083  
 Phone: 908-687-5000  
 Fax: 908-687-5710

TITLE			
UNIVERSAL SERIAL BUS, TYPE C, FEMALE, RIGHT ANGLE, CL2.75 H4.46mm HYBRID TYPE			
SIZE	PART NO.	REV.	
X	USB-C31-S-RA-CS1E-BK-T/R	A	
REF:	S00296T	SCALE:	NTS
		SHEET 1 OF 1	