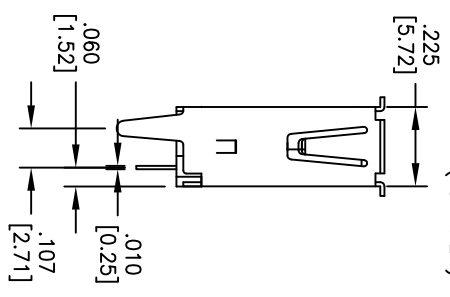
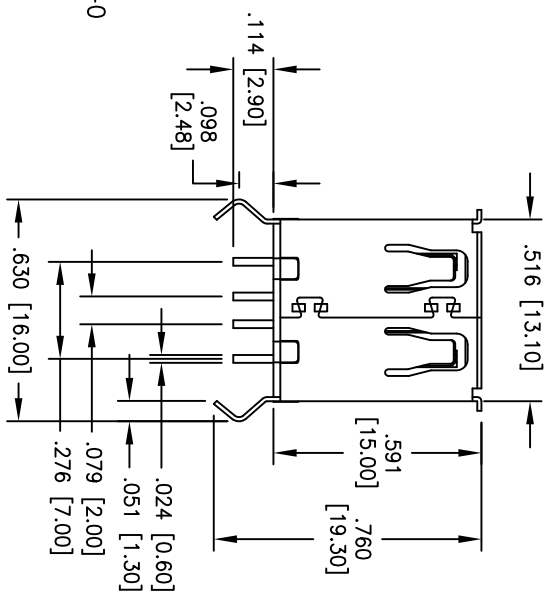
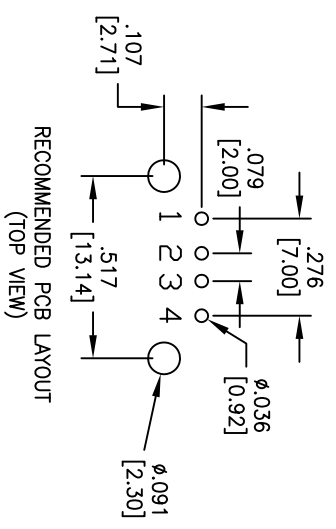
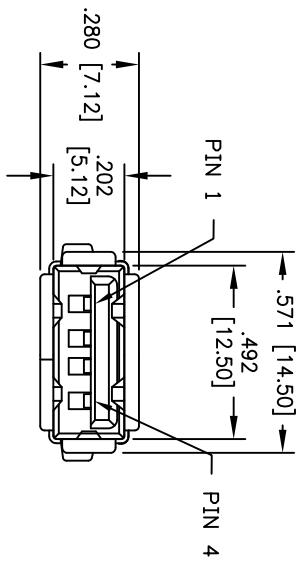


APPROVED: _____
 DATE: _____ TITLE: _____

| Rev | AWO # | Description | Date | Appr |
|-----|-------|-----------------|----------|------|
| - | | RELEASED | 12/3/04 | |
| A | | ADDED ROHS MARK | 8/25/08 | BAS |
| B | | REDRAWN | 12/08/09 | |
| C | | REVISED DIM. | 5/30/11 | |
| D | | REVISED SPEC. | 12/22/11 | |



SPECIFICATIONS:

- Material: Insulator: PBT, Glass filled, rated UL 94V-0
- Insulator color: White
- Contacts: Brass
- Shell: Brass, nickel plated
- Plating: Gold over Nickel underplate on contact area, Tin over Copper underplate on PCB tails
- Electrical: Operating voltage: 30 VAC max. Current rating: 1.5 Amp max @ 250V AC. Contact resistance: 30 mohms max. Insulation resistance: 1000 Mohms min. Dielectric withstanding voltage: 500 VAC for 1 minute
- Temperature Rating: Operating temperature: -20°C to +60°C
- Environmental: Lead free, RoHS compliant.

| | |
|--|--------------|
| UNLESS OTHERWISE SPECIFIED ALL DIMENSIONS ARE INCHES [MM] | |
| TOLERANCES: EXCEPT AS NOTED | |
| INCHES | HOLDS |
| .X ± .10 | ØXX ± .10 |
| .XX ± .020 | ØXXX ± .015 |
| .XXX ± .015 | ØXXXX ± .010 |
| APPROVALS | DATE |
| DRAWN SS | 10/4/04 |
| CHECKED | |
| APPROVED | |

ADAM TECH
 909 Railway Avenue, Union, NJ 07083
 Phone: 908-687-5000 Fax: 908-687-5710

TITLE: UNIVERSAL SERIAL BUS
 SINGLE PORT, VERTICAL, PCB

SIZE: X PART NO.: USB-A-S-VT-WT
 REF: S0008C SCALE: NTS SHEET 1 OF 1

REV. D