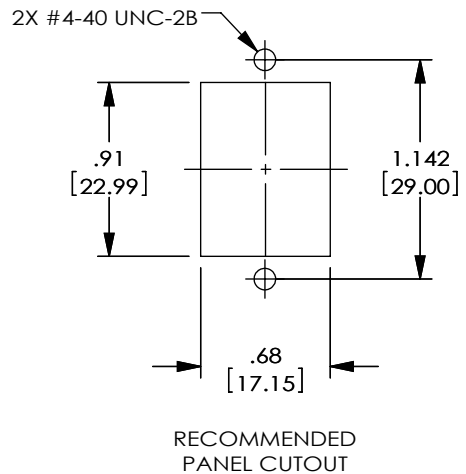
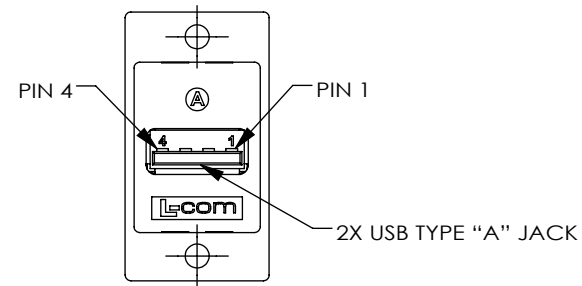
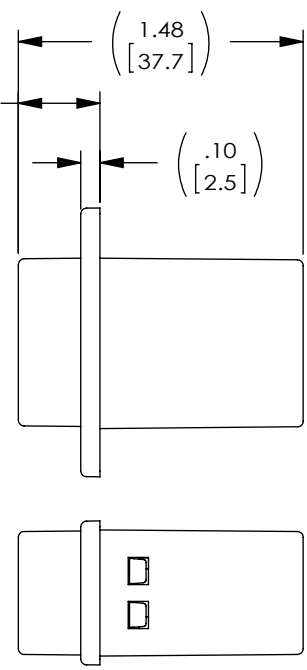
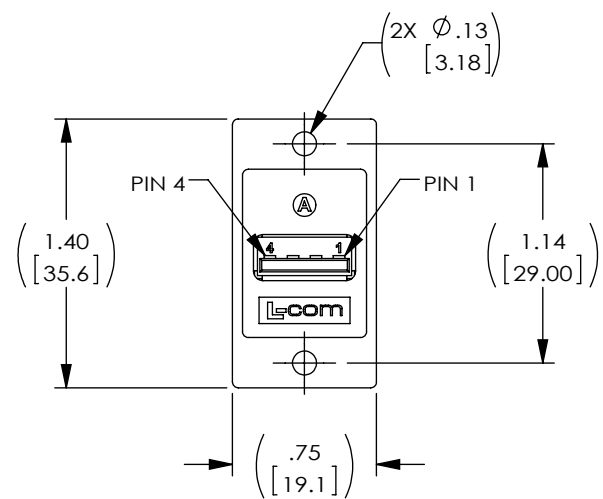


THE INFORMATION CONTAINED IN THIS DRAWING IS THE SOLE PROPERTY OF L-COM, INC. ANY REPRODUCTION IN PART OR WHOLE WITHOUT THE WRITTEN PERMISSION OF L-COM, INC. IS PROHIBITED.

REVISIONS			
REV	DESCRIPTION	DATE	APPROVED
A	INITIAL RELEASE	9/3/14	D.GRIFFIN
B	ECN 8409: ADD TEMPERATURE RATING -10-70°C	7/15/16	S.LI



**NOTES:**

**MATERIAL:**  
 COUPLER HOUSING: ABS, UL94V-0.  
 CONNECTOR PLASTIC: PBT WITH GLASS FIBER  
 CONNECTOR CONTACTS: COPPER ALLOY  
 CONNECTOR SHELL: STEEL ALLOY  
 PCB: EPOXY GLASS FP-4, 94V-0 FLAMMABILITY RATING

**FINISH:**  
 COUPLER HOUSING: CHROME  
 CONNECTOR CONTACTS: GOLD, 30µ INCHES  
 CONNECTOR SHELL: NICKEL 100µ INCHES MIN.

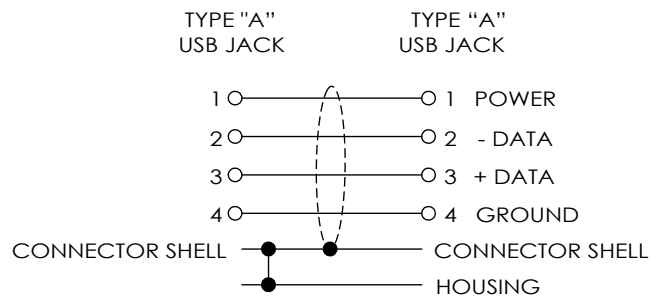
**MISCELLANEOUS:**  
 TOTAL UNMATING FORCE: 15N MIN. [3.37 lbf]  
 TOTAL MATING FORCE: 40N MAX. [9.0 lbf]  
 COMPONENT SHALL BE TESTED FOR CONTINUITY.  
 OPERATING TEMPERATURE: -10°C TO +70°C

**PACKAGING:**  
 COMPONENT SHALL BE INDIVIDUALLY PACKAGED IN ACCORDANCE WITH L-COM SPECIFICATION PS-0031.

**REGULATORY COMPLIANCE:**  
 CE2011/65/EU(ROHS DIRECTIVE)



**WIRING MAP**



UNLESS OTHERWISE SPECIFIED, DIMENSIONS ARE IN INCHES [mm] OVERALL CABLE LENGTH TOLERANCE: ≤12 [305] = +1 [25] / -0 >12 [305] ≤60 [1524] = +2 [51] / -0 >60 [1524] ≤120 [3048] = +4 [102] / -0 >120 [3048] ≤300 [7620] = +6 [152] / -0 >300 [7620] = +3% / -0%	APPROVALS	DATE		50 HIGH STREET NORTH ANDOVER, MA 01845
	DRAWN BY D.FRISIELLO	7/28/14		CATEGORY
ALL OTHER DIMENSIONAL TOLERANCES: .X = ±.2 [5.08] .XX = ±.02 [5.1] .XXX = ±.005 [1.3]	CHECKED BY R.SCOTT	7/28/14	PRODUCT DESCRIPTION <b>USB A-A PNL ADPT SHLD HI-RET</b>	SIZE <b>A</b>
	APPROVED BY S.SMITH	7/28/14		
PROJECTION 	CONFIGURATION DETAILS OF UNDIMENSIONED FEATURES MAY VARY		SCALE: NONE	CAD FILE: ECF504-UAAS-HR.SLDDRW
COLOR VARIATIONS MAY OCCUR	SHEET 1 OF 1			