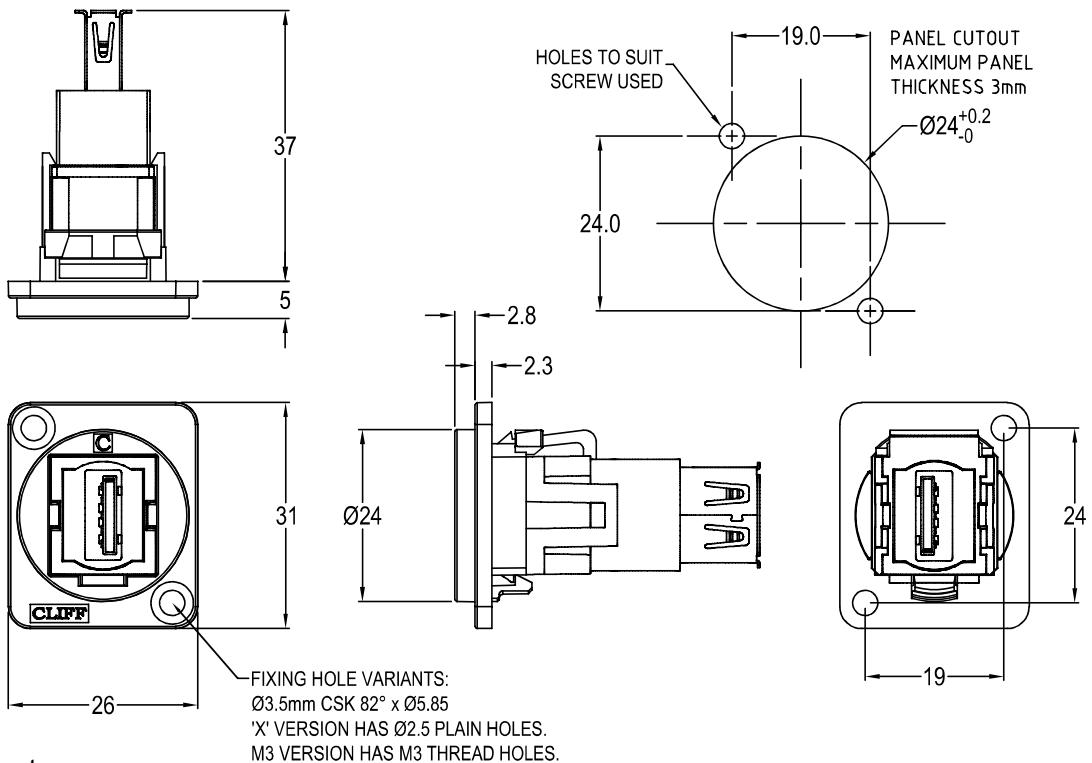


# CLIFF

## USB3.0 A-A FEEDTHROUGH CONNECTOR



### Feedthrough Features

- Fits standard XLR Ø24mm cutout.
- No soldering or punch termination. Use standard cable for each connector style.
- Front or rear mounted.
- Low rear profile

### General:

Please note: Functionality is affected by cable quality, length and cable wiring configuration.

### VARIANTS

#### Part No.

<b>CP30205N</b>	USB3.0 A-A Black plastic frame, CSK holes
<b>CP30205NW</b>	USB3.0 A-A White plastic frame, CSK holes
<b>CP30205NM</b>	USB3.0 A-A Nickel plated metal frame, CSK holes
<b>CP30205NM3</b>	USB3.0 A-A Nickel plated metal frame, M3 holes
<b>CP30205NMB</b>	USB3.0 A-A Black metal frame, CSK holes
<b>CP30205NM3B</b>	USB3.0 A-A Black metal frame, M3 holes
<b>CP30205NX</b>	USB3.0 A-A Black plastic frame, PLAIN holes
<b>CP30205NXW</b>	USB3.0 A-A White plastic frame, PLAIN holes

### Material:

1. Insert: ABS UL94 HB
2. Plastic Frame: Polyamide UL94 V2
3. Metal Frame: Diecast, Black or Nickel plated
4. Inner Overmouldings: PE + PVC
5. Shell: Nickel plated steel
6. Contacts: Gold Plated

### Notes:

1. Voltage rating: 30V ac
2. Current rating: 1.8 A max
3. Contact resistance: 50mΩ max
4. Insulation resistance: 20MΩ min
5. Dielectric withstanding voltage: 500V AC
6. Operating Temperature: -20°C to 50°C