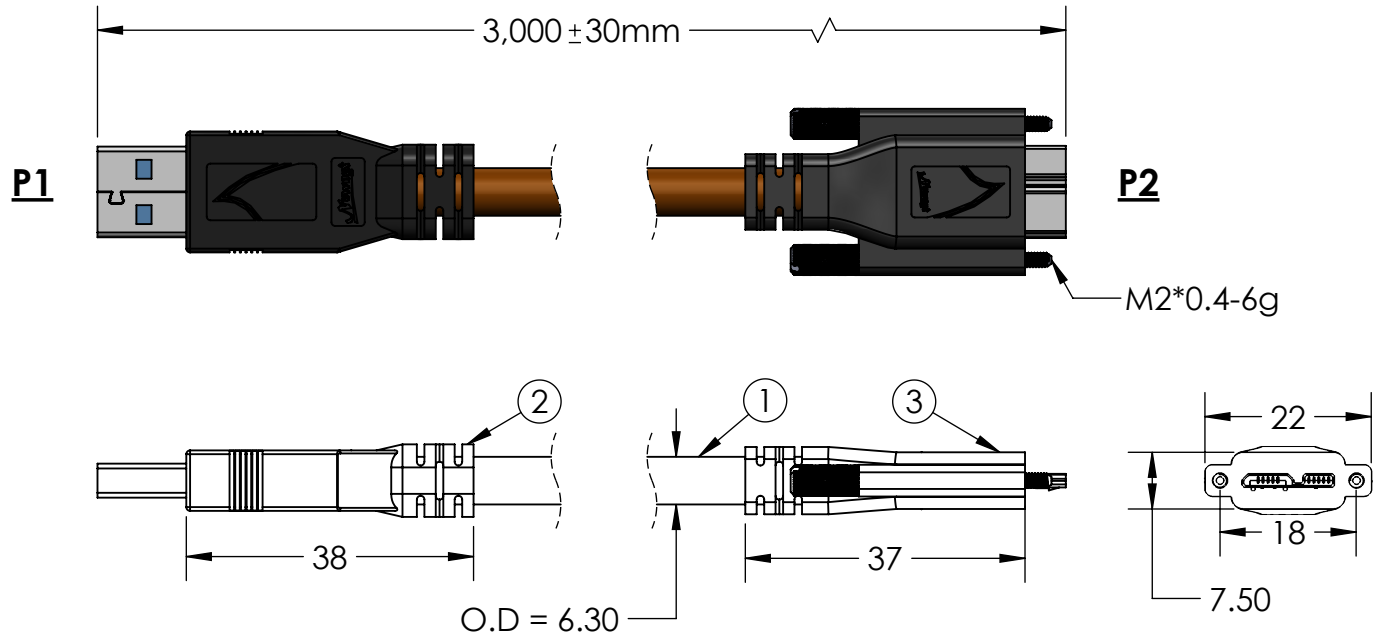


NEWNEX PROPRIETARY

THIS DOCUMENT AND THE DATA DISCLOSED HEREIN OR WITHIN IS NOT TO BE REPRODUCED, USED, OR DISCLOSED IN WHOLE OR PART TO ANYONE WITHOUT THE WRITTEN PERMISSION OF NEWNEX



Notes:

1. Cable: USB 3.0 High Flex Cables, 6.3mm O.D Orange Jacket.
2. Connector: USB A Male.
3. Connector: USB Micro B Male Dual Screw Locking.
4. Recommended Min Bending Radius: 12 x O.D
5. Max Drag Chain Travel Distance: 2 meter
6. Rated Flex Life Cycle: 6,000,000
7. Packaging: 1 Piece + PE bag.

WIRING STRUCTURE		
P1	SIGNAL	P2
1	PWR	1
2	D-	2
3	D+	3
4	GND	5
5	SDP1-	6
6	SDP1+	7
7	DRAIN	8
8	SDP2-	9
9	SDP2+	10
SHELL	BRAID	SHELL

*100% OPEN, SHORT, MISWIRE TESTING

*RoHS compliant product

*Both shell clam and copper foil have 360 degree contact with braiding

Newnex Technology Corp.



UNLESS OTHERWISE SPECIFIED DIMENSIONS ARE IN MILLIMETERS TOLERANCES ARE:

FRACTIONS: XX ± 0.2
 DECIMALS: .XX ± 0.10
 ANGLES: XXX ± 0.50

PROJ: [Symbol] SCALE: 1:1

REV: A DATE: 6/2/2023

TITLE: High Flex USB 3.0 A Male to Micro B Male Dual Screw Locking, 3m, Orange.

DRAWN BY: XW

APPROVED BY:

PART NUMBER: U3HLA01MCI-030

CHECKED BY:

SHEET 1 OF 1

REVISION COMMENTS: Drawing Generated.