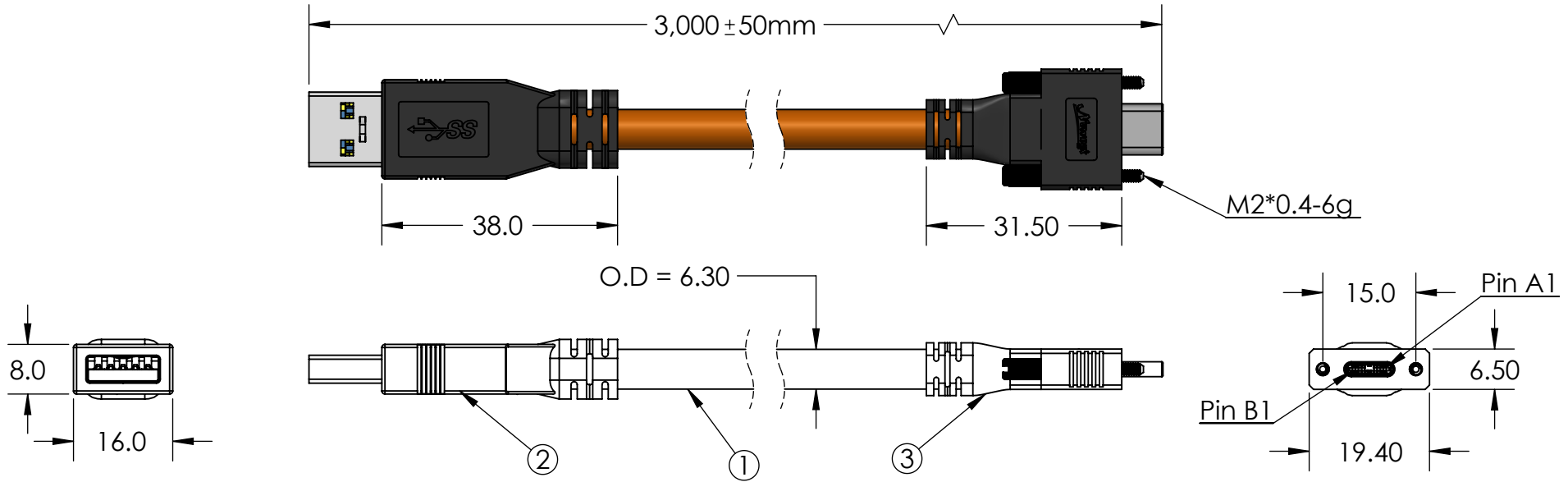


NEWNEX PROPRIETARY

THIS DOCUMENT AND THE DATA DISCLOSED HEREIN OR WITHIN IS NOT TO BE REPRODUCED, USED, OR DISCLOSED IN WHOLE OR PART TO ANYONE WITHOUT THE WRITTEN PERMISSION OF NEWNEX



Wiring Structure			
USB 3.0 A Plug	Wire		USB Typ-C Plug
	SIGNAL	COLOR	
1	Vcc	Red	A4,B4,A9,B9
	CC		A5
2	UTP-Dn	White	A7
3	UTP-Dp	Green	A6
4+7	GND	Black+D	A1,B1,A12,B12
5	SDPn1	Blue	A3
6	SDPp1	Yellow	A2
8	SDPn2	Purple	B10
9	SDPp2	Orange	B11
SHELL	Outer Braid		SHELL

Rp=56K

Notes:

1. Cable: USB 3.1 High Flex Cables, 6.3mm O.D Orange Jacket.
2. Connector: USB A Male
3. Connector: USB Type-C Male Dual Screw Locking.
4. Recommended Min Bending Radius: 12 x O.D
5. Max Drag Chain Travel Distance: 2 meter
6. Rated Flex Life Cycle: 6,000,000
7. Packaging: 1 Piece + PE bag.

Newnex Technology Corp.		TITLE: High Flex USB 3.1 Cable, A Male to C Male with Dual Screw Locking, 3m, Orange.	
UNLESS OTHERWISE SPECIFIED DIMENSIONS ARE IN MILLIMETERS TOLERANCES ARE:		PROJ:	SCALE: 1:1
FRACTIONS: XX ± 0.5	DECIMALS: XX ± 0.25	ANGLES: ± 0.5°	REV: A
DATE: 6/2/2023		DRAWN BY: XW	APPROVED BY:
PART NUMBER: U3HLA01C12-030		CHECKED BY:	SHEET 1 OF 1
REVISION COMMENTS: Drawing generated			