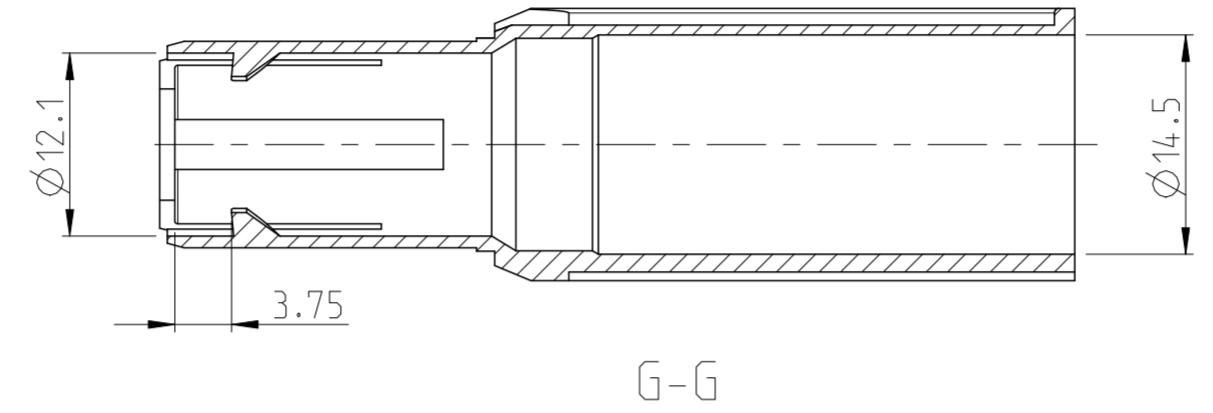
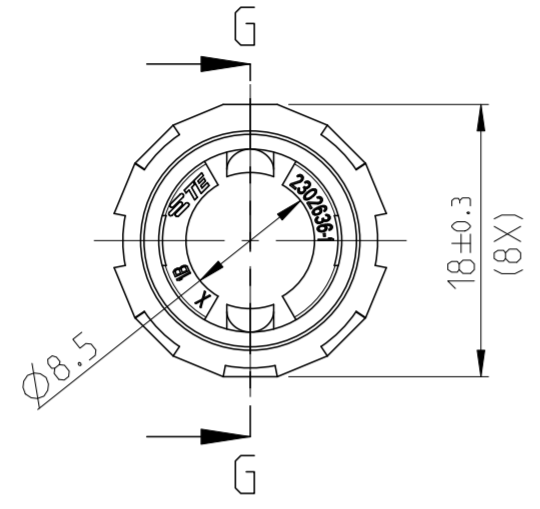


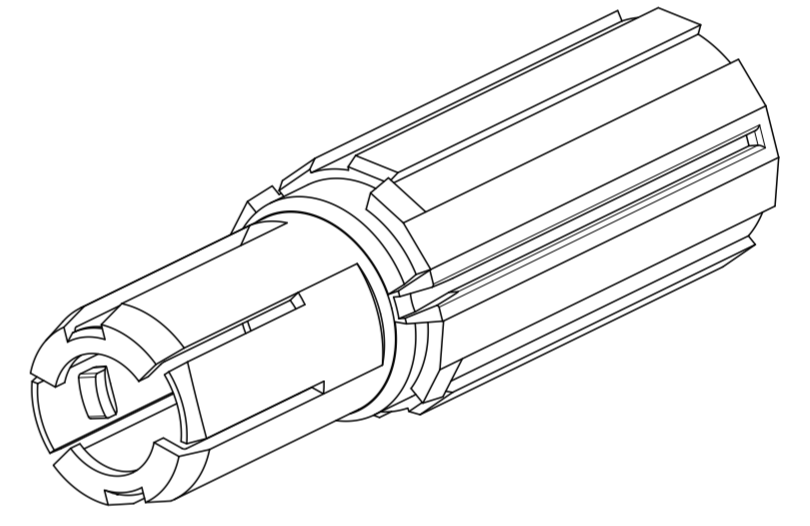
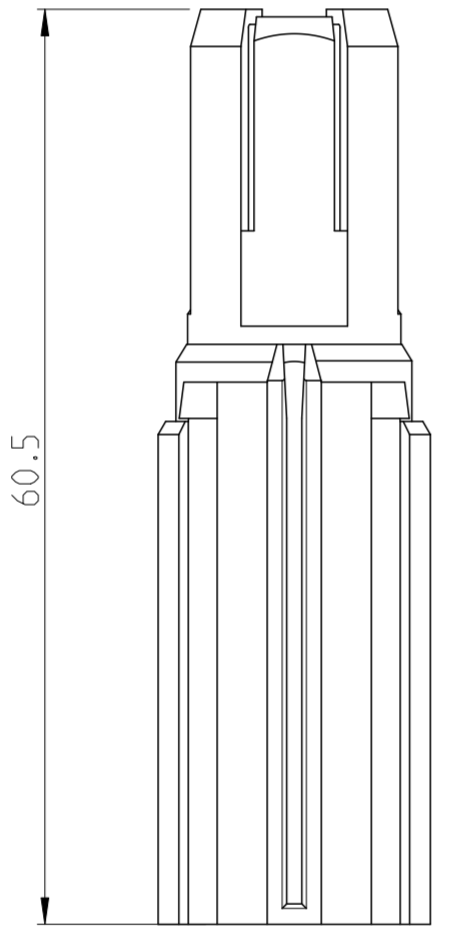
THIS DRAWING IS UNPUBLISHED. RELEASED FOR PUBLICATION 2011
 © COPYRIGHT 2011 ALL RIGHTS RESERVED.

LOC	DIST	REVISIONS			
P	LTR	DESCRIPTION	DATE	DWN	APVD
ES	00	A	RELEASED	11SEP16	JL IY
		A1	REVISED ECO-16-017008	13APR17	JL IY



NOTES:

- 1 PACKAGING: BULK PACKAGING IN PLASTIC BAG AND SHIPPING BOX



-1 AS SHOWN

2302636-1	INSULATION INSERT 8MM HV.180 DEG	PA66-GF V0 FIRE RETARDANT	GRAY
TE-PART-NO.	DESCRIPTION	MATERIAL	COLOUR
THIS DRAWING IS A CONTROLLED DOCUMENT.		DWN 14 APR 2016 JLL	TE Connectivity NAME INSULATION INSERT 8MM HV,180 DEG SIZE CAGE CODE DRAWING NO RESTRICTED TO A2 00779 C-2302636 - SCALE 2:1 SHEET 1 OF 1 REV A1
DIMENSIONS: mm		CHK 14 APR 2016 XX.LI	
TOLERANCES UNLESS OTHERWISE SPECIFIED:		APVD 11 SEP 2016 I.YIN	
0 PLC ±0.4 1 PLC ± 2 PLC ± 3 PLC ± 4 PLC ± ANGLES ± FINISH		PRODUCT SPEC APPLICATION SPEC	
MATERIAL		WEIGHT	Customer Drawing