

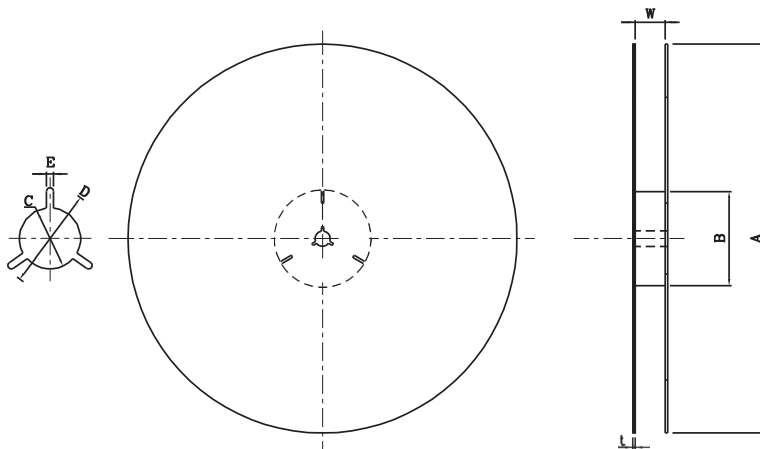
Packaging Information

PRODUCT & PACKAGING CODE

Product	Tape(Carrier)	Reel	Tray	Unit	Remark
XA	-	-		1000PCS Plastic Bag	Standard Carrier
XB	-	-		2000PCS Plastic Bag	Standard Carrier
XD 16 × 10 mm	C48	R25		3000PCS/Reel	Standard Carrier
XD 20 × 12 mm	C40	R15		3000PCS/Reel	Standard Carrier
XD 32 × 15 mm	C28	R13		3000PCS/Reel	Standard Carrier
XD 41 × 15 mm	C29	R13		3000PCS/Reel	Standard Carrier
XN 69 × 14 mm	C32	R21		3000PCS/Reel	Standard Carrier
XN 80 × 38 mm	C36	R21		3000PCS/Reel	Standard Carrier
X3	C34	R15		3000PCS/Reel	Standard Carrier
X4	C49	R15		3000PCS/Reel	Standard Carrier
XH,X5	-	-	T1	60PCS/Tray; 900PCS/Box	Standard Carrier
X6	-	-	T2	40PCS/Tray; 200PCS/Box	Standard Carrier
X7	-	-	T3	30PCS/Tray; 90PCS/Box	Standard Carrier
X8	-	-	T4	40PCS/Tray; 400PCS/Box	Standard Carrier
XX, PX, OX, TX, TX-J, X2, OA, VA, OM-K	C25	R15		3000PCS/Reel	Standard Carrier
		R24		500PCS/Reel	Optional Carrier
XV, XS, OV, OW, VW, TV, PV	C24	R13		1000PCS/Reel	Standard Carrier
XR	C5	R2		1000PCS/Reel	Standard Carrier
XQ	C4	R2		1000PCS/Reel	Standard Carrier
XI	-	-		2000PCS Plastic Bag	Standard Carrier
	A2	-		1000(800)PCS/Ammopack	Optional Carrier
XJ	C2	R6		1000PCS/Reel	Standard Carrier
PY, OY, TY, TY-J, OB, ON-K	C27	R15		3000PCS/Reel	Standard Carrier
		R24		750PCS/Reel	Optional Carrier
XZ	C47	R15		3000PCS/Reel	Standard Carrier
OZ, PZ	C33	R15		3000PCS/Reel	Standard Carrier
		R24		1000PCS/Reel	Optional Carrier
OC, OT, VT, TS, TT, TA, VD, OD, PC	C3	R2		1000PCS/Reel	Standard Carrier
OJ, VJ, OV-P	C31	R13		1000PCS/Reel	Standard Carrier
O3	C52	R15		3000PCS/Reel	Standard Carrier
TF, NF	-	-		Box	Standard Carrier
TZ	C42	R15		3000PCS/Reel	Standard Carrier
	C33	R15		4000PCS/Reel	Optional Carrier
TX-P, TP	C43	R13		3000PCS/Reel	Standard Carrier
TW, TL	C44	R13		1000PCS/Reel	Standard Carrier
TT- L	C45	R2		1000PCS/Reel	Standard Carrier
TU	C50	R6		400PCS/Reel	Standard Carrier
VK	C22	R6		500PCS/Reel	Standard Carrier
VL	C38	R6		500PCS/Reel	Standard Carrier
NI, NA, NP	-	-		Box	Standard Carrier
NJ	C35	R22		200PCS/Reel	Standard Carrier
TK, NK-N	C37	R23		500PCS/Reel	Standard Carrier
NK-H	C46	R23		500PCS/Reel	Standard Carrier
NN	C41	R6		500PCS/Reel	Standard Carrier
DT, DTQ-101	-	-		Box	Standard Carrier
XY	C53	R15		3000PCS/Reel	Standard Carrier

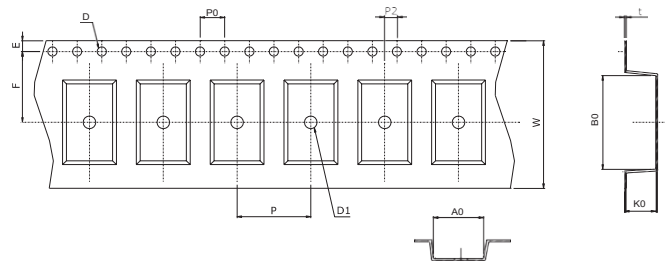
REEL DIMENSIONS **Unit:mm**

Code	A	B	C	E	W
R2	180	60	13.00 ±0.5	2.30	16.40 +2.0 -0
R6	330	100	13.00 ±0.5	2.00 ±0.5	24.40 +2.0 -0.0
R13	180 ±3	60 ±1	13.00 ±0.2	2.00 ±0.5	13.00 ±0.3
R15	180	60	13.00 ±0.5	2.30 ±0.5	9.30 +1.0 -0.0
R21	330	100	13.00	2.00	17.50
R22	330 ±2	100 ±4	13.20 ±0.2	2.20 ±0.5	44.40 +2.0 -0.0
R23	330 ±2	100 ±4	13.20 ±0.2	2.20 ±0.5	25.00 +2.0 -0.0
R24	100 ±1	52 ±1	13.60 ±0.5	2.50 ±0.5	9.00 ±0.5
R25	178 ±1	60.2 ±1	13.00 ±0.5	2.50 ±0.5	11.50 ±0.5

REEL
R2, R6, R13, R15, R21, R22, R23, R24, R25


TAPE(CARRIER) DIMENSIONS Unit:mm

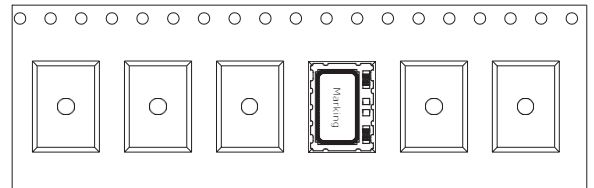
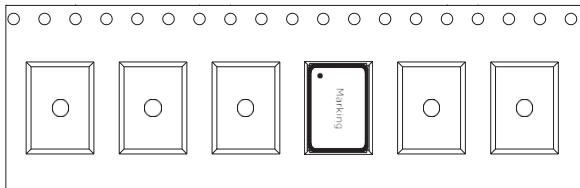
Code	A0	B0	D	D1	F	F
C3	5.56	7.85	1.50	1.50	1.75	7.50
	±0.1	±0.1	+0.1	+0.1	±0.1	±0.1
C4	5.00	8.40	1.50	1.60	1.75	7.50
	0.1	±0.2	±0.1	+0.1	±0.1	±0.1
	-0.2	3.95	6.50	1.50	1.75	7.50
C5	±0.1	±0.1	+0.1	+0.25	±0.1	±0.1
	10.20	15.00	-0	-0	1.75	11.50
C22	±0.1	±0.1	1.50	1.50	1.75	±0.1
C24	3.60	5.40	1.55	1.50	1.75	5.50
	±0.1	±0.1	±0.05	Min.	±0.1	±0.05
C25	2.70	3.40	1.50	1.00	1.75	3.50
	±0.1	±0.1	+0.1	Min.	±0.1	±0.05
C27	2.25	2.75	1.50	1.10	1.75	3.50
	±0.1	±0.10	+0.1	±0.1	±0.1	±0.05
C28	1.85	3.60	-0	1.05	1.75	5.50
	±0.1	±0.1	±0.1	±0.05	±0.1	±0.05
C29	1.85	4.50	1.50	1.05	1.75	5.50
	±0.1	±0.1	±0.1	±0.05	±0.1	±0.05
C31	3.60	5.40	1.55	1.50	1.75	5.50
	±0.1	±0.1	±0.05	Min.	±0.1	±0.05
C32	1.70	7.20	1.50	1.00	1.75	7.50
	±0.1	±0.1	+0.10	±0.1	±0.1	±0.1
C33	1.90	2.30	-0	1.10	1.75	3.50
	±0.1	±0.1	±0.05	±0.05	±0.1	±0.05
C34	1.45	1.85	1.55	1.50	1.75	3.50
	±0.1	±0.1	±0.05	Min.	±0.1	±0.05
C35	23.00	26.00	1.50	2.00	1.75	20.20
	±0.1	±0.1	+0.1	±0.1	±0.1	±0.15
C36	4.05	8.30	-0	1.60	1.75	7.50
	±0.1	±0.1	1.50	±0.1	±0.1	±0.1
C37	10.00	15.00	+0.1	2.00	1.75	11.50
	±0.1	±0.1	-0	±0.1	±0.1	±0.15
C38	9.45	14.30	1.50	1.50	1.75	11.50
	±0.2	±0.2	±0.1	±0.1	±0.1	±0.1
C40	1.40	2.25	1.50	1.0	1.75	3.50
	±0.05	±0.05	±0.1	±0.1	±0.1	±0.05
C41	7.80	10.00	Ø1.50	1.50	1.75	11.50
	±0.1	±0.1	±0.1	±0.05	±0.1	±0.1
C42	1.90	2.30	1.50	1.0	1.75	3.50
	±0.1	±0.1	±0.1	Min.	±0.1	±0.1
C43	2.90	3.60	1.50	1.50	1.75	5.50
	±0.1	±0.1	±0.05	Min.	±0.1	±0.05
C44	3.50	5.30	1.50	1.50	1.75	5.50
	±0.1	±0.1	±0.1	Min.	±0.1	±0.05
C45	5.56	7.85	1.55	1.50	1.75	7.50
	±0.1	±0.1	±0.05	±0.1	±0.1	±0.1
C46	10.00	15.00	1.50	2.00	1.75	11.5
	±0.1	±0.1	+0.1	±0.1	±0.1	±0.15
C47	1.90	2.30	-0	1.00	1.75	3.50
	±0.1	±0.1	1.55	±0.1	±0.1	±0.05
C48	1.15	1.78	1.50	1.00	1.75	3.50
	±0.1	±0.1	±0.05	±0.1	±0.1	±0.05
C49	1.10	1.30	1.55	0.60	1.75	3.50
	±0.1	±0.1	±0.05	±0.05	±0.1	±0.1
C50	13.6	14.90	1.50	1.50	1.75	11.50
	±0.1	±0.1	±0.1	Min.	±0.1	±0.1
C52	1.40	1.80	1.55	0.60	1.75	3.50
	±0.1	±0.1	±0.05	±0.05	±0.1	±0.05
C53	2.25	2.70	1.55	1.00	1.75	3.50
	±0.1	±0.1	±0.05	±0.1	±0.1	±0.05

TAPE CARRIER
C3, C4, C5, C22, C24, C25, C27, C28, C29, C31, C32, C33, C34, C35, C36, C37, C38, C40, C41, C42, C43, C44, C45, C46, C47, C48


www.taitien.com
sales@taitien.com.tw

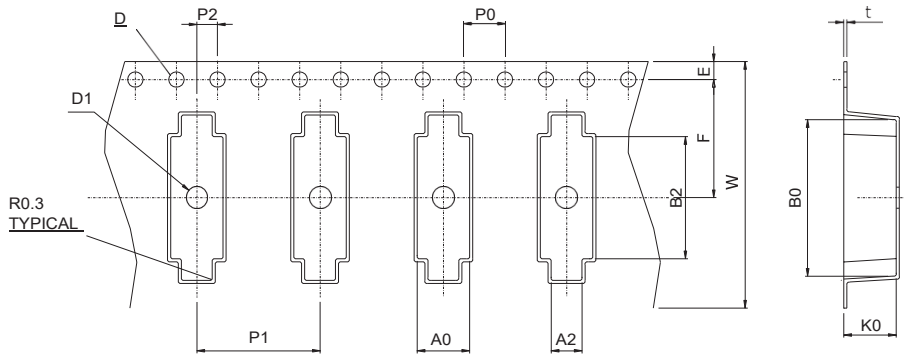
K0	P	P0	P2	t	w
2.00	8.00	4.00	2.00	0.30	16.00
±0.1	±0.1	±0.1	±0.1	±0.05	±0.3
2.00	8.00	4.00	2.00	0.3	16.00
±0.1	±0.1	±0.1	±0.1	±0.1	±0.30
1.35	8.00	4.00	2.00	0.31	16.00
±0.1	±0.1	±0.1	±0.1	±0.1	±0.30
5.50	16.00	4.00	2.00	0.50	24.00
±0.1	±0.1	±0.1	±0.1	±0.05	±0.2
1.40	8.00	4.00	2.00	0.30	12.00
±0.1	±0.1	±0.1	±0.05	±0.05	±0.2
1.40	4.00	4.00	2.00	0.25	8.00
±0.1	±0.1	±0.1	±0.05	±0.05	+0.1 -0
1.15	4.00	4.00	2.00	0.25	8.00
±0.10	±0.1	±0.1	±0.05	±0.05	±0.2
0.95	4.00	4.00	2.00	0.25	12.00
±0.05	±0.1	±0.1	±0.05	±0.05	±0.2
0.95	4.00	4.00	2.00	0.25	12.00
±0.05	±0.1	±0.1	±0.05	±0.05	±0.2
1.70	8.00	4.00	2.00	0.30	12.00
±0.1	±0.1	±0.1	±0.05	±0.05	±0.2
1.70	8.00	4.00	2.00	1.70	16.00
±0.1	±0.1	±0.1	±0.1	±0.1	±0.1
0.90	4.00	4.00	2.00	0.25	8.00
±0.1	±0.1	±0.1	±0.05	±0.02	±0.2
0.45	4.00	4.00	2.00	0.25	8.00
±0.1	±0.1	±0.1	±0.1	±0.02	±0.2
12.50	32.00	4.00	2.00	0.50	44.00
±0.1	±0.1	±0.1	±0.1	±0.05	±0.3
2.70	8.00	4.00	2.00	2.70	16.00
±0.1	±0.1	±0.1	±0.1	±0.1	±0.1
7.00	16.00	4.00	2.00	0.50	24.00
±0.1	±0.1	±0.1	±0.1	±0.05	±0.3
5.30	12.00	4.00	2.00	0.40	24.00
±0.2	±0.1	±0.1	±0.1	±0.1	±0.3
0.75	4.00	4.00	2.00	0.23	8.00
±0.05	±0.1	±0.1	±0.05	±0.05	±0.2
4.60	12.00	4.00	2.00	0.40	24.00
±0.1	±0.1	±0.1	±0.05	±0.05	±0.2
0.60	4.00	4.00	2.00	0.20	8.00
±0.05	±0.1	±0.1	±0.1	±0.02	±0.1
1.70	4.00	4.00	2.00	0.30	12.00
±0.1	±0.1	±0.1	±0.05	±0.05	±0.2
1.90	8.00	4.00	2.00	0.30	12.00
±0.1	±0.1	±0.1	±0.05	±0.05	±0.3
2.70	8.00	4.00	2.00	0.30	16.00
±0.1	±0.1	±0.1	±0.1	±0.05	±0.3
8.70	16.00	4.00	2.00	0.50	24.00
±0.1	±0.1	±0.1	±0.1	±0.05	±0.3
0.65	4.00	4.00	2.00	0.25	8.00
±0.1	±0.1	±0.1	±0.05	±0.05	±0.3
0.65	4.00	4.00	2.00	0.25	8.00
±0.1	±0.1	±0.1	±0.05	±0.05	±0.3
0.45	4.00	4.00	2.00	0.25	8.00
±0.1	±0.1	±0.1	±0.1	±0.02	±0.1
6.90	20.00	4.00	2.00	0.40	24.00
±0.1	±0.1	±0.1	±0.1	±0.05	+0.3 -0.1
0.80	4.00	4.00	2.00	0.25	8.00
±0.1	±0.1	±0.1	±0.05	±0.02	±0.2
0.80	4.00	4.00	2.00	0.25	8.00
±0.1	±0.1	±0.1	±0.05	±0.05	±0.3

THE DIRECTION OF PACKING

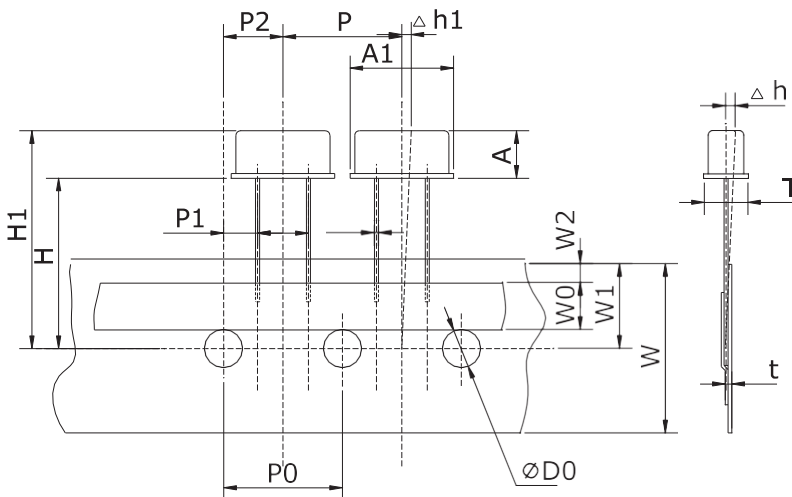


TAPE(CARRIER) DIMENSIONS Unit:mm

Code	A0	A2	B0	B2	D	D1	E
C2	4.85	2.00	14.65	11.60	1.50 ±0.1	1.50 ±0.1	1.75 ±0.1

**TAPE CARRIER
C2**

AMMOPACK DIMENSIONS (mm)

Code	h1	t	D0	H1	H	W2	W1	W0	W
A2	0 ± 2.0	0.9max.	4.00 ±0.20	22.5max.	18.00 ±0.75	2.0max	9.00 +0.75 -0.5	5.00 ±0.5	18.0 +1.0 -0.5

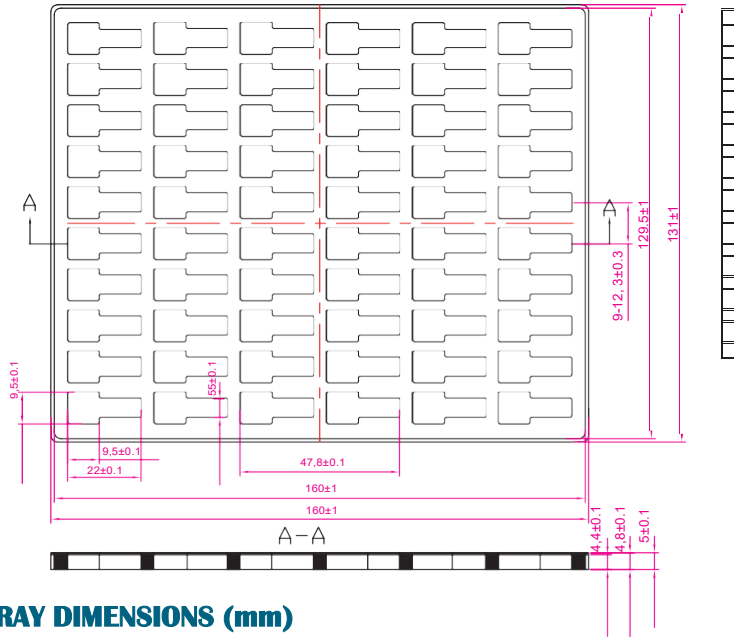
**AMMOPACK
A2**


F	K0	P0	P1	P2	t	W
11.50	4.35	4.00	12.00	2.00	0.40	24.00
±0.1	±0.1	±0.1	±0.1	±0.1	±0.05	±0.3

h	P2	P1	P0	P	T	A1 x A
0 ± 2.0	6.35	3.85	12.70	12.70	4.68max	11.05max. x 3.51max.
	±0.7	±0.70	±0.30	±1.0		

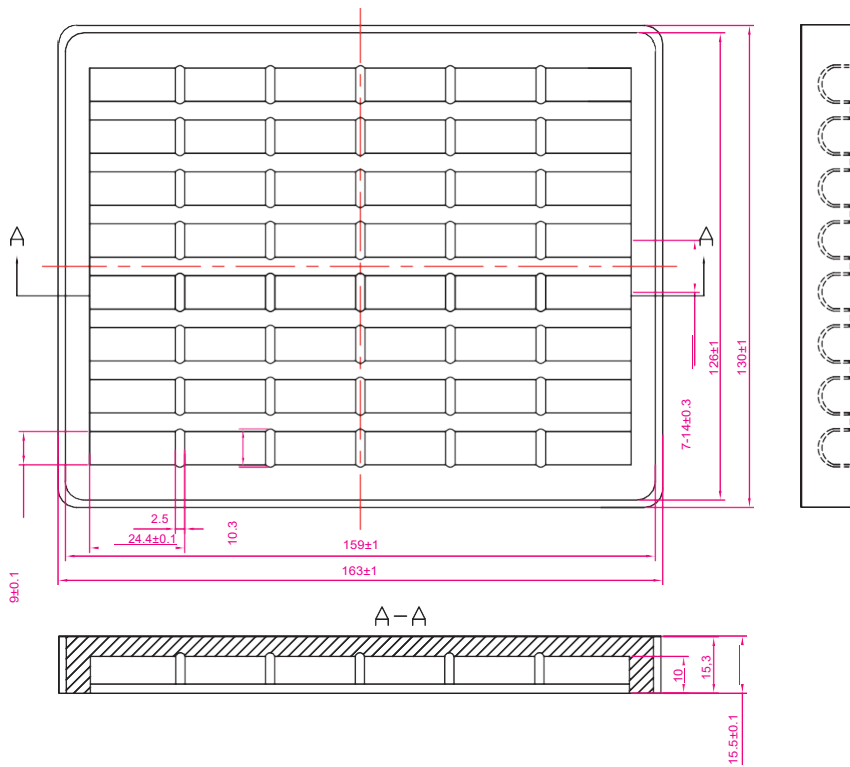
TRAY DIMENSIONS (mm)

T1



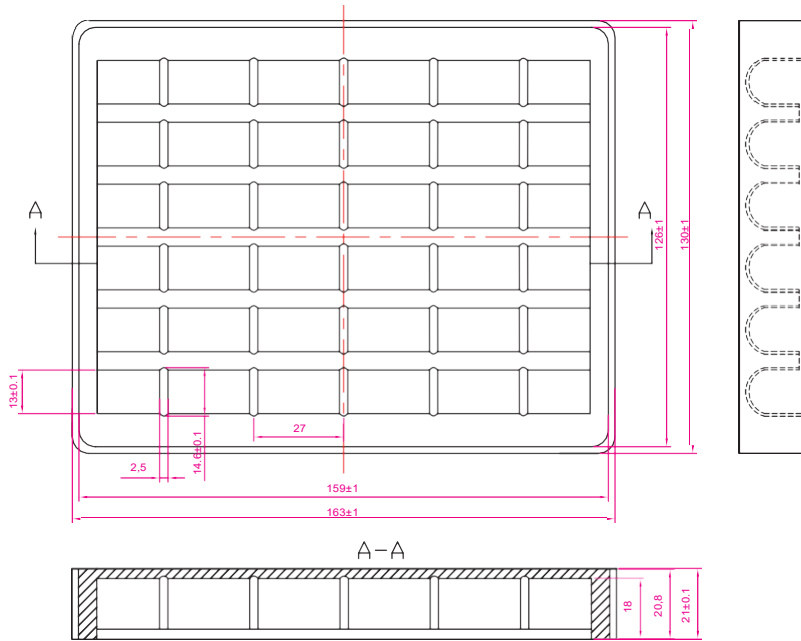
TRAY DIMENSIONS (mm)

T2



TRAY DIMENSIONS (mm)

T3



TRAY DIMENSIONS (mm)

T4

