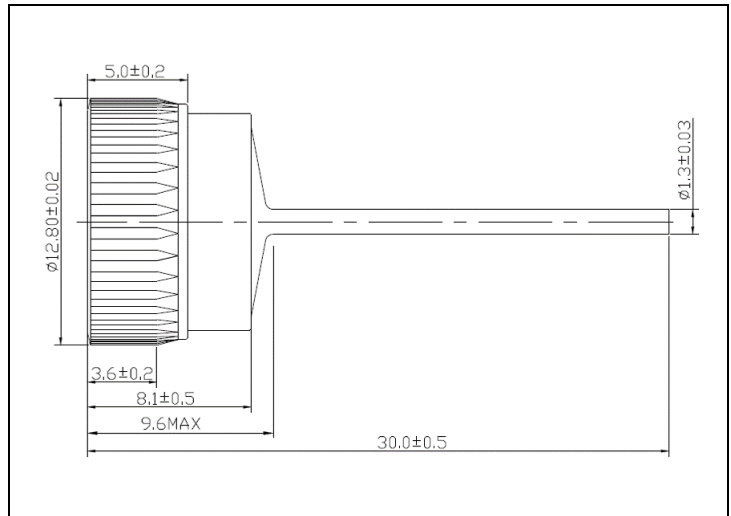


Features

- High Power Capability
- High Temperature Application
- Low Leakage
- Open Junction Technic
- Suffix "-Q1" for AEC-Q101

Polarity

- D35P-Q1- Cathode Toward to Case
- D35N-Q1- Anode Toward to Case



Maximum Ratings (Ta=25°C)

CHARACTERISTIC	SYMBOL	RATING	UNIT
Average Forward Current	$I_{F(AV)}$	35	A
Non-repeative Forward Peak Surge Current (Half Sine Wave,50Hz,1 Cycle)	I_{FSM}	420	A
Maximum Repeative Peak Reverse Voltage	V_{RRM}	20	V
Junction Temperature	T_j	-40~215	°C
Thermal Resistance Junction to Case	$R_{\theta JC}$	0.7	°C/W

Electrical Characteristics (Ta=25°C)

CHARACTERISTIC	SYMBOL	TEST CONDITION	VALUE	UNIT
Maximum Forward Voltage	V_{FM}	$I_{FM}=100A, PW=10mS$	1.12	V
Maximum Reverse Current	I_{RRM1}	$V_{RRM}=20V$	0.2	uA
Maximum Reverse Current Under High Temperature	I_{RRM2}	$T_a=150^{\circ}C, V_{RRM}=20V$	100	uA
Minimum Breakdown Voltage	V_{BR}	$I_B=100mA, T=10mS$	24~29	V

Rating And Characteristic Curves

