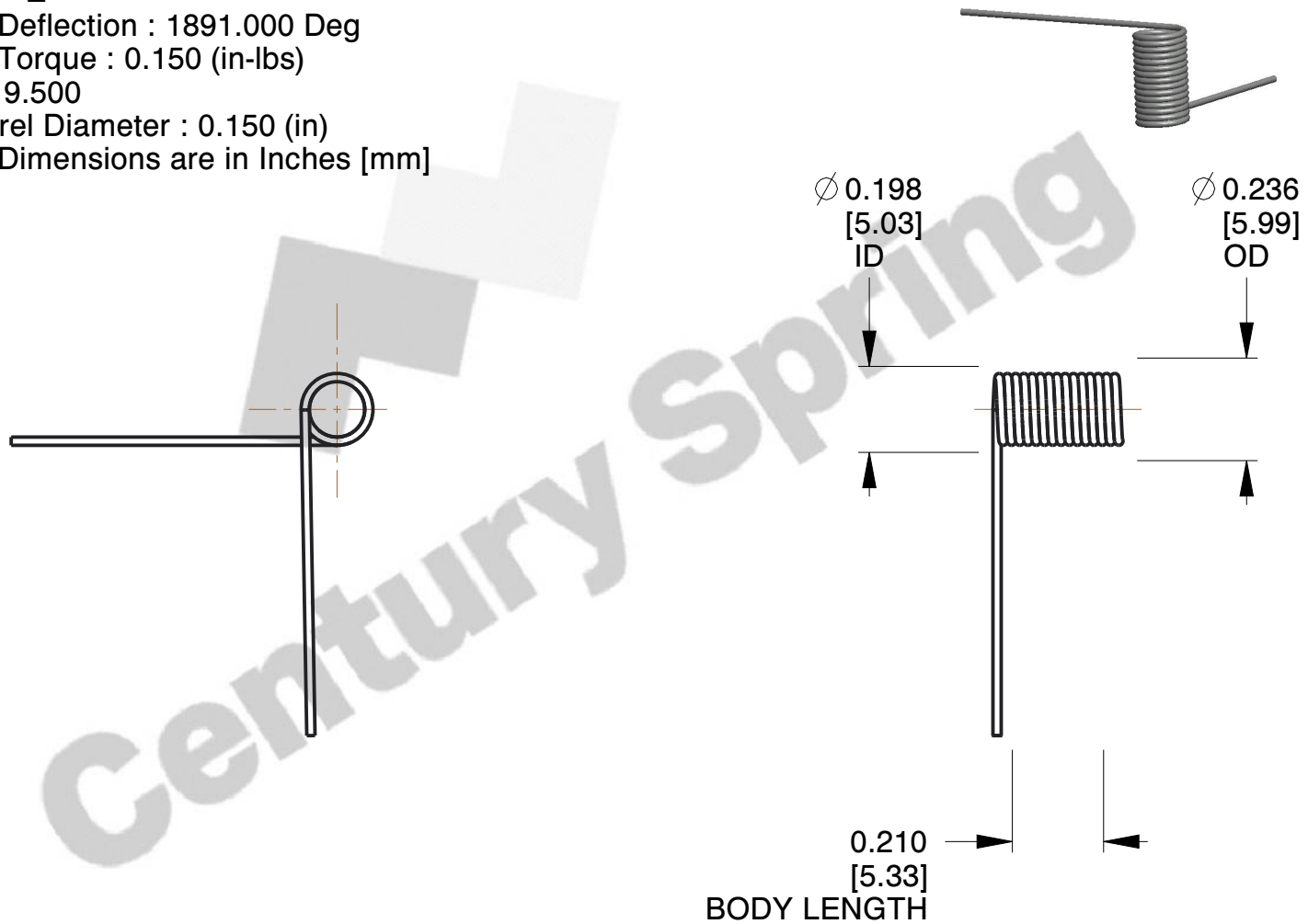


**NOTES:**

1. Material : Stainless
2. Finish : Zinc - Z
3. Sugg. Max. Deflection : 1891.000 Deg
4. Sugg. Max. Torque : 0.150 (in-lbs)
5. Total Coils : 9.500
6. Sugg. Mandrel Diameter : 0.150 (in)
7. All Drawing Dimensions are in Inches [mm]



| COMPONENT       |  | TORSION SPRINGS |  |
|-----------------|--|-----------------|--|
| <b>TO-1114</b>  |  | UNIT            |  |
|                 |  | INCH [mm]       |  |
| TORSION SPRINGS |  | SHEET           |  |
|                 |  | 1 of 1          |  |