

Ultra Precision Thermosensitive Resistor

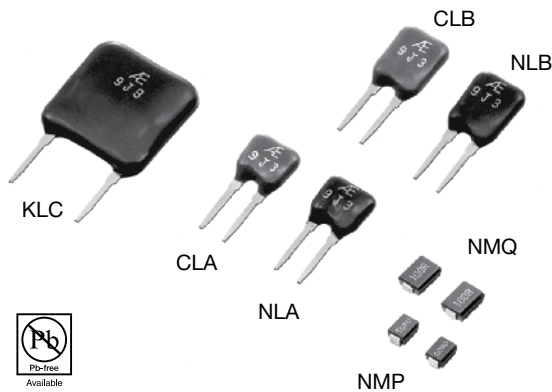
This ultra precision thermosensitive resistor is a new type of resistor produced by the application of Alpha foil resistor technology. It is made of material only a few μm thick and responds rapidly to temperature changes. The metal foil that is used has a resistivity that varies linearly with temperature change. Strict control of foil composition maintains uniform quality without fluctuation of temperature characteristics of resistance. This thermosensitive resistor is produced by the same fine photo-etching technology used in the metal foil precision resistors. The pattern is ideally designed for temperature detection, providing small size and rapid response.

Characteristics

- ① Since the resistance is provided by metal foil, the resistance is highly stable with little change over time
- ② Temperature characteristics of resistance are almost linear
- ③ Response to temperature changes is rapid
- ④ This thermosensitive resistor is small and low-priced
- ⑤ Highly accurate with tolerance of resistance values $\pm 0.5\%$
- ⑥ Temperature characteristics can be freely adjusted (KLC type)

Main Applications

- Cold-junction reference for thermocouple
- Temperature-compensation in load cell
- Temperature-compensation device in semiconductor circuit
- Temperature-sensing device



RoHS
COMPLIANT

COMPOSITION OF TYPE NUMBER

Example 1:

NLA 100R0 F

① ② ③

- ① Type
- ② Resistance Value*
- ③ Tolerance

Example 2:

KLC 3000-500R0 F

① ② ③ ④

- ① Type
- ② TCR**
- ③ Resistance Value*
- ④ Tolerance

Example 3:

NMP 100R0 F L

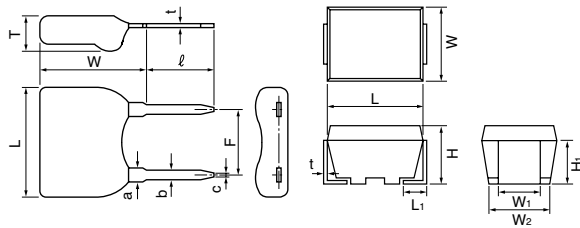
① ② ③ ④

- ① Type
- ② Resistance Value*
- ③ Tolerance
- ④ Tape & Reel Package Required

*Resistance value, in ohm, is expressed by a series of five characters, four of which represent significant digits. R or K is a dual-purpose letter that designates both the value range (R for ohmic; K for kilo-ohm) and the location of decimal point.

**Specify a desired TCR, following the type, in four-digit coding. The example "3000" means 3,000 ppm/°C while "0500" means 500 ppm/°C.

CONFIGURATION (DIMENSIONS IN mm)



Type	NLA, CLA	NLB, CLB	KLC
L	5.6±0.5		12.4±0.5
W	6.2±0.5	8.2±0.5	13.3±0.5
T	2.2±0.5		3.3±0.5
F	2.54±0.25		7.62±0.25
l	5.0±1.0		
t	0.3±0.05		
a	1.0±0.05		
b	0.65±0.05		
c	0.4±0.05		

Type	NMP	NMQ
L	3.2±0.2	4.5±0.2
W	2.5±0.2	3.2±0.2
H	2.0±0.2	
L1	0.6±0.2	0.8±0.2
W1	1.4±0.3	
W2	2.3±0.2	3.0±0.2
H1	1.5±0.3	
t	0.15±0.05	

TCR, RESISTANCE RANGE, TOLERANCE, RATED POWER

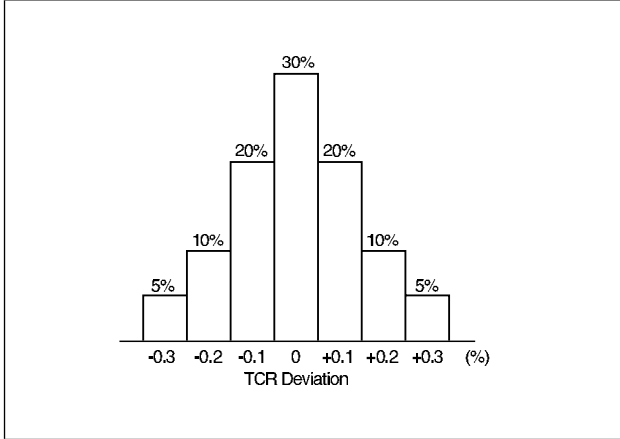
Type	TCR (ppm/°C)	Resistance Range (Ω)	Resistance Tolerance (%)* at 0°C	Rated Power (W) at 70°C
NMP	+6,060±2% (0 to 25°C)	5 to 250	± 0.5 (D) ± 1.0 (F) ± 2.0 (G) ± 5.0 (J)	0.1
NMQ	+6,260±2% (0 to 50°C)			0.125
NLA	+6,060±1% (0 to 25°C)	5 to 500		0.125
NLB	+6,260±1% (0 to 50°C)			0.25
CLA	+6,660±1% (0 to 100°C)	5 to 100		0.125
CLB	+4,250±1% (0 to 100°C)	5 to 200	0.25	
KLC	See Fig.1 on next page			0.25

*Symbols parenthesized are for type number composition.

TAPE AND REEL PACKAGE (BASED ON EIA-481-1)

For details, refer to MP, MQ Series datasheet.

TCR SPREAD FROM NOMINAL AND DISTRIBUTION



TEMPERATURE CHARACTERISTICS OF RESISTANCE

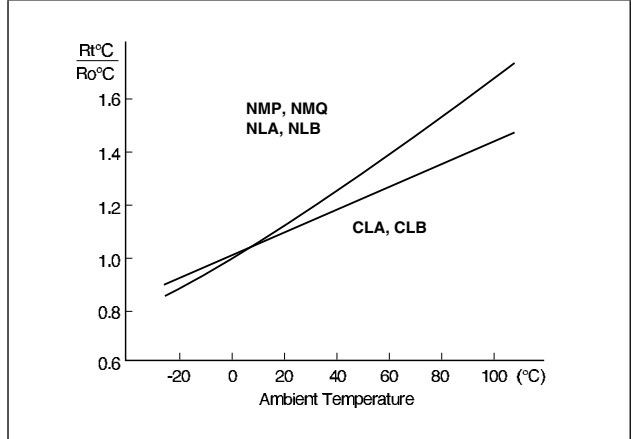
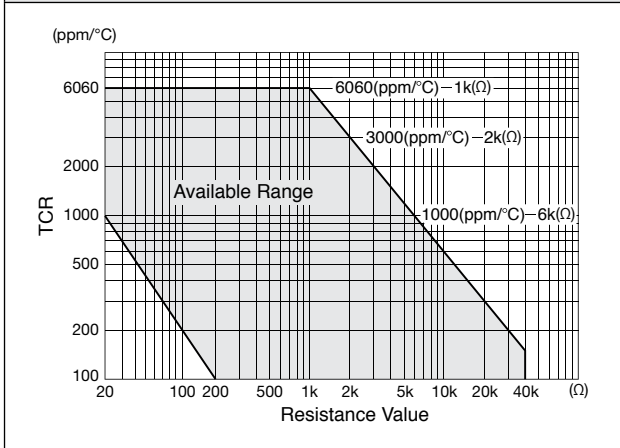
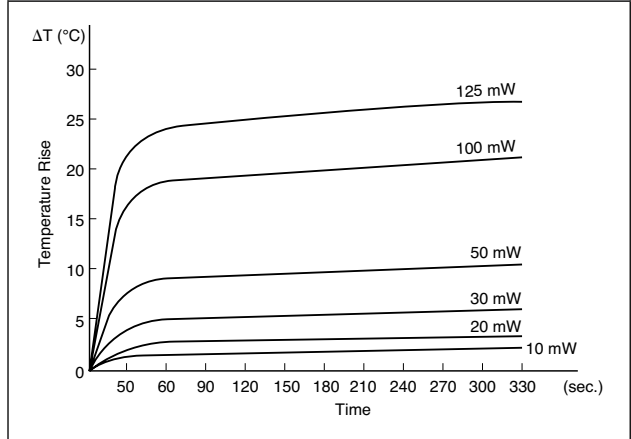


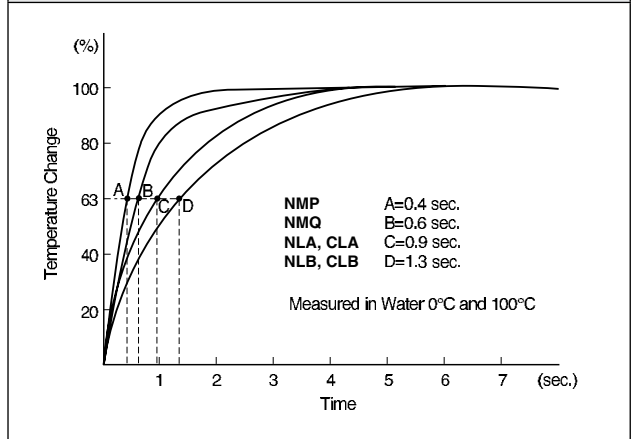
FIG. 1 TCR AND RESISTANCE AVAILABLE IN KLC TYPE



TEMPERATURE OF RESISTOR SURFACE



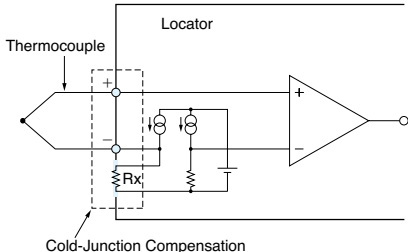
RESPONSE TIME TO TEMPERATURE CHANGE



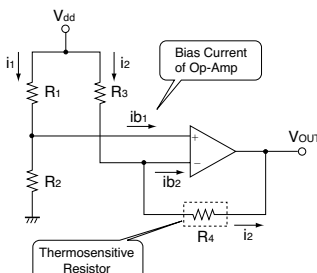
PERFORMANCE			
Parameters	Test Condition	ALPHA Specification	ALPHA Typical Test Data
Working Temperature Range Max. Rated Operating Temp. Maximum Working Voltage		-25°C to +125°C 70°C NMP: 50V; NMQ: 100V NLA, CLA: 250V; NLB, CLB, KLC: 300V	
Temperature Cycling Overload	-25°C/30 min., Room Temperature/5 min., +125°C/30 min., 5 cycles Rated Voltage x 2.5, 5 sec.	±0.2% ±0.2%	±0.03% ±0.03%
Solderability Resistance to Solvents	235°C, 2 sec. ● Isopropyl Alcohol ● Trichloroethylene	over 75% coverage no damage	
Low Temperature Storage Terminal Strength	-25°C, No Load, 2 hrs. 0.908 kg (2 pounds), 10 sec.	±0.2% ±0.2%	±0.03% ±0.03%
Dielectric Withstanding Voltage Insulation Resistance Resistance to Soldering Heat Moisture Resistance	Atmospheric: AC 300V, 1 min. DC 100V, 1 min. 350°C, 3 sec. +65°C to -10°C, 90% RH to 98% RH, Rated Voltage, 10 cycles (240 hrs.)	±0.2% over 10,000 MΩ ±0.2% ±0.5%	±0.03% over 10,000 MΩ ±0.01% ±0.02%
Shock Vibration	50G, 11 ms, Half-Sine Wave, X, Y, Z, each 3 shocks 20G, 10 Hz to 55 Hz to 10 Hz, 1 min., X, Y, Z, each 2 hrs.	±0.2% ±0.2%	±0.03% ±0.03%
Life (Rated Load)	70°C, Rated Power, 1.5 hr. – ON, 0.5 hr. – OFF, 1,000 hrs.	±0.5%	±0.03%
Life (Moisture Load)	40°C, 90% RH to 95% RH, Rated Power, 1.5 hr. – ON, 0.5 hr. – OFF, 1,000 hrs.	±0.5%	±0.03%
Storage Life	15°C to 35°C, 15% RH to 75% RH, No Load, 10,000 hrs.	±0.5%	±0.05%
High Temperature Exposure	125°C, No Load, 1,000 hrs.	±1.0 %	±0.1 %

APPLICATIONS OF THERMOSENSITIVE RESISTORS

Example: Cold-junction compensation for temperature measurement using thermocouple



Example: Temperature-sensing circuit



As shown in:

$$V_{OUT} = \left(\frac{R_2}{R_1+R_2} - \frac{R_1}{R_1+R_2} \times \frac{R_4}{R_3} \right) \times V_{dd}$$

Op-Amp output (V_{out}) becomes zero when R_1/R_2 and R_3/R_4 are balanced. So, output voltage ΔV_{out} is $\pm i_2 \times \Delta R_4$ when R_4 is changed to ΔR_4 from balanced point, $i_1=i_2$ and offset voltage is zero. The formula is as follows:

$$V_{OUT} = - \left(\frac{R_1}{R_1+R_2} \times \frac{1}{R_3} \right) \times \Delta R_4 \times V_{dd}$$

PRECAUTION IN USING NMP AND NMQ RESISTORS

1. Storage
Storage condition or environment may adversely affect solderability of the exterior terminals. Do not store in high temperature and humidity. The recommended storage environment is lower than 40°C, has less than 70% RH humidity and is free from harmful gases such as sulphur and chlorine.

2. Caution in Soldering

● Hand Soldering
Hand soldering is applicable as shown at right.
Recommended

- Temperature of Iron Tip: 240°C to 270°C
- Power of Iron: 20W or less
- Diameter of Tip: Dia. 3 mm max.

● Solder Reflow in Furnace
Recommended

- Peak Temperature: 250+0/-5°C
- Holding time: 10 sec. max.

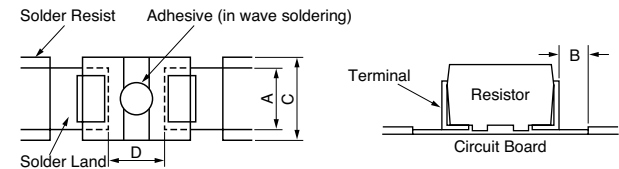
● Dipping in Solder (Wave or Still)
Recommended

- Temp. of Solder: 260°C max.
- Length of Dipping: 10 sec. max.
- To cool gradually at room temperature

● Other
Corrosion-free flux, such as rosin, is recommended.
Do not apply pressure to the molded housing immediately after soldering.

3. Cleaning
Use volatile cleaner such as methylalcohol or propylalcohol.

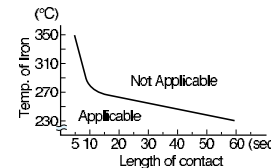
4. Circuit Board Design
The dimensions of solder land must be determined in conformity with the size of resistors and with the soldering method. They are also subject to the mounting machine and the material of the substrate. See example below.



Type	A	B	C	D
NMP	1.6 to 2.0	0.5 to 1.5	2.2 to 2.6	1.8
NMQ				2.5

Dimensions in mm

When parts are mounted on a board in high density, solder can possibly attach to the resistors in an excessive amount to affect performance or reliability of the resistors. To prevent this effect, the use of solder resist is recommended to isolate solder lands.





Disclaimer

ALL PRODUCTS, PRODUCT SPECIFICATIONS AND DATA ARE SUBJECT TO CHANGE WITHOUT NOTICE.

Vishay Precision Group, Inc., its affiliates, agents, and employees, and all persons acting on its or their behalf (collectively, "VPG"), disclaim any and all liability for any errors, inaccuracies or incompleteness contained herein or in any other disclosure relating to any product.

The product specifications do not expand or otherwise modify VPG's terms and conditions of purchase, including but not limited to, the warranty expressed therein.

VPG makes no warranty, representation or guarantee other than as set forth in the terms and conditions of purchase. **To the maximum extent permitted by applicable law, VPG disclaims (i) any and all liability arising out of the application or use of any product, (ii) any and all liability, including without limitation special, consequential or incidental damages, and (iii) any and all implied warranties, including warranties of fitness for particular purpose, non-infringement and merchantability.**

Information provided in datasheets and/or specifications may vary from actual results in different applications and performance may vary over time. Statements regarding the suitability of products for certain types of applications are based on VPG's knowledge of typical requirements that are often placed on VPG products. It is the customer's responsibility to validate that a particular product with the properties described in the product specification is suitable for use in a particular application. You should ensure you have the current version of the relevant information by contacting VPG prior to performing installation or use of the product, such as on our website at vpgsensors.com.

No license, express, implied, or otherwise, to any intellectual property rights is granted by this document, or by any conduct of VPG.

The products shown herein are not designed for use in life-saving or life-sustaining applications unless otherwise expressly indicated. Customers using or selling VPG products not expressly indicated for use in such applications do so entirely at their own risk and agree to fully indemnify VPG for any damages arising or resulting from such use or sale. Please contact authorized VPG personnel to obtain written terms and conditions regarding products designed for such applications.

Product names and markings noted herein may be trademarks of their respective owners.

Copyright Vishay Precision Group, Inc., 2014. All rights reserved.