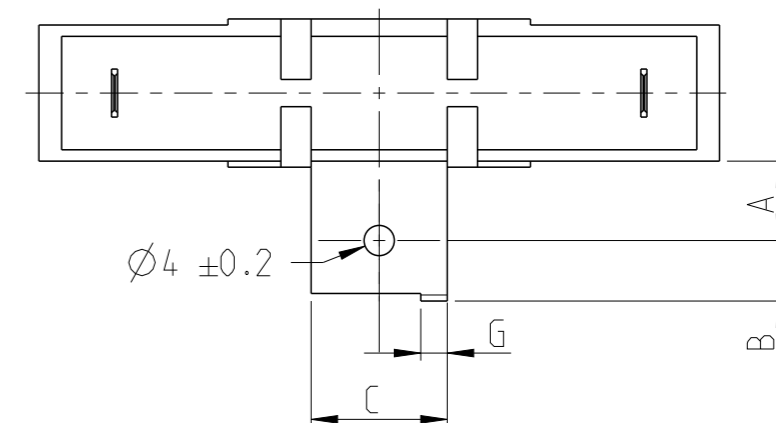
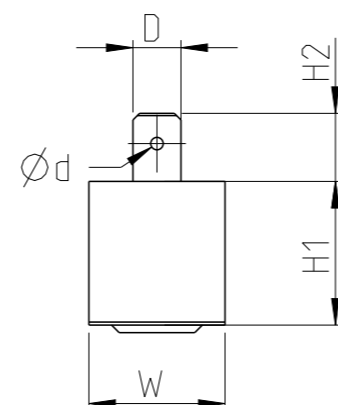
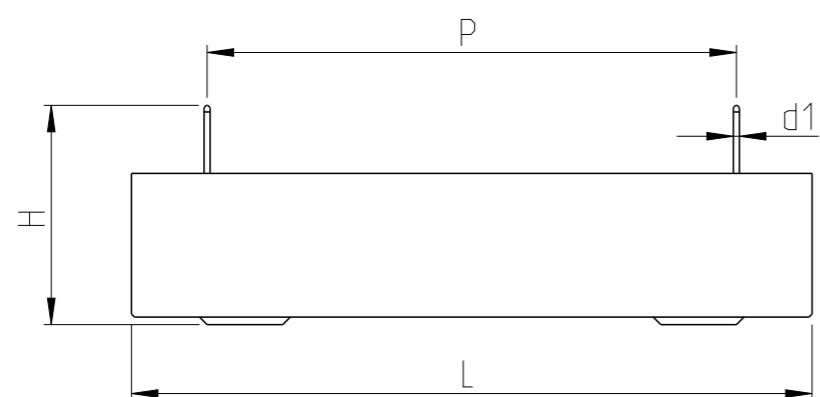


REVISIONS

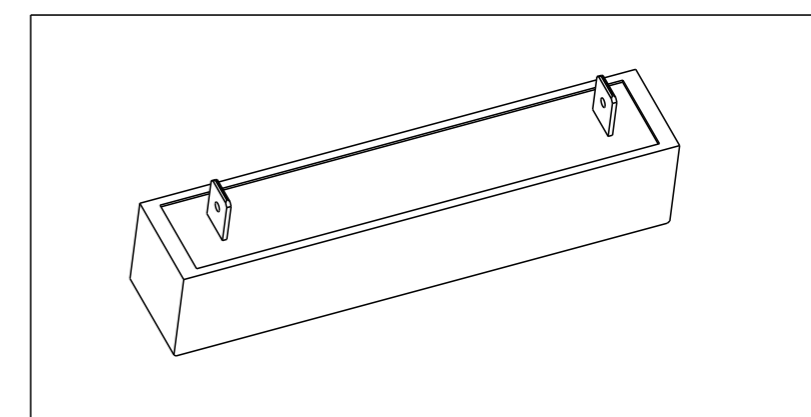
P	LTR	DESCRIPTION	DATE	DWN	APVD
	BA	NEW DRAWING RELEASE	01AUG2023	DM	AP

FOR FURTHER INFORMATION SEE DATA SHEET FOR HIGH POWER RESISTORS TYPE SQB SERIES



TYPE	W ±1	H ±1.5	L ±1	P ±1	H1 ±1	D ±0.25	H2 ±0.5	d ±0.2	d1 ±0.03	A ±0.5	B ±0.5	C ±0.5	G ±0.5
SQB 60W	18	28	90	70	19	6.35	9	1.65	0.8	10.5	8	18	3.5

RoHS Compliant


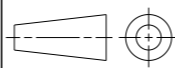


THIS DRAWING IS A CONTROLLED DOCUMENT.		DWN DHEERAJ M 01AUG2023												
DIMENSIONS: mm		CHK TRACY G 01AUG2023												
TOLERANCES UNLESS OTHERWISE SPECIFIED:		APVD ALLAN P 01AUG2023												
<table border="1"> <tr><td>0 PLC</td><td>±</td></tr> <tr><td>1 PLC</td><td>±</td></tr> <tr><td>2 PLC</td><td>±</td></tr> <tr><td>3 PLC</td><td>±</td></tr> <tr><td>4 PLC</td><td>±</td></tr> <tr><td>ANGLES</td><td>±</td></tr> </table>		0 PLC			±	1 PLC	±	2 PLC	±	3 PLC	±	4 PLC	±	ANGLES
0 PLC	±													
1 PLC	±													
2 PLC	±													
3 PLC	±													
4 PLC	±													
ANGLES	±													
MATERIAL -		FINISH -	APPLICATION SPEC -	NAME HIGH POWER RESISTORS TYPE SQB 60W SERIES										
		WEIGHT -	SIZE A3	CAGE CODE 00779										
		CUSTOMER DRAWING	DRAWING NO C=2176632	RESTRICTED TO -										
			SCALE 1:1	SHEET 1 OF 4										
				REV BA										

REVISIONS

P	LTR	DESCRIPTION	DATE	DWN	APVD
	-	SEE SHEET 1	-	-	-


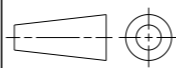
SCHEDULE			
TCPN	CATALOGUE NUMBER	PART DESCRIPTION	PART STATUS
2176632-1	SQBW 601R0J	SQB60 1R0 (W IRE) 5% FASTON	PRODUCTION
2176632-2	SQBW 601R1J	SQB60 1R1 (W IRE) 5% FASTON	PRODUCTION
2176632-3	SQBW 601R2J	SQB60 1R2 (W IRE) 5% FASTON	PRODUCTION
2176632-4	SQBW 601R3J	SQB60 1R3 (W IRE) 5% FASTON	PRODUCTION
2176632-5	SQBW 601R5J	SQB60 1R5 (W IRE) 5% FASTON	PRODUCTION
2176632-6	SQBW 601R6J	SQB60 1R6 (W IRE) 5% FASTON	PRODUCTION
2176632-7	SQBW 601R8J	SQB60 1R8 (W IRE) 5% FASTON	PRODUCTION
2176632-8	SQBW 602R0J	SQB60 2R0 (W IRE) 5% FASTON	PRODUCTION
2176632-9	SQBW 602R2J	SQB60 2R2 (W IRE) 5% FASTON	PRODUCTION
1-2176632-0	SQBW 602R4J	SQB60 2R4 (W IRE) 5% FASTON	PRODUCTION
1-2176632-1	SQBW 602R7J	SQB60 2R7 (W IRE) 5% FASTON	PRODUCTION
1-2176632-2	SQBW 603R0J	SQB60 3R0 (W IRE) 5% FASTON	PRODUCTION
1-2176632-3	SQBW 603R3J	SQB60 3R3 (W IRE) 5% FASTON	PRODUCTION
1-2176632-4	SQBW 603R6J	SQB60 3R6 (W IRE) 5% FASTON	PRODUCTION
1-2176632-5	SQBW 603R9J	SQB60 3R9 (W IRE) 5% FASTON	PRODUCTION
1-2176632-6	SQBW 604R3J	SQB60 4R3 (W IRE) 5% FASTON	PRODUCTION
1-2176632-7	SQBW 604R7J	SQB60 4R7 (W IRE) 5% FASTON	PRODUCTION
1-2176632-8	SQBW 605R1J	SQB60 5R1 (W IRE) 5% FASTON	PRODUCTION
1-2176632-9	SQBW 605R6J	SQB60 5R6 (W IRE) 5% FASTON	PRODUCTION
2-2176632-0	SQBW 606R2J	SQB60 6R2 (W IRE) 5% FASTON	PRODUCTION
2-2176632-1	SQBW 606R8J	SQB60 6R8 (W IRE) 5% FASTON	PRODUCTION
2-2176632-2	SQBW 607R5J	SQB60 7R5 (W IRE) 5% FASTON	PRODUCTION
2-2176632-3	SQBW 608R2J	SQB60 8R2 (W IRE) 5% FASTON	PRODUCTION
2-2176632-4	SQBW 609R1J	SQB60 9R1 (W IRE) 5% FASTON	PRODUCTION
2-2176632-5	SQBW 6010RJ	SQB60 10R (W IRE) 5% FASTON	PRODUCTION
2-2176632-6	SQBW 6011RJ	SQB60 11R (W IRE) 5% FASTON	PRODUCTION
2-2176632-7	SQBW 6012RJ	SQB60 12R (W IRE) 5% FASTON	PRODUCTION
2-2176632-8	SQBW 6013RJ	SQB60 13R (W IRE) 5% FASTON	PRODUCTION
2-2176632-9	SQBW 6015RJ	SQB60 15R (W IRE) 5% FASTON	PRODUCTION
3-2176632-0	SQBW 6016RJ	SQB60 16R (W IRE) 5% FASTON	PRODUCTION

THIS DRAWING IS A CONTROLLED DOCUMENT.		DWN DHEERAJ M 01AUG2023	 TE Connectivity	
DIMENSIONS: mm		CHK TRACY G 01AUG2023		
		APVD ALLAN P 01AUG2023		
TOLERANCES UNLESS OTHERWISE SPECIFIED:		PRODUCT SPEC	NAME HIGH POWER RESISTORS TYPE SQB 60W SERIES	
0 PLC ±		APPLICATION SPEC	-	
1 PLC ±		WEIGHT	-	
2 PLC ±		CUSTOMER DRAWING	SIZE	RESTRICTED TO
3 PLC ±			A3	-
4 PLC ±		CAGE CODE	00779	DRAWING NO
ANGLES ±		FINISH	©=2176632	SCALE
MATERIAL		SCALE	1:1	SHEET
-		FINISH	-	2 OF 4
-		FINISH	-	REV
-		FINISH	-	BA

REVISIONS

P	LTR	DESCRIPTION	DATE	DWN	APVD
	-	SEE SHEET 1	-	-	-

SCHEDULE			
TCPN	CATALOGUE NUMBER	PART DESCRIPTION	PART STATUS
3-2176632-1	SQBW 6018RJ	SQB60 18R (WIRE) 5% FASTON	PRODUCTION
3-2176632-2	SQBW 6020RJ	SQB60 20R (WIRE) 5% FASTON	PRODUCTION
3-2176632-3	SQBW 6022RJ	SQB60 22R (WIRE) 5% FASTON	PRODUCTION
3-2176632-4	SQBW 6024RJ	SQB60 24R (WIRE) 5% FASTON	PRODUCTION
3-2176632-5	SQBW 6027RJ	SQB60 27R (WIRE) 5% FASTON	PRODUCTION
3-2176632-6	SQBW 6030RJ	SQB60 30R (WIRE) 5% FASTON	PRODUCTION
3-2176632-7	SQBW 6033RJ	SQB60 33R (WIRE) 5% FASTON	PRODUCTION
3-2176632-8	SQBW 6036RJ	SQB60 36R (WIRE) 5% FASTON	PRODUCTION
3-2176632-9	SQBW 6039RJ	SQB60 39R (WIRE) 5% FASTON	PRODUCTION
4-2176632-0	SQBW 6043RJ	SQB60 43R (WIRE) 5% FASTON	PRODUCTION
4-2176632-1	SQBW 6047RJ	SQB60 47R (WIRE) 5% FASTON	PRODUCTION
4-2176632-2	SQBW 6051RJ	SQB60 51R (WIRE) 5% FASTON	PRODUCTION
4-2176632-3	SQBW 6056RJ	SQB60 56R (WIRE) 5% FASTON	PRODUCTION
4-2176632-4	SQBW 6062RJ	SQB60 62R (WIRE) 5% FASTON	PRODUCTION
4-2176632-5	SQBW 6068RJ	SQB60 68R (WIRE) 5% FASTON	PRODUCTION
4-2176632-6	SQBW 6075RJ	SQB60 75R (WIRE) 5% FASTON	PRODUCTION
4-2176632-7	SQBW 6082RJ	SQB60 82R (WIRE) 5% FASTON	PRODUCTION
4-2176632-8	SQBW 6091RJ	SQB60 91R (WIRE) 5% FASTON	PRODUCTION
4-2176632-9	SQBW 60100RJ	SQB60 100R (WIRE) 5% FASTON	PRODUCTION
5-2176632-0	SQBW 60110RJ	SQB60 110R (WIRE) 5% FASTON	PRODUCTION
5-2176632-1	SQBW 60120RJ	SQB60 120R (WIRE) 5% FASTON	PRODUCTION
5-2176632-2	SQBW 60130RJ	SQB60 130R (WIRE) 5% FASTON	PRODUCTION
5-2176632-3	SQBW 60150RJ	SQB60 150R (WIRE) 5% FASTON	PRODUCTION
5-2176632-4	SQBW 60160RJ	SQB60 160R (WIRE) 5% FASTON	PRODUCTION
5-2176632-5	SQBW 60180RJ	SQB60 180R (WIRE) 5% FASTON	PRODUCTION
5-2176632-6	SQBW 60200RJ	SQB60 200R (WIRE) 5% FASTON	PRODUCTION
5-2176632-7	SQBW 60220RJ	SQB60 220R (WIRE) 5% FASTON	PRODUCTION
5-2176632-8	SQBW 60240RJ	SQB60 240R (WIRE) 5% FASTON	PRODUCTION
5-2176632-9	SQBW 60270RJ	SQB60 270R (WIRE) 5% FASTON	PRODUCTION
6-2176632-0	SQBW 60300RJ	SQB60 300R (WIRE) 5% FASTON	PRODUCTION

THIS DRAWING IS A CONTROLLED DOCUMENT.		DWN DHEERAJ M 01AUG2023	 TE Connectivity	
DIMENSIONS: mm		CHK TRACY G 01AUG2023		
		APVD ALLAN P 01AUG2023		
TOLERANCES UNLESS OTHERWISE SPECIFIED:		PRODUCT SPEC	NAME HIGH POWER RESISTORS TYPE SQB 60W SERIES	
0 PLC ±		APPLICATION SPEC	-	
1 PLC ±		WEIGHT	-	
2 PLC ±		CUSTOMER DRAWING	SIZE A3	RESTRICTED TO -
3 PLC ±		SCALE 1:1	CAGE CODE 00779	DRAWING NO C=2176632
4 PLC ±		SCALE 1:1	SHEET 3 OF 4	REV BA
ANGLES ±				
FINISH				
MATERIAL				

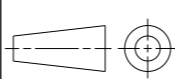
REVISIONS

P	LTR	DESCRIPTION	DATE	DWN	APVD
-		SEE SHEET 1	-	-	-

SCHEDULE


TCPN	CATALOGUE NUMBER	PART DESCRIPTION	PART STATUS
6-2176632-1	SQBW 60330RJ	SQB60 330R (WIRE) 5% FASTON	PRODUCTION
6-2176632-2	SQBW 60360RJ	SQB60 360R (WIRE) 5% FASTON	PRODUCTION
6-2176632-3	SQBW 60390RJ	SQB60 390R (WIRE) 5% FASTON	PRODUCTION
6-2176632-4	SQBW 60430RJ	SQB60 430R (WIRE) 5% FASTON	PRODUCTION
6-2176632-5	SQBW 60470RJ	SQB60 470R (WIRE) 5% FASTON	PRODUCTION
6-2176632-6	SQBW 60510RJ	SQB60 510R (WIRE) 5% FASTON	PRODUCTION
6-2176632-7	SQBW 60560RJ	SQB60 560R (WIRE) 5% FASTON	PRODUCTION
6-2176632-8	SQBW 60620RJ	SQB60 620R (WIRE) 5% FASTON	PRODUCTION
6-2176632-9	SQBW 60680RJ	SQB60 680R (WIRE) 5% FASTON	PRODUCTION
7-2176632-0	SQBW 60750RJ	SQB60 750R (WIRE) 5% FASTON	PRODUCTION
7-2176632-1	SQBW 60820RJ	SQB60 820R (WIRE) 5% FASTON	PRODUCTION
7-2176632-2	SQBW 60910RJ	SQB60 910R (WIRE) 5% FASTON	PRODUCTION
7-2176632-3	SQBW 601K0J	SQB60 1K0 (WIRE) 5% FASTON	PRODUCTION
7-2176632-4	SQBW 601K1J	SQB60 1K1 (WIRE) 5% FASTON	PRODUCTION
7-2176632-5	SQBW 601K2J	SQB60 1K2 (WIRE) 5% FASTON	PRODUCTION
7-2176632-6	SQBW 601K3J	SQB60 1K3 (WIRE) 5% FASTON	PRODUCTION
7-2176632-7	SQBW 601K5J	SQB60 1K5 (WIRE) 5% FASTON	PRODUCTION
7-2176632-8	SQBW 601K6J	SQB60 1K6 (WIRE) 5% FASTON	PRODUCTION
7-2176632-9	SQBW 601K8J	SQB60 1K8 (WIRE) 5% FASTON	PRODUCTION
8-2176632-0	SQBW 602K0J	SQB60 2K0 (WIRE) 5% FASTON	PRODUCTION
8-2176632-1	SQBW 602K2J	SQB60 2K2 (WIRE) 5% FASTON	PRODUCTION
8-2176632-2	SQBW 602K4J	SQB60 2K4 (WIRE) 5% FASTON	PRODUCTION
8-2176632-3	SQBW 602K7J	SQB60 2K7 (WIRE) 5% FASTON	PRODUCTION
8-2176632-4	SQBW 603K0J	SQB60 3K0 (WIRE) 5% FASTON	PRODUCTION

THIS DRAWING IS A CONTROLLED DOCUMENT.

DIMENSIONS: mm	
MATERIAL -	

TOLERANCES UNLESS OTHERWISE SPECIFIED:	0 PLC ± 1 PLC ± 2 PLC ± 3 PLC ± 4 PLC ± ANGLES ±
FINISH	-

DWN DHEERAJ M	01AUG2023
CHK TRACY G	01AUG2023
APVD ALLAN P	01AUG2023
PRODUCT SPEC	-
APPLICATION SPEC	-
WEIGHT	-
CUSTOMER DRAWING	

		TE Connectivity	
NAME HIGH POWER RESISTORS TYPE SQB 60W SERIES			
SIZE	CAGE CODE	DRAWING NO	RESTRICTED TO
A3	00779	©=2176632	-
SCALE 1:1		SHEET 4 OF 4	REV BA

D

D

C

C

B

B

A

A