

Discontinued

**ERG(X)S type (Small size)**

(0.5 W, 1 W, 2 W, 3 W, 5 W)

**ERG(X)F type (Anti-heat conducting for PCB)**

(1 W, 2 W, 3 W, 5 W)

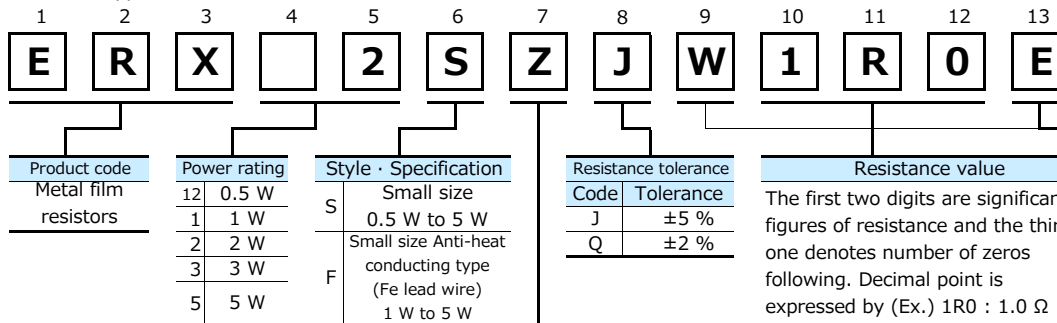


**Features**

- Miniaturized 50 % smaller compared to existing models
- Non-flammable
- High reliability
- Automatic insertion
- Reference standards : IEC 60115-2, IEC 60115-4, JIS C 5201-4, EIAJ RC-2138
- RoHS compliant

**Explanation of part numbers**

Ex.1 : ERX type



Product code	
Metal film resistors	

Power rating	
12	0.5 W
1	1 W
2	2 W
3	3 W
5	5 W

Style · Specification	
S	Small size 0.5 W to 5 W
F	Small size Anti-heat conducting type (Fe lead wire) 1 W to 5 W

Resistance tolerance	
Code	Tolerance
J	±5 %
Q	±2 %

**Resistance value**  
The first two digits are significant figures of resistance and the third one denotes number of zeros following. Decimal point is expressed by (Ex.) 1R0 : 1.0 Ω

"Z" is added according to resistance.

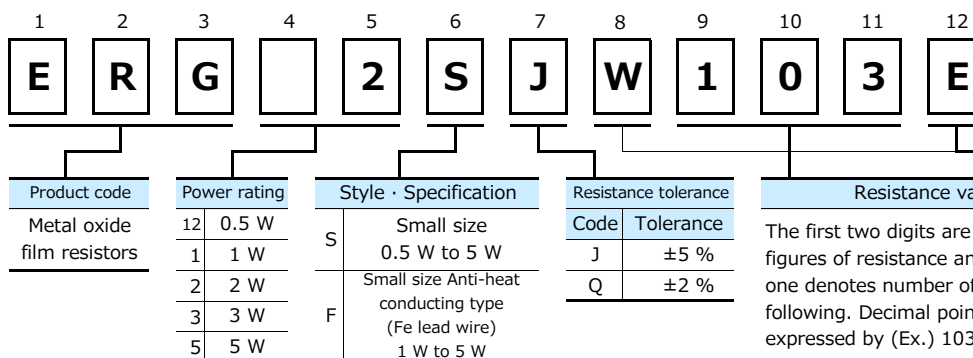
Part No.	Resistance tolerance	Resistance value range(Ω)	
		ERX□□SZ	ERX□□S
ERX12S	±5 %	0.10 to 0.18	0.20 to 9.1
	±2 %	0.10 to 0.91	1.0 to 9.1
ERX1S	±5 %	0.10 to 0.18	0.20 to 9.1
ERX1F	±2 %	0.10 to 0.91	1.0 to 9.1
ERX2S	±5 %	0.10 to 0.20	0.22 to 9.1
ERX2F	±2 %	0.10 to 0.91	1.0 to 9.1
ERX3S	±5 %	0.10 to 0.20	0.22 to 9.1
ERX3F	±2 %	0.10 to 0.91	1.0 to 9.1
ERX5S	±5 %	-	0.33 to 9.1
ERX5F	±2 %	-	1.0 to 9.1

The matrix of forming and packaging is as shown in the table below.

Code	Forming / Packaging	Forming & taping matrix								
		12S	1S	2S	3S	5S	1F	2F	3F	5F
□...□	Straight lead wire type	○	○	○	○	○	○	○	○	○
□...P	Cut & Forming type	○	○	○	○	○				
□...V	Axial taping type (Straight lead)	○	○	○	○		○	○	○	
U...V	Axial taping type (Stand off)		○	○	○					
□...E	Radial taping type (E type)	○	○	○						
W...E	Radial taping type (WE type)	○	○	○	○					
□...H	Cut & Forming type						○	○	○	○
S...E	Radial taping type (SE type)						○	○	○	

The above example 1 shows a small metal film resistor, 2 W power rating, resistance value of 1.0 Ω, tolerance ±5 %, and package of radial taping.

Ex.2 : ERG type



Product code	
Metal oxide film resistors	

Power rating	
12	0.5 W
1	1 W
2	2 W
3	3 W
5	5 W

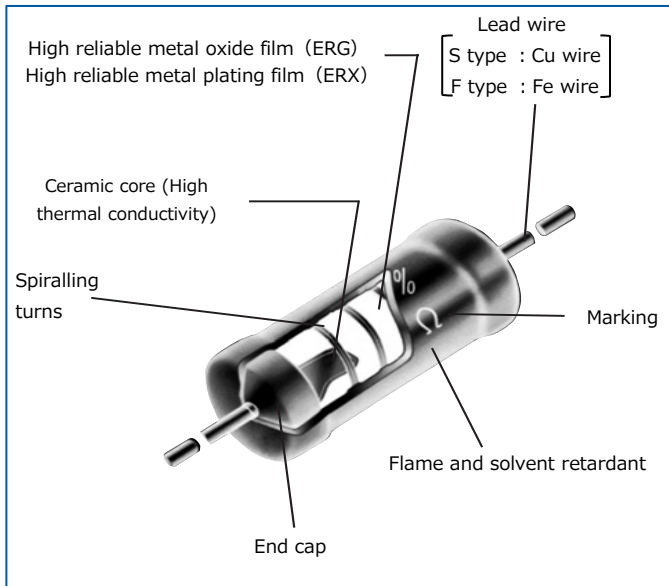
Style · Specification	
S	Small size 0.5 W to 5 W
F	Small size Anti-heat conducting type (Fe lead wire) 1 W to 5 W

Resistance tolerance	
Code	Tolerance
J	±5 %
Q	±2 %

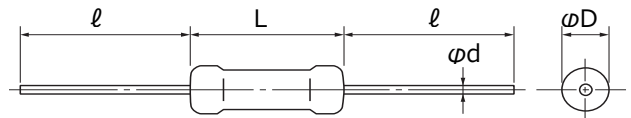
**Resistance value**  
The first two digits are significant figures of resistance and the third one denotes number of zeros following. Decimal point is expressed by (Ex.) 103 : 10 kΩ

The above example 2 shows a small metal oxide film resistor, 2 W power rating, resistance value of 10 kΩ, tolerance ±5 %, and package of radial taping.

Construction



Dimensions in mm (not to scale)



Unit : mm

Part No.	Dimensions				Mass (Weight) (g/ pc)
	L	φD	l	φd	
ERG(X)12S	6.35 <sup>+0.65</sup> <sub>-0.35</sub>	2.3 <sup>+0.5</sup> <sub>-0.3</sub>	30.0 ±3.0	0.65 ±0.05	0.26
ERG(X)1S	9.00 <sup>+1.50</sup> <sub>-1.00</sub>	2.8 ±0.5	30.0 ±3.0	0.65 ±0.05	0.33
ERG(X)1F				0.80 ±0.05	
ERG(X)2S	12.00 <sup>+1.50</sup> <sub>-1.00</sub>	4.0 ±1.0	30.0 ±3.0	0.80 ±0.05	0.66
ERG(X)2F					
ERG(X)3S	15.00 ±1.50	5.5 ±1.0	38.0 ±3.0	0.80 ±0.05	1.47
ERG(X)3F					
ERG(X)5S	24.00 ±1.50	8.0 ±1.0	38.0 ±3.0	0.80 ±0.05	3.54
ERG(X)5F					

Ratings

Part No.	Power rating (70 °C) (W)	Limiting element voltage*1 (V)	Maximum overload voltage*2 (V)	Maximum intermittent overload voltage*3 (V)	Dielectric withstanding voltage (V)	Resistance tolerance*4 (%)	Resistance range*5 (Ω)		T.C.R. (×10 <sup>-6</sup> /K)	Standard resistance value
							min.*6	max.		
ERG(X)12S	0.5	300	600	600	350	G (±2)	1	22 k	±350	E 24
						J (±5)	0.2	47 k		
ERG(X)1S	1	350	600	600	350	G (±2)	1	68 k	±350	E 24
ERG(X)1F						J (±5)	0.2	100 k		
ERG(X)2S	2	350	700	1000	600	G (±2)	1	100 k	±350	E 24
ERG(X)2F						J (±5)	0.22	100 k		
ERG(X)3S	3	350	700	1000	1000	G (±2)	1	100 k	±300	E 24
ERG(X)3F						J (±5)	0.22	100 k		
ERG(X)5S	5	500	1000	1500	1000	G (±2)	1	100 k	±200	E 24
ERG(X)5F						J (±5)	0.33	100 k		

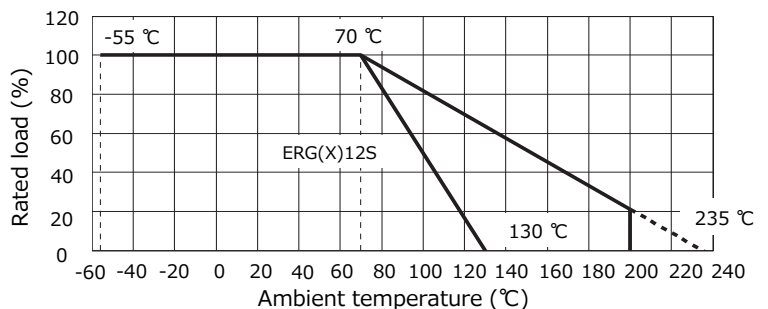
- \*1: Rated Continuous Working Voltage (RCWV) shall be determined from  $RCWV = \sqrt{\text{Power Rating} \times \text{Resistance Value}}$ , or Limiting Element Voltage listed above, whichever less.
- \*2: Overload (Short-time Overload) Test Voltage (SOTV) shall be determined from  $SOTV = 2.5 \times \text{Power Rating}$  or max. Overload Voltage listed above whichever less.
- \*3: Intermittent Overload Test Voltage (IOTV) shall be determined from  $IOTV = 4.0 \times \text{Power Rating}$  or max. Intermittent Overload Voltage listed above whichever less.
- \*4: Resistance tolerance is of use besides range listed, please inquire.
- \*5: Resistance Range type ERG :  $\geq 10 \Omega$  , type ERX :  $\leq 9.1 \Omega$
- \*6: As for the low resistance value range, "Z" is given to the part number. (Refer to the explanation of part numbers.)

\* Z type is non standard resistance values.

Code	Part No.	Res.tol.	Resistance value range(Ω)	Code	Part No.	Res.tol.	Resistance value range(Ω)
Z	12S	±2 %	0.1 to 0.91	Z	2S	±2 %	0.1 to 0.91
		±5 %	0.1 to 0.18		2F	±5 %	0.1 to 0.2
	1S	±2 %	0.1 to 0.91		3S	±2 %	0.1 to 0.91
		±5 %	0.1 to 0.18		3F	±5 %	0.1 to 0.2

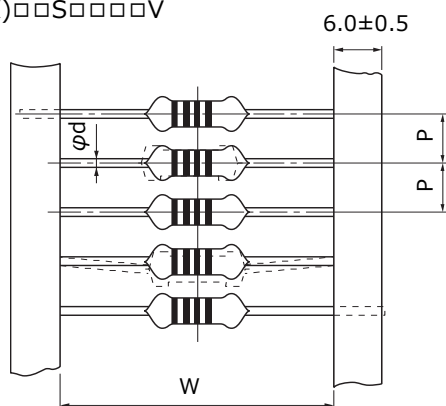
Power derating curve

For resistors operated in ambient temperatures above 70 °C, power rating shall be derated in accordance with the figure on the right.



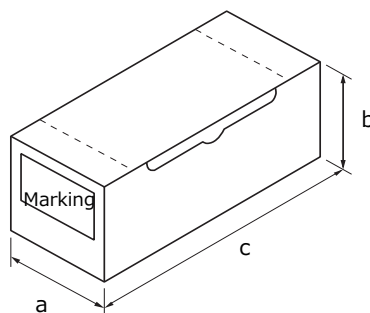
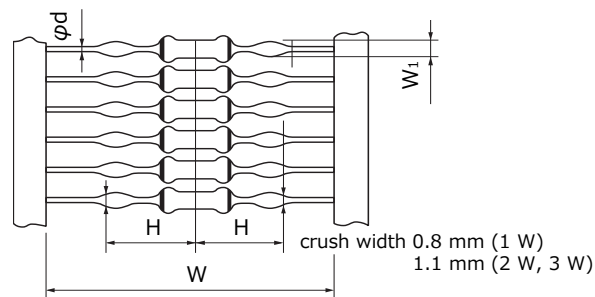
**Taped & Box**

ERG(X)□□S□□□□V



**Stand-off taped & Box**

ERG(X)□□S□U□□□V

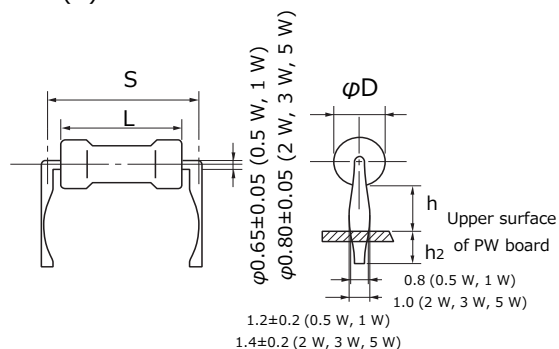


Unit : mm

Part No.	Standard quantity (pcs/box)	Taping dimensions						Box		
		p	50×P	W	H	W <sub>1</sub>	φd	a	b	c
ERG(X)12S□□□□□V	2,000	5.0 <sup>+0.3</sup>	250 <sup>±2</sup>	52.0 <sup>±1.5</sup>	-	-	0.65 <sup>+0.05</sup>	85	80	255
ERG(X)1S□□□□□V	2,000	5.0 <sup>+0.3</sup>	250 <sup>±2</sup>	52.0 <sup>±1.5</sup>	-	-	0.65 <sup>+0.05</sup>	85	80	255
ERG(X)1S□U□□□□V					12.0 <sup>0</sup> -2.0	1.20 <sup>+0.15</sup> 0				
ERG(X)2S□□□□□V	1,000	5.0 <sup>+0.3</sup>	250 <sup>±2</sup>	52.0 <sup>±1.5</sup>	-	-	0.80 <sup>+0.05</sup>	85	80	255
ERG(X)2S□U□□□□V					15.5 <sup>0</sup> -2.0	1.40 <sup>+0.15</sup> 0				
ERG(X)3S□□□□□V	1,000	10.0 <sup>+0.5</sup>	500 <sup>±2</sup>	74.0 <sup>±2.0</sup>	-	-	0.80 <sup>+0.05</sup>	105	100	325
ERG(X)3S□U□□□□V					23.0 <sup>0</sup> -2.0	1.40 <sup>+0.15</sup> 0				

**Cut & Formed type**

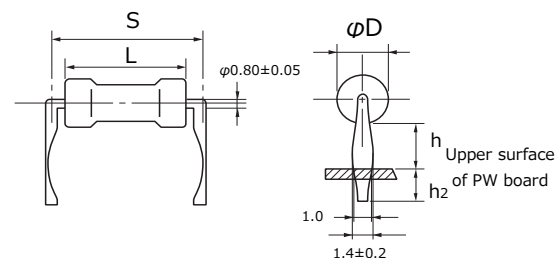
ERG(X)□□S□□□□P



Unit : mm

Part No.	Standard quantity (pcs/box)	Dimensions				
		L	φD	S	h	h <sub>2</sub>
ERG(X)12S□□□□□P	1,000	6.35 <sup>+0.65</sup> -0.35	2.3 <sup>+0.5</sup> -0.3	10.0 <sup>±1.5</sup>	4.0 <sup>±1.5</sup>	4.0 <sup>±1.5</sup>
ERG(X)1S□□□□□P	1,000	9.00 <sup>+1.50</sup> -1.00	2.8 <sup>±0.5</sup>	12.5 <sup>±1.5</sup>	4.0 <sup>±1.5</sup>	4.0 <sup>±1.5</sup>
ERG(X)2S□□□□□P	1,000	12.00 <sup>+1.50</sup> -1.00	4.0 <sup>±1.0</sup>	15.0 <sup>±1.5</sup>	6.0 <sup>±1.5</sup>	4.0 <sup>±1.5</sup>
ERG(X)3S□□□□□P	1,000	15.00 <sup>±1.50</sup>	5.5 <sup>±1.0</sup>	20.0 <sup>±2.0</sup>	6.5 <sup>±1.5</sup>	4.0 <sup>±1.5</sup>
ERG(X)5S□□□□□P	500	24.00 <sup>±1.50</sup>	8.0 <sup>±1.0</sup>	30.0 <sup>±2.0</sup>	7.5 <sup>±1.5</sup>	4.0 <sup>±1.5</sup>

ERG(X)□F□□□□H

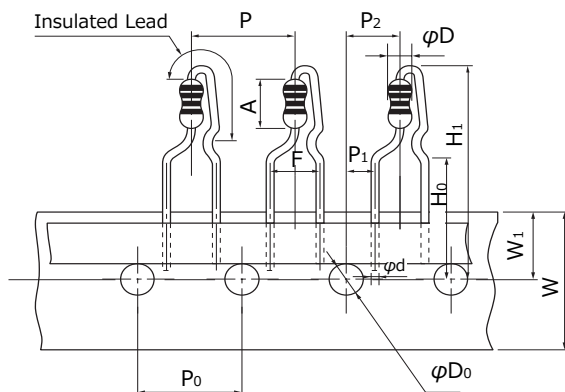


Unit : mm

Part No.	Standard quantity (pcs/box)	Dimensions				
		L	φD	S	h	h <sub>2</sub>
ERG(X)1F□□□□H	1,000	9.0 <sup>+1.5</sup> -1.0	2.8 <sup>±0.5</sup>	12.5 <sup>±1.5</sup>	8 <sup>±2</sup>	4.0 <sup>±1.5</sup>
ERG(X)2F□□□□H	1,000	12.0 <sup>+1.5</sup> -1.0	4.0 <sup>±1.0</sup>	15.0 <sup>±1.5</sup>	8 <sup>±2</sup>	5.0 <sup>±1.5</sup>
ERG(X)3F□□□□H	1,000	15.0 <sup>±1.5</sup>	5.5 <sup>±1.0</sup>	20.0 <sup>±2.0</sup>	10 <sup>±2</sup>	5.0 <sup>±1.5</sup>
ERG(X)5F□□□□H	500	24.0 <sup>±1.5</sup>	8.0 <sup>±1.0</sup>	30.0 <sup>±2.0</sup>	10 <sup>±2</sup>	5.0 <sup>±1.5</sup>

**For panasert automatic insertion machine radial taped & Box**

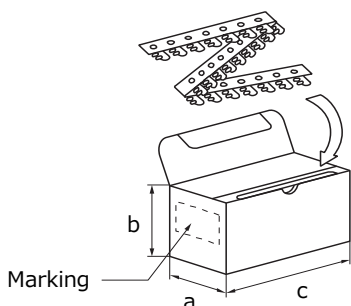
ERG(X)□□S□□□□E (12S, 1S, 2S)



Unit : mm

Dimensions												
P	12.7±1.0	W	18.0±0.5	H <sub>1</sub>	12S	32 max.	A	12S	6.35 <sup>+0.65</sup> <sub>-0.35</sub>	φD	12S	2.3 <sup>+0.5</sup> <sub>-0.3</sub>
P <sub>0</sub>	12.7±0.3	W <sub>1</sub>	9.0±0.5		1S	32 max.		1S	9.0 <sup>+1.5</sup> <sub>-1.0</sub>		1S	2.8±0.5
P <sub>1</sub>	3.85±0.70				2S	38 max.		2S	12.0 <sup>+1.5</sup> <sub>-1.0</sub>		2S	4.0±1.0
P <sub>2</sub>	6.35±1.00			H <sub>0</sub>	16.0±0.5		φd	0.65±0.05				
F	5.0±0.8			φD <sub>0</sub>	4.0±0.2							

● Radial Tape Package Specifications

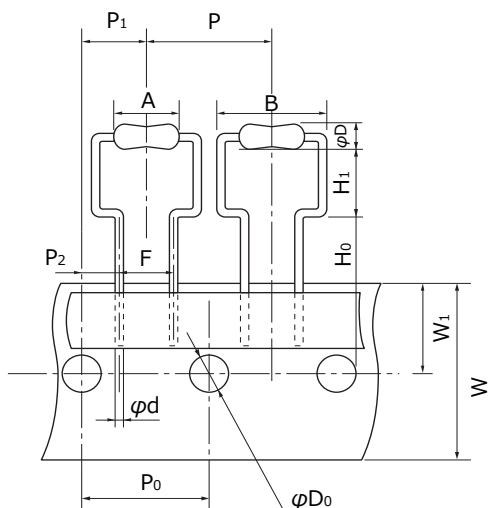


Unit : mm

Part No.	Standard quantity (pcs/box)	Dimensions		
		a	b	c
ERG(X)12S□□□□□E	2,000	46	130	335
ERG(X) 1S□□□□□E	2,000	46	130	335
ERG(X) 2S□□□□□E	1,000	49	100	335

**For Panasert Automatic Insertion Machine Radial Taped & Box**

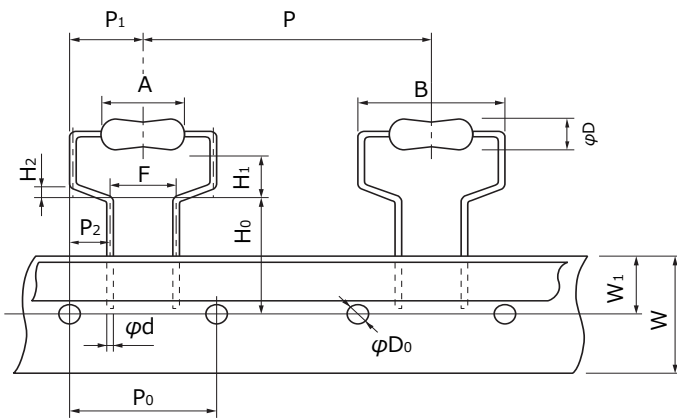
ERG(X)□□S□W□□□□E (12S, 1S, 2S, 3S)



Dimensions (mm)			Dimensions (mm)		
P	12S	12.7±1.0	φD <sub>0</sub>	12S, 1S, 2S, 3S	4.0±0.2
	1S, 2S, 3S	30.0±1.0		A	12S
P <sub>0</sub>	12S	12.7±0.3	1S		9.0 <sup>+1.5</sup> <sub>-1.0</sub>
	1S, 2S, 3S	15.0±0.3	2S		12.0 <sup>+1.5</sup> <sub>-1.0</sub>
P <sub>1</sub>	12S	6.35±1.00	B	3S	15.0±1.5
	1S, 2S, 3S	7.5±1.0		12S	11.2 max.
P <sub>2</sub>	12S	3.85±0.70		1S	14.0 max.
	1S, 2S, 3S	3.75±0.50	2S	17.0 max.	
F	12S	5.0±0.5	φD	3S	21.0 max.
	1S, 2S, 3S	7.5±0.8		12S	2.3 <sup>+0.5</sup> <sub>-0.3</sub>
W	12S, 1S, 2S, 3S	18.0±0.5		φD <sub>0</sub>	1S
W <sub>1</sub>	12S, 1S, 2S, 3S	9.0±0.5	2S		4.0±1.0
H <sub>0</sub>	12S	16.0±0.5	φd	3S	5.5±1.0
	1S, 2S	18.0±1.0		12S	φ0.65±0.05
	3S	19.0±1.0		1S, 2S, 3S	φ0.80±0.05
H <sub>1</sub>	12S	6.5 <sup>+0.6</sup> <sub>0</sub>			
	1S, 2S	6.5 <sup>+1.0</sup> <sub>0</sub>			
	3S	8.0 <sup>+1.0</sup> <sub>0</sub>			

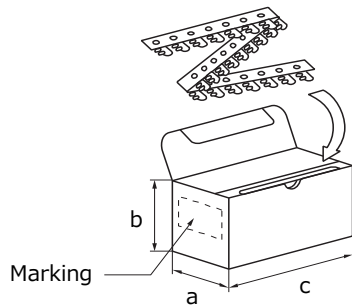
**For Panaset Au to mat ic Insertion Machine Radial Taped & Box**

ERG(X)□F□S□□□E (1F, 2F, 3F)



Dimensions (mm)		Dimensions (mm)	
P	30.0±1.0	H <sub>2</sub>	1.0±0.3
P <sub>0</sub>	15.0±0.3	φ D <sub>0</sub>	4.0±0.2
P <sub>1</sub>	7.5±1.0	A	1F 9.0 <sup>+1.5</sup> <sub>-1.0</sub>
P <sub>2</sub>	3.75±0.50		2F 12.0 <sup>+1.5</sup> <sub>-1.0</sub>
F	7.5±0.8		3F 15.0±1.5
W	18.0±0.5	B	1F 14.0 max.
W <sub>1</sub>	9.0±0.5		2F 17.0 max.
H <sub>0</sub>	16.0 <sup>+1.0</sup> <sub>0</sub>		3F 21.0 max.
H <sub>1</sub>	1F 7.0 <sup>+1.0</sup> <sub>0</sub>	φ D	1F 2.8±0.5
	2F 8.0 <sup>+1.0</sup> <sub>0</sub>		2F 4.0±1.0
	3F 9.0 <sup>+1.0</sup> <sub>0</sub>		3F 5.5±1.0
		φ d	0.80±0.05

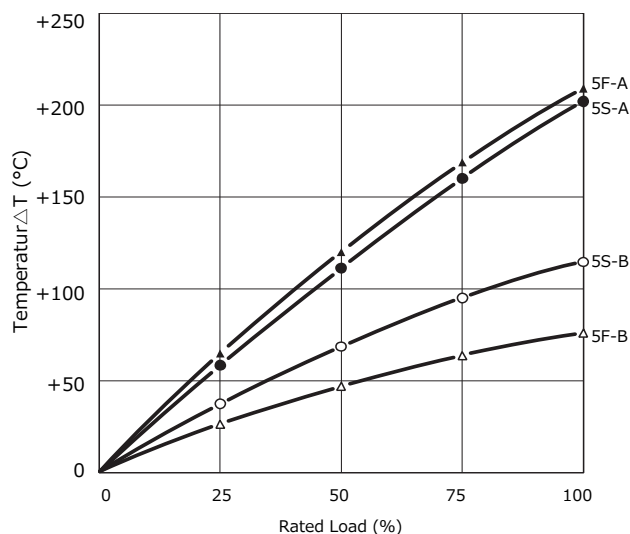
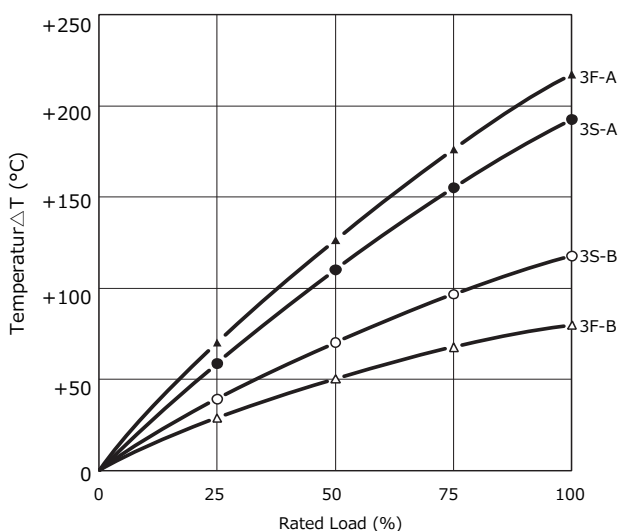
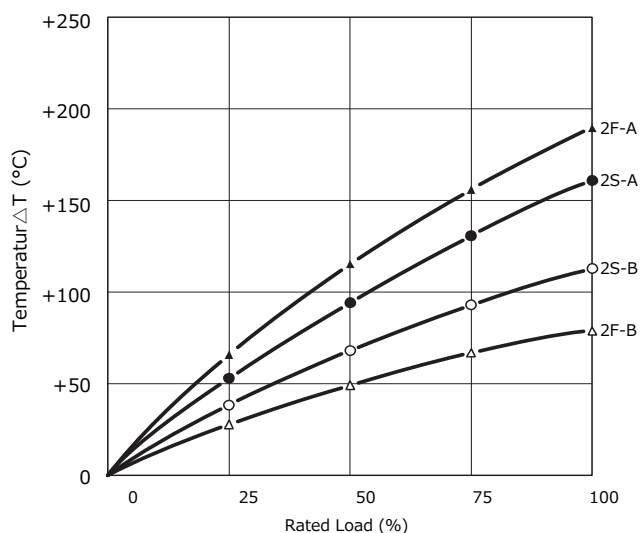
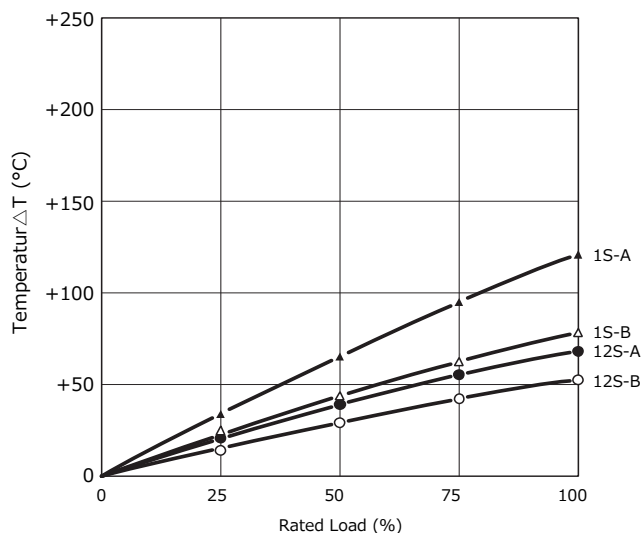
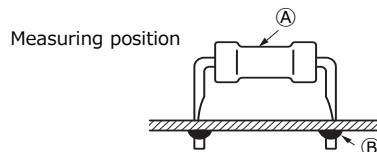
● Radial Tape Package Specifications



Part No.	Standard Quantity (pcs/box)	Dimensions (mm)		
		a	b	c
ERG(X)12S□W□□□E	2,000	46	145	325
ERG(X) 1S□W□□□E	1,000	49	150	317
ERG(X) 1F□S□□□E				
ERG(X) 2S□W□□□E	500	49	150	317
ERG(X) 2F□S□□□E				
ERG(X) 3F□S□□□E	500	49	190	315

## Hot-spot Temperature (for Reference)

The temperature of the resistor body increases with the curve below. A touching vinyl wire may cause damages to resistor element. Do not place vinyl wires around resistors and be sure to consider where the resistors will be placed.



## ⚠ Safety Precautions

The following are precautions for individual products. Please also refer to the common precautions for Fixed Resistors in this catalog.

### 1. Transient voltage

If there is a possibility that the transient phenomenon (significantly high voltage applied in a short time) may occur or that a high voltage pulse may be applied, make sure to evaluate and check the characteristics of Metal(Oxide) Film Resistors (hereafter called the resistors) mounted on your product rather than only depending on the calculated power limit or steady-state conditions to complete the design or decide to use the resistors.

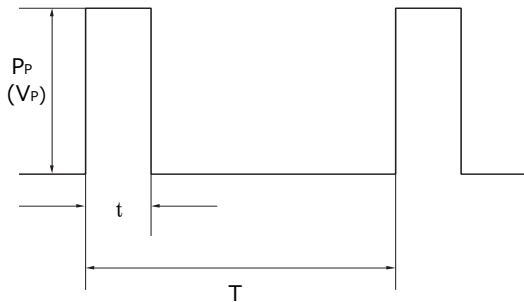
2. The resistors are covered with a special coating. Do not apply shock or vibration to them, or pinch them with long-nose pliers. Otherwise, the resistors may be damaged.

3. Do not apply excessive tension to the lead-connected sections. When bending the lead wire, do not apply excessive stress to the resistors and provide the wire with a natural curvature.

4. Do not brush the resistors during or after the cleaning process, which may be conducted after soldering. Otherwise, the coating film may be damaged.

[Data for Reference]

**Pulse Characteristics (Usual)**



- $P_p$  : Pulse limit power (W)
- $V_p$  : Pulse limit voltage (V)
- $t$  : Pulse continuous time (s)
- $T$  : Period (s)
- $V_R$  : Rated voltage (V)
- $P$  : Rated power (W)
- $R$  : Resistance value ( $\Omega$ )
- $V_{p\ max.}$  : Max. pulse limit voltage (V)

Withstand pulse limit power is calculated by the next method.

$$P_p = K \cdot P \cdot T/t$$

$$V_p = \sqrt{K \cdot P \cdot R \cdot T/t}$$

Reference to the right about a fixed number of  $V_{p\ max.}$

Part No.	K	Vpmax. (V)
ERG(X)12S	0.5	600
ERG(X) 1S	0.5	600
ERG(X) 2S	0.5	700
ERG(X) 3S	0.5	700
ERG(X) 5S	0.5	1000

- $T > 1(s) \rightarrow T = 1(s)$
- $T/t > 100 \rightarrow T/t = 100$
- $P_p < P \rightarrow P$  stands for  $P_p$   
( $V_p < V_R \rightarrow V_R$  stands for  $V_p$ )

- Added voltage  $\leq V_{p\ max.}$
  - $P_p$  or  $V_p$  is referent value
- Conditions: Pulse added time=1000 h  
Resistance change =  $\pm 5\%$   
Room temperature

## Safety Precautions

The following are precautions for individual products. Please also refer to the common precautions for Fixed Resistors in this catalog.

1. Transient voltage  
If there is a possibility that the transient phenomenon (significantly high voltage applied in a short time) may occur or that a high voltage pulse may be applied, make sure to evaluate and check the characteristics of Metal(Oxide) Film Resistors (hereafter called the resistors) mounted on your product rather than only depending on the calculated power limit or steady-state conditions to complete the design or decide to use the resistors.
2. The resistors are covered with a special coating. Do not apply shock or vibration to them, or pinch them with long-nose pliers. Otherwise, the resistors may be damaged.
3. Do not apply excessive tension to the lead-connected sections. When bending the lead wire, do not apply excessive stress to the resistors and provide the wire with a natural curvature.
4. Do not brush the resistors during or after the cleaning process, which may be conducted after soldering. Otherwise, the coating film may be damaged.



## Safety and Legal Matters to Be Observed

### Product specifications and applications

- Please be advised that this product and product specifications are subject to change without notice for improvement purposes. Therefore, please request and confirm the latest delivery specifications that explain the specifications in detail before the final design, or purchase or use of the product, regardless of the application. In addition, do not use this product in any way that deviates from the contents of the company's delivery specifications.
- Unless otherwise specified in this catalog or the product specifications, this product is intended for use in general electronic equipment (AV products, home appliances, commercial equipment, office equipment, information and communication equipment, etc.).  
When this product is used for the following special cases, the specification document suited to each application shall be signed/sealed (with Panasonic Industry and the user) in advance..These include applications requiring special quality and reliability, wherein their failures or malfunctions may directly threaten human life or cause harm to the human body (e.g.: space/aircraft equipment, transportation/traffic equipment, combustion equipment, medical equipment, disaster prevention/crime prevention equipment, safety equipment, etc.).

### Safety design and product evaluation

- Please ensure safety through protection circuits, redundant circuits, etc., in the customer's system design so that a defect in our company's product will not endanger human life or cause other serious damage.
- This catalog shows the quality and performance of individual parts. The durability of parts varies depending on the usage environment and conditions. Therefore, please ensure to evaluate and confirm the state of each part after it has been mounted in your product in the actual operating environment before use.  
If you have any doubts about the safety of this product, then please notify us immediately, and be sure to conduct a technical review including the above protection circuits and redundant circuits at your company.

### Laws / Regulations / Intellectual property

- The transportation of dangerous goods as designated by UN numbers, UN classifications, etc., does not apply to this product. In addition, when exporting products, product specifications, and technical information described in this catalog, please comply with the laws and regulations of the countries to which the products are exported, especially those concerning security export control.
- Each model of this product complies with the RoHS Directive (Restriction of the use of hazardous substances in electrical and electronic equipment) (2011/65/EU and (EU) 2015/863). The date of compliance with the RoHS Directive and REACH Regulation varies depending on the product model.  
Further, if you are using product models in stock and are not sure whether or not they comply with the RoHS Directive or REACH Regulation, please contact us by selecting "Sales Inquiry" from the inquiry form.
- During the manufacturing process of this product and any of its components and materials to be used, Panasonic Industry does not intentionally use ozone-depleting substances stipulated in the Montreal Protocol and specific bromine-based flame retardants such as PBBs (Poly-Brominated Biphenyls) / PBDEs (Poly-Brominated Diphenyl Ethers). In addition, the materials used in this product are all listed as existing chemical substances based on the Act on the Regulation of Manufacture and Evaluation of Chemical Substances.
- With regard to the disposal of this product, please confirm the disposal method in each country and region where it is incorporated into your company's product and used.
- The technical information contained in this catalog is intended to show only typical operation and application circuit examples of this product. This catalog does not guarantee that such information does not infringe upon the intellectual property rights of Panasonic Industry or any third party, nor imply that the license of such rights has been granted.
- Design, materials, or process related to technical owned by Panasonic Industry are subject to change without notice.

**Panasonic Industry will assume no liability whatsoever if the use of our company's products deviates from the contents of this catalog or does not comply with the precautions. Please be advised of these restrictions.**

## Matters to Be Observed When Using This Product

### (Fixed resistor)

#### Use environments and cleaning conditions

- This product (fixed resistor) is not designed for use in specific environments. Using the resistor in the following specific environments or service conditions may affect the performance/reliability of the resistor. Avoid using it in such specific environments. If you intend to use the resistor in such environments, checking the performance, reliability, etc., of the product sufficiently is your own responsibility.
  - (1) Used in liquid, such as water, oil, chemicals, and organic solvents.
  - (2) Used in a place exposed to direct sunlight, an outdoor place with no shielding, or a dusty place.
  - (3) Used in a place where the product is heavily exposed to sea breeze or a corrosive gas, such as Cl<sub>2</sub>, H<sub>2</sub>S, NH<sub>3</sub>, SO<sub>2</sub>, or NO<sub>x</sub>.
  - (4) Used in an environment where static electricity and electromagnetic waves are strong.
  - (5) Located close to a heating component or a flammable material, such as a vinyl cable placed near the product.
  - (6) Sealed or coated with a resin.
  - (7) Solder flux of the resistor soldered with no-clean type solder, etc., is cleansed with a solvent, water, or a water-soluble cleaner, etc. (Water-soluble flux residues have a particularly large influence on a resistor.)
  - (8) Used in a place where dew concentrates on the product.
  - (9) Used in a contaminated state.  
(Example: Touching the resistor mounted on a printed board leaving sebum on the resistor (improper handling))
- Sealing the resistor with a resin in a resin potting process, damp-proofing process, etc., applies excessive stress to the resistor, which may cause the internal electrodes a connection problem. In such cases, the proper operation of the resistor is not guaranteed. If you intend to use the resistor in such environments, checking the performance, reliability, etc., of the product sufficiently is your own responsibility.
- Do not leave the resistor immersed in a solvent for a long time. When using the resistor immersed in a solvent, confirm the operation of the product mounted on the board.
- When a cleaning solution or cleaning condition for cleaning the printed board or a drying condition for drying the printed board after soldering the resistor is improper, it may have a negative effect on the performance/reliability of the resistor. Confirming these conditions sufficiently is your own responsibility. Also examine the effects of soiled cleaning agent, cleaning residues, and post-cleaning contaminations, and control for these effects properly.

#### Response to anomalies and handling conditions

- When the resistor is heating abnormally or emitting a smell, stop using the resistor immediately, for example, turn off the main power supply of the device.  
Also, keep your face and hands away from the product as it may become hot and cause burns.
- The resistor is so thin that it may break easily when subjected to impact. Before putting the resistor in use, confirm that the resistor has not been broken by impact that applied thereto when mounted on the printed board. Applying impact to the resistor or pinching the resistor with a hard tool (pliers, tweezers, etc.) may chip the resistor or its protective film, which affects its performance. Be careful to avoid such cases.
- Do not reuse a resistor having been used on a printed board and removed therefrom. Do not touch the resistor with your bare hands.
- Be careful not to drop the resistor on the floor, etc. The resistor is likely to suffer mechanical or electrical damage when dropped on the floor. Avoid using said resistor.
- The resistor may have its resistance value changed due to electrostatic discharge (ESD). Take ESD prevention measures when handling the resistor. ESD prevention measures include an environment where static electricity is not likely to be generated (recommended RH: 40% to 60%), by wearing an earth band, conductive gloves, etc., grounding the device in which the resistor is incorporated, and placing a conductive mat, etc., on a work platform.
- It is guaranteed that a resistor not exposed to any stress will have its proper resistance value. Any stress or pressure applied to the resistor may cause its resistance value to change. Examine and evaluate the characteristics of the resistor sufficiently before using it.

## Reliability and product life

A product conforming to "AEC-Q200" refers to a product having passed some or all of the evaluation test items defined in AEC-Q200. To know the detailed specifications of individual products or specific evaluation test scores, please contact us. We issue a delivery specification sheet for each product ordered. Please confirm with the sheet when you place an order with us.

## Circuit design and circuit board design

- To prevent a case where a transient load (e.g., a pulse for a short period) too large for the product to handle is applied, make sure to evaluate and confirm the operation of the product incorporated in your product. Applying power or voltage (current) larger than the rated power or rated voltage (current) to the resistor may impair its performance and reliability. Make sure to use the resistor with power or voltage (current) equal to or lower than the rated power or rated voltage (current). The product warranty does not cover usage where an excessively large load, such as a pulse current, is applied to the product.
- The resistor may have a high temperature even when used with power equal to or lower than the rated power. Be careful in such cases. Another factor to be considered are effects on the board, peripheral components, etc., and the effects of peripheral components on the resistor. Make sure to confirm first that the temperature of the resistor incorporated in your product is equal to or lower than the specified temperature, and then use the resistor.
- When the resistors are connected in series or parallel, loads applied respectively to the resistors may not be equal to each other. Check whether the loads are equal in the actual circuit in which the resistors are incorporated.
- When a resistor is used in a high-frequency circuit, the resistor may fail to offer the required characteristics. Check whether the resistor offers the required characteristics in the actual circuit in which the resistors are incorporated.
- Be careful that unusual stress caused by an excessive bend of the printed board is not applied to the resistor. Design the circuit structure such that the resistor is not close to a perforated line for board splitting or on a line with sizable holes bored on the board.
- When a different component is mounted on the board where the resistor has been soldered, be careful that the board does not bend excessively. If necessary, provide the board with backup pins (support pins) to keep it straight.
- Avoid manual board splitting. Use a jig, etc., to break the board so that it does not bend excessively when split apart.

## Mounting conditions

- When the product is used under mounting conditions departing from mounting conditions specified in our specification sheet, the product may be exposed to unexpected stress to fail. Be careful to avoid such a case. When mounting the resistor on a printed board, set the resistor's front and back surfaces in the direction indicated by the tape. Make sure to evaluate and confirm the operation of the resistor incorporated in your product and determine whether the resistor is usable as a component of the product.
- Set soldering conditions for the resistor within the recommended soldering conditions specified by our company. Any time, soldering condition departing from the specified soldering condition, such as a high peak temperature or a long heating may impair the performance/reliability of the resistor. Note that the specified soldering conditions indicate conditions under which degradation of the resistor characteristics does not occur but do not indicate conditions under which stable soldering can be performed. Check and set individual conditions under which stable soldering can be performed.
- Heat the resistor in advance so that a difference between the soldering temperature and the temperature of the resistor surface is reduced to 100 °C or lower. When dipping the soldered resistor in a solvent, etc., to cool the resistor rapidly, ensure that the temperature difference between the resistor and the solvent is 100 °C or lower during the dipping.
- When soldering the resistor using a soldering iron, apply hot air, etc., to the resistor to heat it sufficiently in advance and then solder the resistor without bringing the soldering iron tip into contact with the product. If the temperature of the soldering iron tip is high, finish the soldering work quickly (within 3 seconds when the temperature of the soldering iron tip is 350 °C or lower). In the case of a fixed resistor with low resistance, the resistor may fail to offer the exactly intended resistance value because of the variation in the solder volume, etc. Make sure to confirm the resistance value of the resistor in the actual circuit configuration.

- Soldering the resistor with too much solder or too little solder results in the poor reliability of the solder connection of the resistor. Use the proper volume of solder in the soldering process. Sufficiently check for the volume of solder used.
- Soldering with high bond strength or special property solder may affect the quality of the resistor. Do not use such solder.
- Use rosin-based solder flux. When using highly active solder flux made mainly of halogen (chlorine, bromine, etc.), flux residues may affect the performance and reliability of the resistor. Check the effects of flux residues before using the solder flux. Do not use highly acidic flux, water-soluble flux, or flux containing fluoride ions. When solder flux sticks to the resistor after the soldering process, the activation energy of the flux may corrode the resistor and cause it to fail. Prevent solder flux from sticking to the resistor.

## Storage conditions

Keeping the product in the following environments or conditions may lead to degradation of its performance, solderability, etc. Do not keep the product in the following environments.

- (1) Stored in a place where the product is heavily exposed to sea breeze or a corrosive gas, such as Cl<sub>2</sub>, H<sub>2</sub>S, NH<sub>3</sub>, SO<sub>2</sub>, or NO<sub>x</sub>.
- (2) Stored in a place where the product is exposed to direct sunlight.
- (3) Stored in a place where a temperature condition of 5 °C to 35 °C and a relative humidity condition of 45% to 85% cannot be maintained.
- (4) Kept in storage for more than one year from the delivery date (when the product is kept in conditions excluding any of the environments (1) to (3)).

## Reference information

### Guidelines

Before using the resistor, refer to the technical report issued by JEITA, EIAJ RCR-2121B "Safety Application Guide for Fixed Resistor for Use in Electronic Equipment" revised in February 2015.