

# Air to Air Thermoelectric Assembly



## ATS PART# ATS-WFF-60W-24-C

ATS' air to air thermoelectric assemblies are heat exchangers that remove heat from an enclosure and are designed for temperature regulation of small electronic cabinets or enclosures. They are often used when it is better to circulate cooled air rather than use direct contact with a cold plate.



### FEATURES & BENEFITS

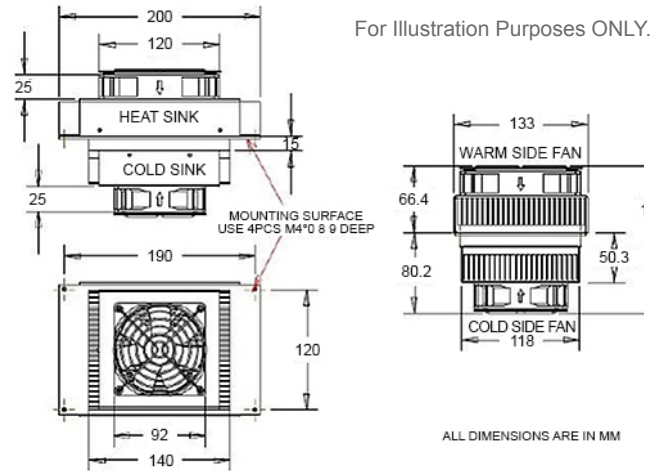
- » Compact and lightweight
- » Can be mounted in any orientation
- » No compressor
- » Virtually maintenance free
- » Simple quick installation
- » Air to air heat exchanger
- » Quiet operation
- » Uses thermoelectrics

### SPECIFICATION

Max Cooling power    38W @  $\Delta T = 0^\circ\text{C}$   
 TEC Voltage            24 VDC  
 TEC Current            Start 4.5A / Working 3.4 A  
 Fan Voltage            24 VDC

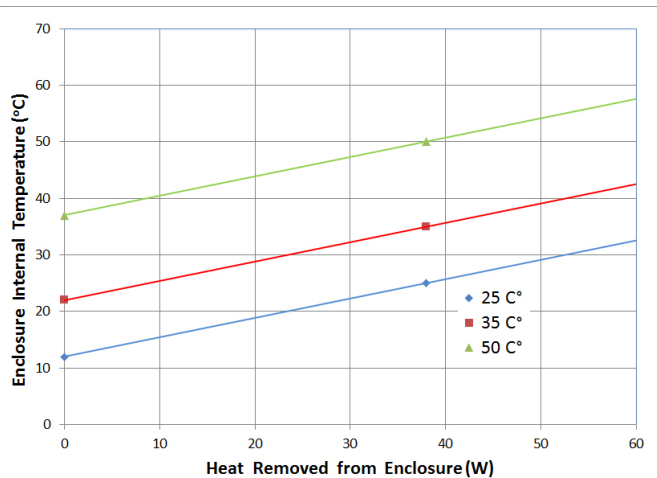
### APPLICATIONS

- » Enclosure or cabinet cooling
- » Electronics cooling
- » Medical, surgical and biological process cooling
- » Thermal management
- » Medical equipment
- » Refrigerators and water coolers
- » Industrial storage and food transportation



### Product Detail

Max Cooling Power	TEC Voltage	TEC Current	Hot Side Fan	Cold Side Fan	Operational Temperature	Dimensions (mm)	Mounting Holes (mm)	Weight
38W	24V	3.4A	120x120x25 mm 24V, 0.17A	92x92x25 mm 24V, 0.13A	-10° – 70°	200x133x146.6	190x120	2.6 Kgs



### NOTES:

- Please use the 24 VDC power with the ripple less than 10%
- Please do not drop, otherwise component can crack and damage the TECs.
- Please keep 10cm distance from walls for proper ventilation when mounting.
- Please do not use it when the temperature of the assembly or environment is higher than 70°C.
- Graph shows an example of when cabinet temperature is 50°C and the environment temp is 50°C, the cooler can transfer 38W from the cabinet to the ambient.
- $\Delta T = T_{\text{enclosure}} - T_{\text{ambient}}$



**ATS** ADVANCED THERMAL SOLUTIONS, INC.  
 Innovations in Thermal Management®