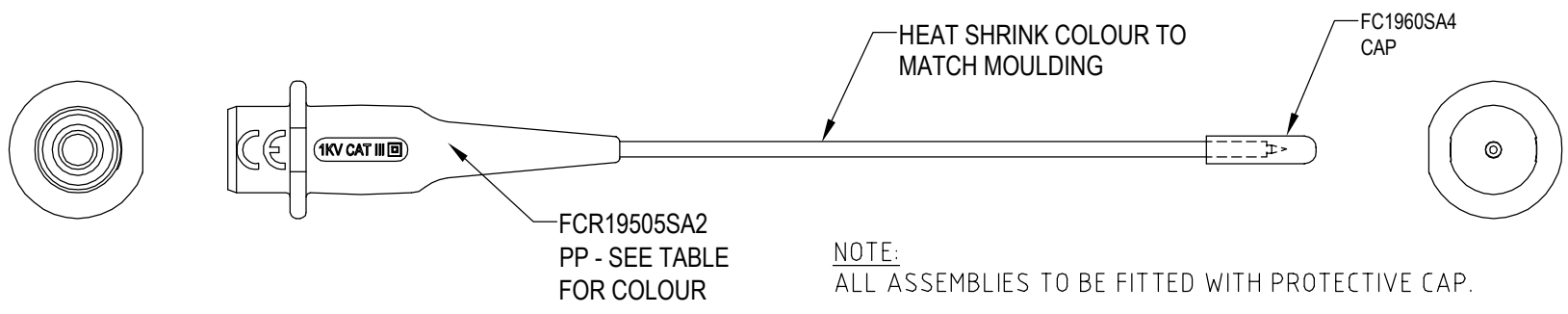
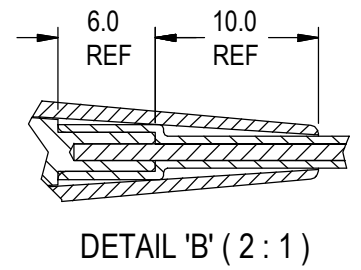
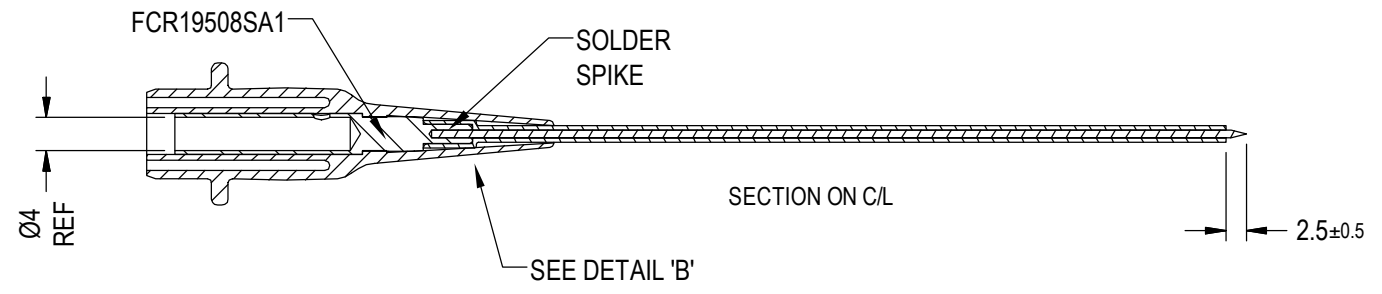
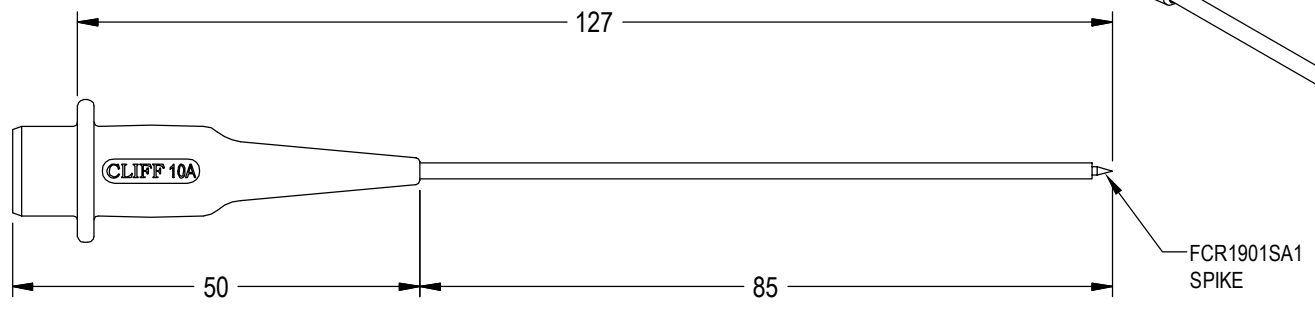
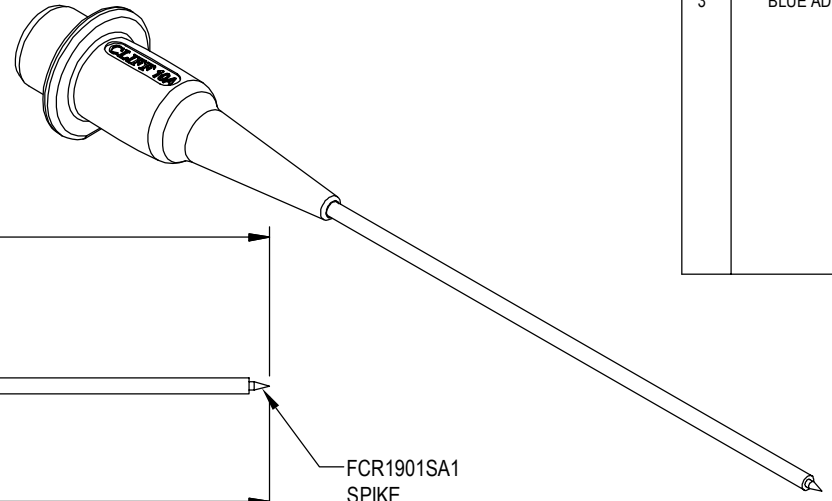


ISS.	AMEND	DATE
1	ISSUED	29/11/13
2	MOULDING P/N ADD	06/12/13
3	BLUE ADDED	13/03/17

PART No.	MOULDING	COLOUR
FCR19509B	FCR19505SA2BP	BLACK
FCR19509L	FCR19505SA2LP	BLUE
FCR19509R	FCR19505SA2RP	RED



NOTE:  
ALL ASSEMBLIES TO BE FITTED WITH PROTECTIVE CAP.

**RoHS**  
COMPLIANT

TOLERANCE  
 NO DEC. PLACE ± 1.00  
 1 DEC. PLACE ± 0.20  
 2 DEC. PLACE ± 0.10  
 HOLE Ø ± 0.10  
 ANGLES ± 1/2°  
 UNLESS OTHERWISE STATED

**Cliff Electronic Components Ltd.**  
 76 Holmehorpe Avenue, Holmehorpe Industrial Estate,  
 Redhill, Surrey, RH1 2PF, England, UK  
 Tel: 01737-771375 Fax: 01737-766012 Website: www.cliffuk.co.uk

THE CONTENTS OF THIS DOCUMENT MUST NOT BE COPIED OR DISCLOSED TO A 3rd PARTY WITHOUT WRITTEN PERMISSION OF CLIFF UK. © 2013

DIMENSIONS IN MILLIMETERS UNLESS OTHERWISE STATED. WORK TO DIMENSIONS. REMOVE ALL BURRS. IF IN DOUBT ASK.

3rd ANGLE PROJECTION:

DO NOT SCALE

MATERIAL: BRASS + PP

TITLE: TPR 9 SPIKE ASSEMBLY

FINISH: NICKEL PLATED - AS MOULDED

DRWG. No. **FCR19509**

DRAWN: T.J.O.

APPROVED: D.P.J.

FORM: A4DRWGH