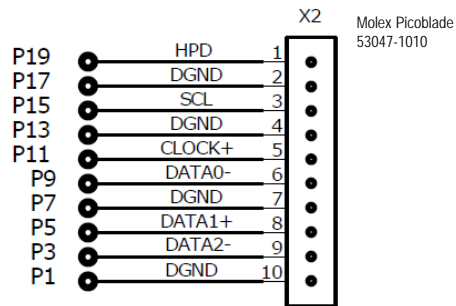
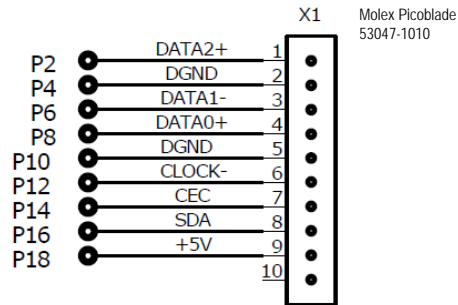


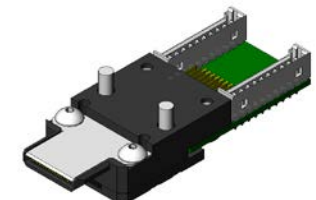
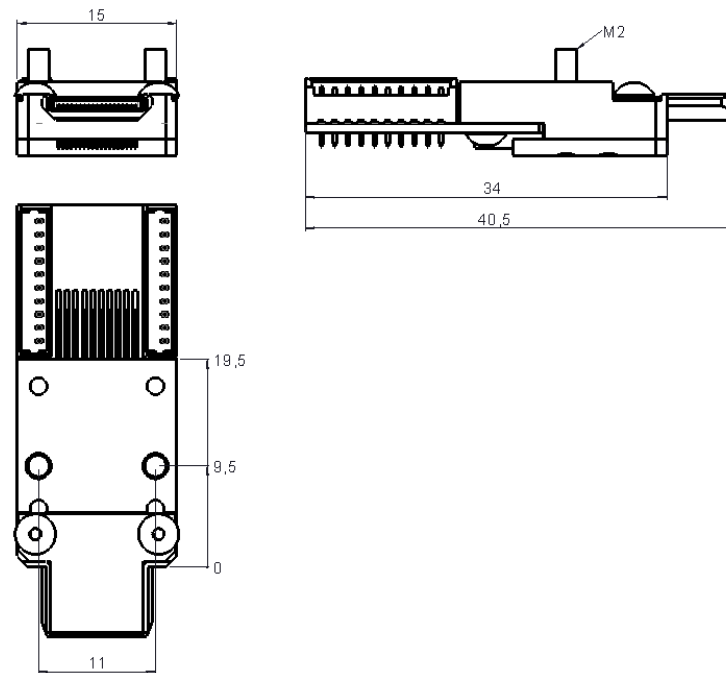
Mini-HDMI Test Connector - breakout

MA015236

ELECTRICAL



MECHANICAL



MA015236 Mini-HDMI Test Connector is a 19-pin test connector with breakout pin header connectors.

MA015236 Test Plug is designed for testing of Mini-HDMI interface.