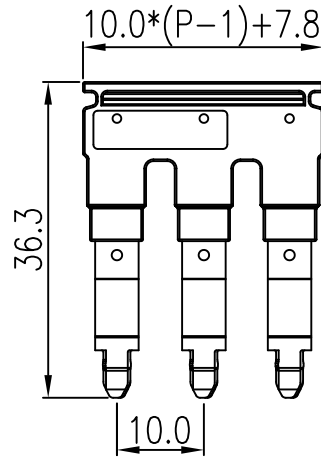


DSD01-10XXN



DIN Rail Terminal Blocks > Accessories > Plug-in bridge



Specification

Product description	Plug-in bridge
Color	Red
Housing material	PA
PIN material	COPPER ALLOY
Surface plating	Tin PLATED
Inflammability class	UL94-V0
Position	02~05P
Compatible products	DP10, DP10-PE, DP10-TN-PE, AK10, AK10-TN, DKD35-P003
Package	50 pcs / box