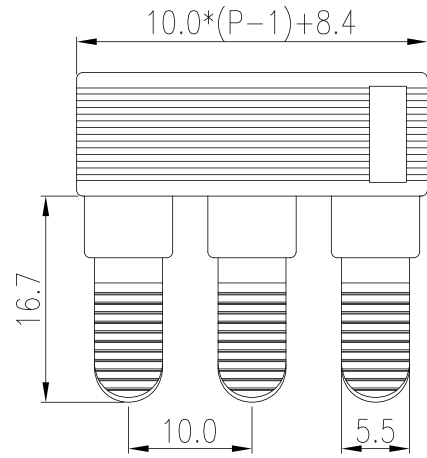


CSC-10XPN



DIN Rail Terminal Blocks > Accessories > Insertion Bridge



Specification

Product description	Insertion Bridge
Color	Beige
Housing material	PA
Inflammability class	UL94-V0
Terminal material	Copper Alloy
Surface Plating	Tin plated
Position	02~10P
Compatible products	DK10N, DK10N-TN
Package	50 pcs / box