

1825910-6 ✓ ACTIVE

Alcoswitch | Alcoswitch FSM

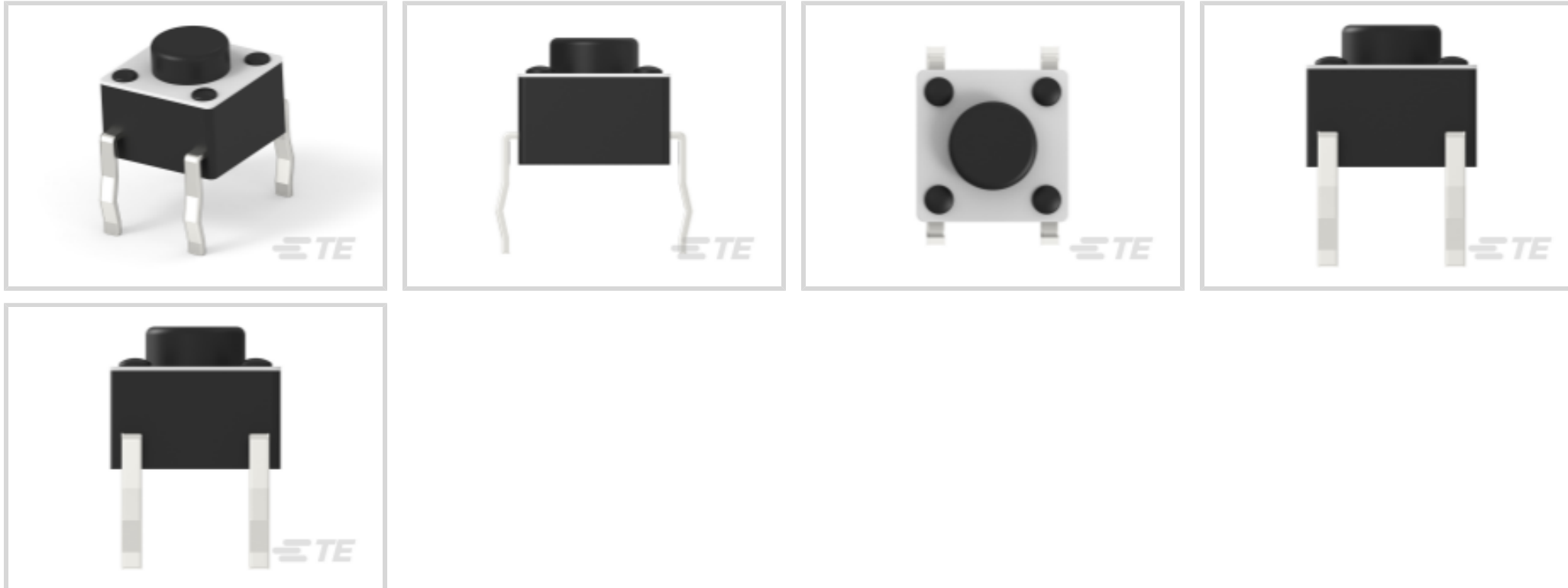
TE Internal #: 1825910-6

Tactile Switches, Round Actuator Style, NO, Copper Alloy, Silver,
Low Profile, 50mA Contact Current Rating, Operating Voltage 24
VDC, Alcoswitch FSM

[View on TE.com >](#)



Switches > Tactile Switches



Actuator Style: **Round**

Operating Function: **NO**

Contact Base Material: **Copper Alloy**

Switch Contact Plating Material: **Silver**

Low Profile: **With**

Features

Product Type Features

Switch Connection Type	Printed Circuit Board
Leg Style	Kinked
Illuminated	With
Actuator Style	Round

Configuration Features

ESD Grounding Terminal	Without
Ganged	With
Switch Feedback Type	Tactile
Operating Function	NO
Support Bracket	Without
Configuration (Pole-Throw)	Single Pole - Single Throw
Number of Actuators	Single

Electrical Characteristics

Operating Voltage	24 VDC
-------------------	--------



Body Features

Cover Material	PET Film
Actuator Force	160 g[5.64 oz]
Case Material	Nylon
Actuator Profile	Extended
Actuator Material	PBT
Case Color	Black
Product Orientation	Vertical
Actuator Color	Black

Contact Features

Contact Base Material	Copper Alloy
Switch Contact Plating Material	Silver
Contact Current Rating	50 mA

Termination Features

Termination Method to Printed Circuit Board	Through Hole - Solder
---	-----------------------

Housing Features

Low Profile	With
Process Sealed	No

Dimensions

Actuator Length	1.4 mm[.055 in]
Button Width	3.5 mm[.138 in]
	.196 in

Usage Conditions

Operating Temperature Range	-40 - 105 °C
-----------------------------	--------------

Packaging Features

Packaging Method	Loose Piece
------------------	-------------

Product Compliance

[For compliance documentation, visit the product page on TE.com>](#)

EU RoHS Directive 2011/65/EU	Compliant
EU ELV Directive 2000/53/EC	Compliant
China RoHS 2 Directive MIIT Order No 32, 2016	No Restricted Materials Above Threshold



EU REACH Regulation (EC) No. 1907/2006

Current ECHA Candidate List: JAN 2024
 (240)

Candidate List Declared Against: JAN 2024
 (240)

Does not contain REACH SVHC

Halogen Content

Low Halogen - Br, Cl, F, I < 900 ppm per
 homogenous material. Also BFR/CFR/PVC
 Free

Solder Process Capability

Wave solder capable to 265°C

Product Compliance Disclaimer

This information is provided based on reasonable inquiry of our suppliers and represents our current actual knowledge based on the information they provided. This information is subject to change. The part numbers that TE has identified as EU RoHS compliant have a maximum concentration of 0.1% by weight in homogenous materials for lead, hexavalent chromium, mercury, PBB, PBDE, DBP, BBP, DEHP, DIBP, and 0.01% for cadmium, or qualify for an exemption to these limits as defined in the Annexes of Directive 2011/65/EU (RoHS2). Finished electrical and electronic equipment products will be CE marked as required by Directive 2011/65/EU. Components may not be CE marked. Additionally, the part numbers that TE has identified as EU ELV compliant have a maximum concentration of 0.1% by weight in homogenous materials for lead, hexavalent chromium, and mercury, and 0.01% for cadmium, or qualify for an exemption to these limits as defined in the Annexes of Directive 2000/53/EC (ELV). Regarding the REACH Regulation, the information TE provides on SVHC in articles for this part number is based on the latest European Chemicals Agency (ECHA) 'Guidance on requirements for substances in articles' posted at this URL: <https://echa.europa.eu/guidance-documents/guidance-on-reach>

Compatible Parts



TE Part # 2-1437565-7
 FSM2JSMA=SMT,TACTILE,PB SWITCH



TE Part # 1825967-2
 FSMCDAH=6.0mm Tact W/SQ Act. & High Temp



TE Part # 1-1437565-8
 FSM1LPATR=TACT SWITCH 6X6MIL S



TE Part # 2-1437565-8
 FSM2JSMAA=TACTILE 260G FORCE S



TE Part # 1-1437565-9
 FSM1LPTR=NEW P/N



TE Part # 3-1825910-1
 FSM16JH=6MM TACT SWITCH, HIGH TEMP



TE Part # 1-1825955-4
 FSM7JH=6MM TACT SWITCH, HT W /ESD



TE Part # 1-1825027-7
 FSMRA6JH04=R/A,TACT PB SW,160G



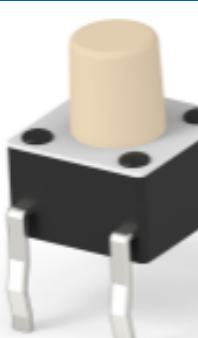

TE Part # 1437566-4
FSMSMTR=TACT SWITCH



TE Part # 1-1825910-4
FSM8JH=6MM TACT SWITCH, HIGH TEMP



TE Part # 1-1825910-0
FSM6JH=6MM TACT SWITCH, HIGH TEMP



TE Part # 1-1825910-8
FSM10JH=6MM TACT SWITCH, HIGH TEMP



TE Part # 1977223-6
FSM2JSMAASTR=6MM TACT SWITCH,



TE Part # 2-1825027-0
FSMRA7JH04=R/A,TACT PB SW,160G



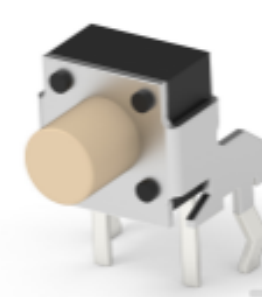
TE Part # 2-1825910-7
FSM14JH=6MM TACT SWITCH, HIGH TEMP



TE Part # 1825027-8
FSMRA3JH04=R/A,TACT PB SW,160G



TE Part # 1825027-5
FSMRA2JH04=R/A,TACT PB SW,160G



TE Part # 1-1825027-4
FSMRA5JH04=R/A,TACT PB SW,160G




TE Part # 1571300-2
TACT,RTANG,SMT,SEALED,GUID PIN



TE Part # 5-1437565-0
FSM6JSMATR=TACT SWITCH 6X6MIL

Also in the Series | **Alcoswitch FSM**

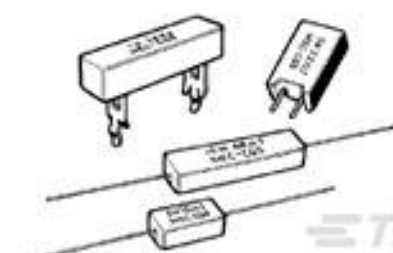


Tactile Switches(49)

Customers Also Bought



TE Part # 3-644456-9
09P MTA100 HDR ASSY (NARROW)



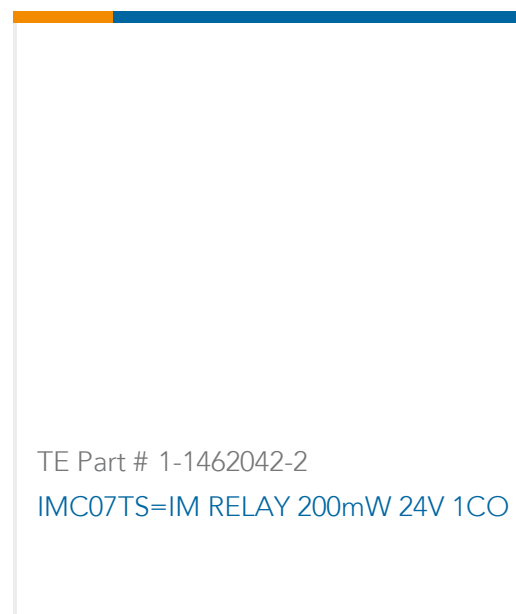
TE Part # 1-1623793-0
SOP5 3K3 5% MTL FLM



TE Part # 2176347-5
CRGCO 2010 22R 1%



TE Part # NB18092001
RNF-100-1-1/4-BK-STK



Documents

Product Drawings

[FSM4JH=6MM TACT SWITCH, HIGH TEMP](#)

English

CAD Files

Customer View Model

[ENG_CVM_CVM_1825910-6_C.2d_dxf.zip](#)

English

[3D PDF](#)

3D

Customer View Model

[ENG_CVM_CVM_1825910-6_C.3d_igs.zip](#)

English

Customer View Model

[ENG_CVM_CVM_1825910-6_C.3d_stp.zip](#)

English

By downloading the CAD file I accept and agree to the [Terms and Conditions](#) of use.

Datasheets & Catalog Pages

[SWITCHES_CORE_PROGRAM_CATALOG](#)

English