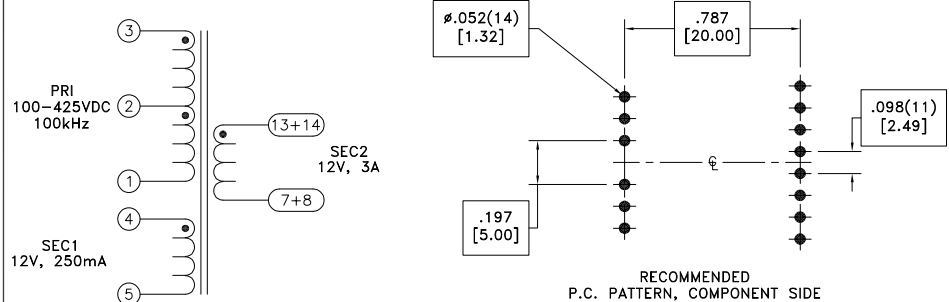
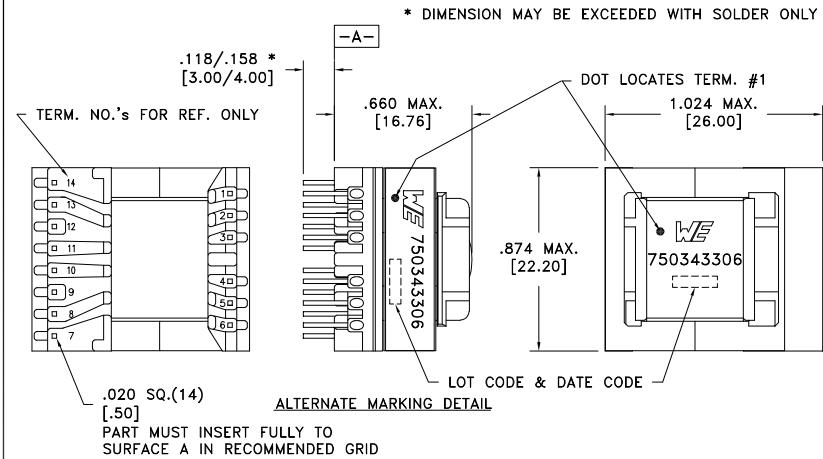


CUSTOMER TERMINAL	RoHS	LEAD(Pb)-FREE
Sn96%, Ag4%	Yes	Yes



ELECTRICAL SPECIFICATIONS @ 25°C unless otherwise noted:

PARAMETER	TEST CONDITIONS	VALUE
D.C. RESISTANCE	3-1 @20°C	0.336 ohms max.
D.C. RESISTANCE	4-5 @20°C	0.188 ohms max.
D.C. RESISTANCE	14-8 tie(7+8, 13+14), @20°C	0.012 ohms max.
INDUCTANCE	3-1 10kHz, 100mVAC, Ls	360.0uH ±10%
SATURATION CURRENT	3-1 20% rolloff from initial	1.55A
LEAKAGE INDUCTANCE	3-1 tie(4 thru 14), 100kHz, 100mVAC, Ls	5uH typ., 8uH max.
DIELECTRIC	1-14 tie(3+4, 7+8), 3750VAC, 1 second	-
DIELECTRIC	14-Core tie(7+8), 3750VAC, 1 second	-
⑥⑧ TURNS RATIO	(3-1):(4-5)	9.5:1
⑥⑧ TURNS RATIO	(3-1):(14-7), tie(7+8, 13+14)	9.5:1

GENERAL SPECIFICATIONS:

OPERATING TEMPERATURE RANGE: -40°C to +125°C including temp rise.

- ⑥⑨ Designed to comply with the following requirements as defined by IEC62368-1, EN62368-1, UL62368-1/CSA62368-1 and AS/NZS62368.1:
 - Reinforced insulation for a primary circuit at a working voltage of 300Vrms, 425Vpeak, Overvoltage Category II.

Wire insulation & RoHS status not affected by wire color.
Wire insulation color may vary depending on availability.

REV.	DATE	Packaging Specifications Method: Tray PKG-0736 www.we-online.com/midcom		Tolerances unless otherwise specified: Angles: ±1° Fractions: ±1/64 Decimals: ±.005 [.13] Footprint: ±.001 [.03]	DRAWING TITLE TRANSFORMER	PART NO. 750343306
6B	9/22	SEE REVISION SHEET FOR	REVISION LEVEL	This drawing is dual dimensioned. Dimensions in brackets are in millimeters.	eiSos p/n: 750343306	
6A	9/17					SPECIFICATION SHEET 1 OF 1