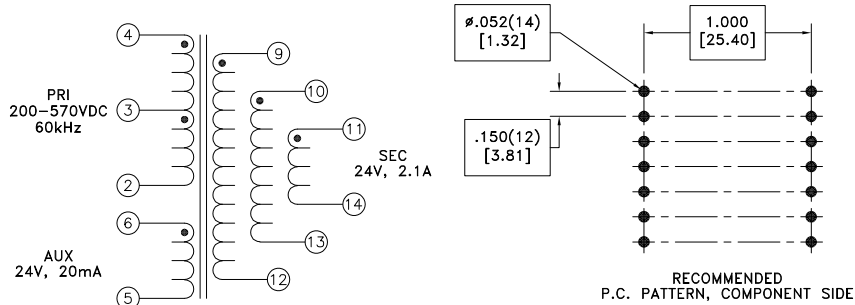
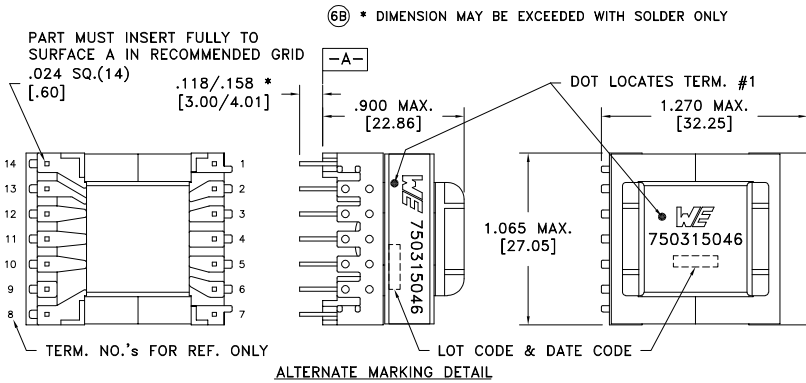


CUSTOMER TERMINAL	RoHS	LEAD(Pb)-FREE
Sn96%, Ag4%	Yes	Yes



Application of the transformer requires the terminals 9&10&11 and 12&13&14 be internally connected on the PCB.

ELECTRICAL SPECIFICATIONS @ 25°C unless otherwise noted:

PARAMETER	TEST CONDITIONS	VALUE
D.C. RESISTANCE	4-3 @20°C	0.360 ohms ±10%
D.C. RESISTANCE	3-2 @20°C	0.520 ohms ±10%
D.C. RESISTANCE	4-2 @20°C	0.880 ohms ±10%
D.C. RESISTANCE	6-5 @20°C	0.075 ohms ±15%
D.C. RESISTANCE	9-12 tie(9+10+11, 12+13+14), @20°C	0.020 ohms ±20%
INDUCTANCE	4-2 10kHz, 100mVAC, Ls	1.00mH ±10%
SATURATION CURRENT	20% rolloff from initial	2.0A
LEAKAGE INDUCTANCE	4-2 tie(5+6, 9 thru 14), 100kHz, 100mVAC, Ls	20uH typ., 30uH max.
DIELECTRIC	2-12 tie(4+5, 9+10+11), 3750VAC, 1 second	3000VAC, 1 minute
DIELECTRIC	2-6 625VAC, 1 second	-
TURNS RATIO	(4-3):(3-2)	1:1, ±1%
TURNS RATIO	(4-2):(6-5)	8.67:1, ±1%
TURNS RATIO	(4-2):(9-12), tie(9+10+11, 12+13+14)	8.67:1, ±1%

GENERAL SPECIFICATIONS:

OPERATING TEMPERATURE RANGE: -40°C to +125°C including temp rise.

Designed to comply with the following requirements as defined by IEC60950-1, EN60950-1, UL60950-1/CSA60950-1 and AS/NZS60950.1:
 - Reinforced insulation for a primary circuit at a working voltage of 265Vrms, 570Vpeak, Overvoltage Category II.

Wire insulation & RoHS status not affected by wire color.
 Wire insulation color may vary depending on availability.

REV.	DATE	Packaging Specifications Method: Tray PKG-0737 www.we-online.com/midcom		Tolerances unless otherwise specified: Angles: ±1° Decimals: ±.005 [.13] Fractions: ±1/64 Footprint: ±.001 [.03]	DRAWING TITLE TRANSFORMER	PART NO. 750315046
6B	1/23	SEE REVISION SHEET FOR REVISION LEVEL		This drawing is dual dimensioned. Dimensions in brackets are in millimeters.	eiSos p/n: 750315046	compliant RoHS
6A	4/15					SPECIFICATION SHEET 1 OF 1