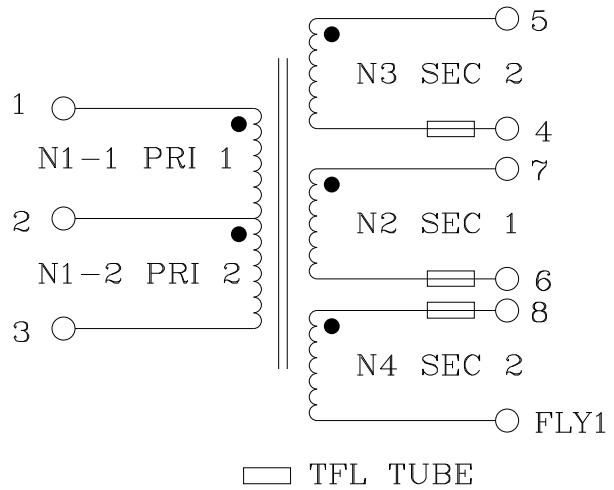
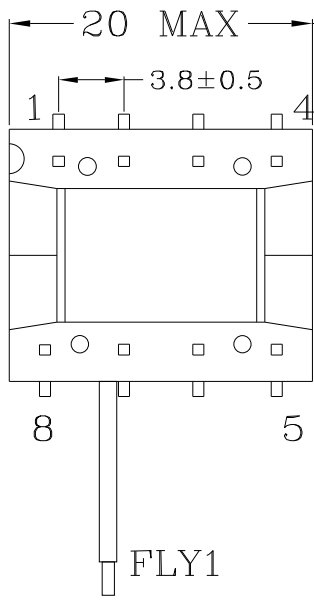
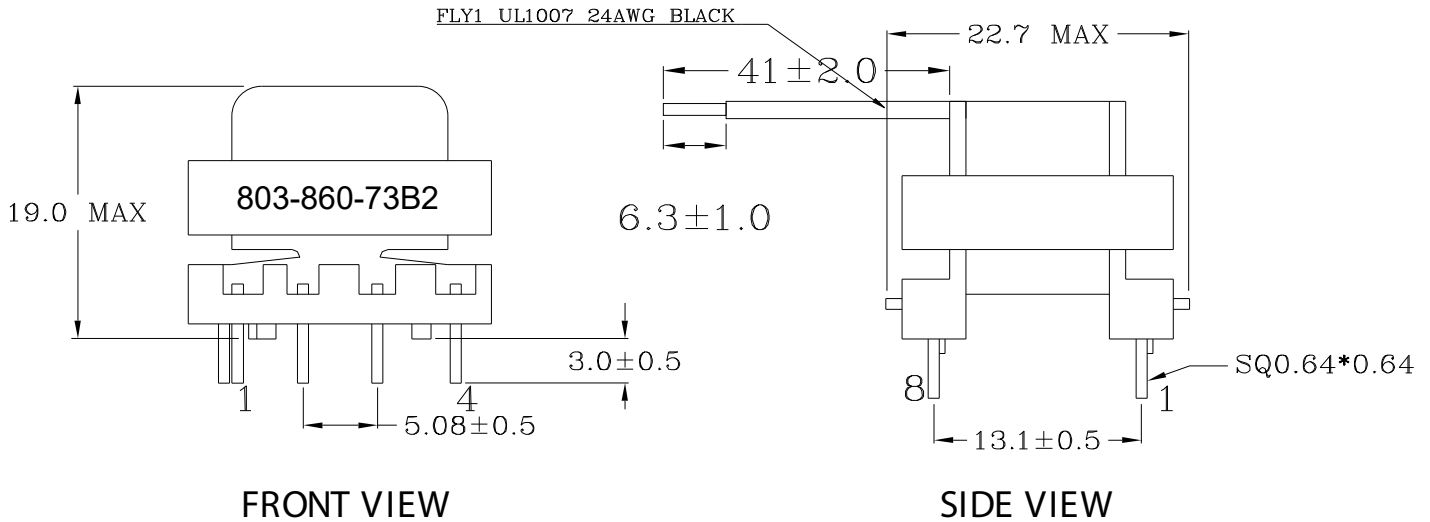


DIMENSIONS: (mm)



NOTE: N1-1 & N1-2 WOUND BIFILAR

BOTTOM VIEW

Rev.	Date	Description	By
--	5/24/19	Updated customer part number on marking. Add material list.	DT

Part Number: CS4612-RC
 Description: EE19 Transformer
 3.5mH Min, 1KHz, 0.1V
 HCS/TMZ (DIN)
 RoHS Compliant



19671 Descartes
 Foothill Ranch, CA 92610
 Ph: (949) 356-1780

www.alliedcomponents.com

Date: February 14, 2019

Page: 1 of 4



TEST CONDITION : TEMPERATURE AT 25
 Operating temperature: -20°C to +125°C

NO.	PARAMETER	TERMINAL	SPECIFICATION	TEST INSTRUMENTS
1	INDUCTANCE AT 1KHz, 1.0 V	L(1- 3)	3.5mH MIN	DU7200 AND ZT1320
2	DC RESISTANCE	R(1- 3)	0.75 Ω± 10%	DU7200
3	HI-POT	PRI TO SEC	1500VAC 50/60Hz/60SEC/3mA	YH-650 INSULATION TESTER
		SEC TO SEC	1500VAC 50/60Hz /60SEC/3mA	
4	TURNS RATIO AT 1KHz 1.0V	(1- 3) : (5- 4) : (7- 6) : (8- FL1)	72 : 135: 36: 36.5 ± 2%	DU7200

Rev.	Date	Description	By
--	5/24/19	Updated customer part number on marking. Add material list.	DT

Part Number: CS4612-RC
 Description: EE19 Transformer
 3.5mH Min, 1KHz, 0.1V
 HCS/TMZ (DIN)
 RoHS Compliant



19671 Descartes
 Foothill Ranch, CA 92610
 Ph: (949) 356-1780
www.alliedcomponents.com

Date: February 14, 2019



TEST
CONDITION : TEMPERATURE: 24°C

PARAMETER	TERMINAL	SPECIFICATION	1	2	3	4	5	6	7	8	9
INDUCTANCE AT 1KHz, 1.0V	L(1- 3)	3.5mH MIN	8.8	9.1	8.5	9.3	8.8	9.7	9.9	9.3	9.4
DC RESISTANCE	R(1- 3)	0.75 Ω± 10%	0.732	0.731	0.729	0.731	0.730	0.729	0.731	0.729	0.728
HI-POT	PRI TO SEC	1500VAC 50/60Hz/60SEC/3mA	OK	OK	OK	OK	OK	OK	OK	OK	OK
	SEC TO SEC	1500VAC 50/60Hz /60SEC/3mA	OK	OK	OK	OK	OK	OK	OK	OK	OK
TURNS RATIO AT 1KHz 1.0V	(1- 3) : (5- 4) : (7- 6) : (8- FL1)	72 : 135: 36: 36.5 ± 2%	OK	OK	OK	OK	OK	OK	OK	OK	OK

DIMENSIONS (Unit:mm)

SPEC	A	B	C	D	E	F	G	H	
NO	22.7 MAX	20.0 MAX	19.0 MAX	3.0 ±0.5	3.8 ±0.5	5.1 ±0.5	0.64*0.64	13.1 ±0.5	
01	21.92	19.5	18.2	3.1	3.80	4.98	0.65*0.65	13.18	
02	21.89	19.4	18.1	3.1	3.81	5.01	0.66*0.65	13.16	
03	21.88	19.5	18.2	3.0	3.79	4.95	0.66*0.66	13.22	
04	21.95	19.5	18.0	3.1	3.78	4.89	0.66*0.66	13.25	
05	21.93	19.4	18.0	3.0	3.75	4.88	0.65*0.65	13.09	

Rev.	Date	Description	By
--	5/24/19	Updated customer part number on marking. Add material list.	DT

Part Number: CS4612-RC
Description: EE19 Transformer
3.5mH Min, 1KHz, 0.1V
HCS/TMZ (DIN)
RoHS Compliant



19671 Descartes
Foothill Ranch, CA 92610
Ph: (949) 356-1780
www.alliedcomponents.com

Date: February 14, 2019
Page: 3 of 4



MATERIAL LIST

NO	ITEM	MANUFACTURER	MATERIAL	UL FILE NO.	SGS
01	BOBBIN	CHANG CHUN PLASTICS CO LTD OR EQUIVALENT	PHENOLIC/PBT/PET	E59481(S)	YES
02	WIRE	FENG CHING METAL CORP OR EQUIVALENT	FSW	E172395	YES
03	CORE	ACME OR EQUIVALENT	EE19 P4	/	YES
04	TAPE	JINGJIANG YAHUA PRESSURE SENSITIVE GLUE CO LTD OR EQUIVALENT	PF301	E165111	YES
05	TUBE	GREAT HOLDING INDUSTRIAL CO., LTD OR EQUIVALENT	TFL	E156256	YES
06	VARNISH	QUALIPOLY CHEMICAL CORP OR EQUIVALENT	1032BIH	E213437	YES

Rev.	Date	Description	By
--	5/24/19	Updated customer part number on marking. Add material list.	DT

Part Number: CS4612-RC
 Description: EE19 Transformer
 3.5mH Min, 1KHz, 0.1V
 HCS/TMZ (DIN)
 RoHS Compliant



19671 Descartes
 Foothill Ranch, CA 92610
 Ph: (949) 356-1780
www.alliedcomponents.com

Date: February 14, 2019
 Page: 4 of 4

