

KIT contain below Parts

| Sr.No | Description | Part number | Page No | Qty | UOM |
|-------|---|---------------------------|---------|------|-----|
| 1 | Rugged Ethernet switch with ENHANCED features | RES-SCE-8EMG | 2 | 1.00 | EA |
| 2 | Cable assembly for power supply | RES-SCE-8MG-CBL-PWR-2M-B4 | 3-4 | 1.00 | EA |
| 3 | Cable assembly for Management port | RESSCE8MG-CBL-MNG-1M | 5-6 | 1.00 | EA |
| 4 | Cable assemblies for LAN ports | RESSCE8MG-CBL-ETH-RJ45-2M | 7-8 | 4.00 | EA |

IN THE CONSTANT PURPOSE OF IMPROVING ITS PRODUCTS, Amphenol Socapex RESERVES THE RIGHT TO MODIFY ANY DIMENSION OR CHARACTERISTICS.
FM.NPD.0076.THYEZ.PUNE rev B

LAST CHANGE :
Changed C1 cable reference part number in page 8.

APPROVAL FOR MANUFACTURING
Add missing specifications on the drawing if necessary (specific labellings, tolerances,...)

CUSTOMER : ASF
PROGRAM : -
Name : Date :
CUSTOMER SIGNATURE

KIT RES-SCE-8MG

DRAWN BY : Prasad M UPDATED BY: Deepak J LAST APPROVED BY: Nikhil W

ALL DIMENSIONS ARE IN MM

SCALE : /

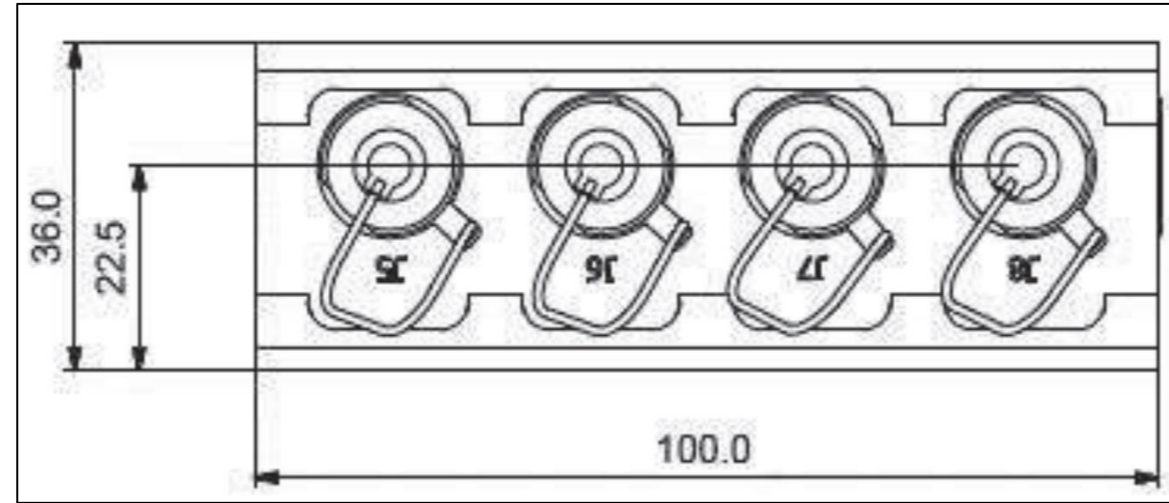
AMPHENOL SOCAPEX
B.P. 29 74311 THYEZ CEDEX

ORIGINAL DRAWING DATE : 12-11-2021 CONFIGURATION DATA ARE AVAILABLE IN PDM

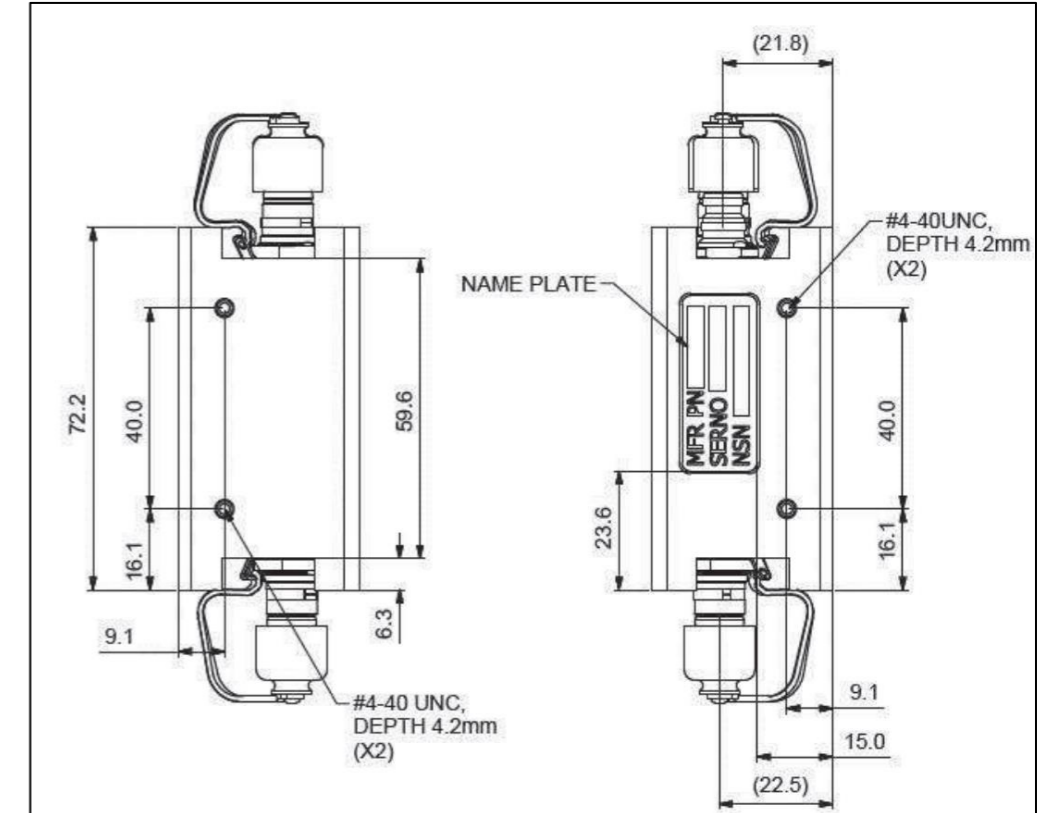
REV : C PAGE : 1/8

191-PLC-973-00

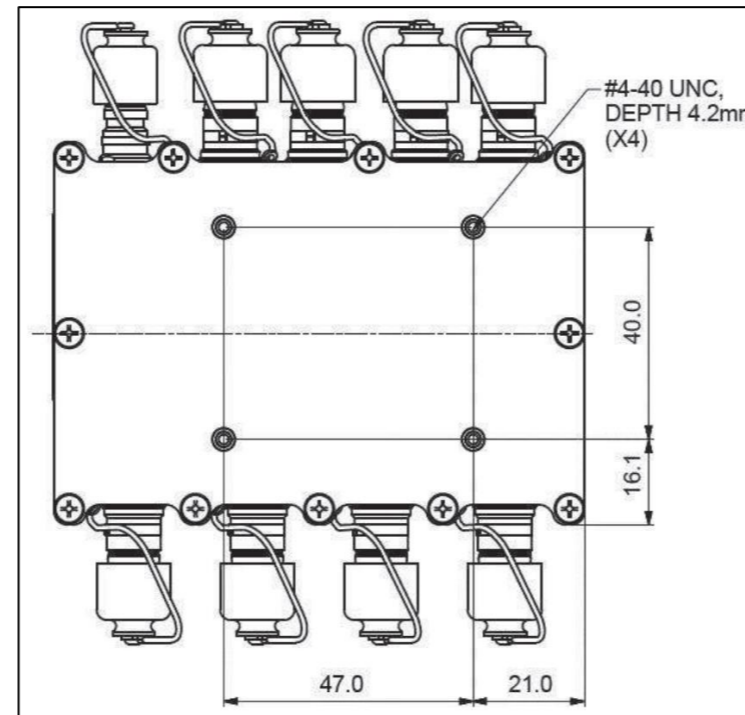
| Ethernet Switch Description | |
|-----------------------------|---|
| Part number | RES-SCE-8EMG |
| Description | Managed miniature portable Ethernet switch - 8 Gigabit ports - with ENHANCED features |
| Standards | MIL-STD-1275, MIL-STD-704A, MIL-STD-461E, MIL-STD-810F GM, IP67/68, RTCA/DO-160F |
| Input Voltage | 24Vdc Nominal (16-36 VDC) |



Pic A



Pic B



Pic C

RES-SCE-8EMG (B)
(For Dimensions refer Pic A,B,C)

LAST CHANGE :
 Changed C1 cable reference part number in page 8.

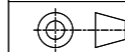
APPROVAL FOR MANUFACTURING
 Add missing specifications on the drawing if necessary (specific labellings, tolerances,...)

CUSTOMER : ASF
 PROGRAM :
 Name : Date :
 CUSTOMER SIGNATURE

DRAWN BY : Prasad M UPDATED BY : Deepak J LAST APPROVED BY : Nikhil W

ALL DIMENSIONS ARE IN MM

SCALE : /



AMPHENOL SOCAPEX

B.P. 29 74311 THYEZ CEDEX

ORIGINAL DRAWING DATE : 12-11-2021 CONFIGURATION DATA ARE AVAILABLE IN PDM

REV : C PAGE : 2/8

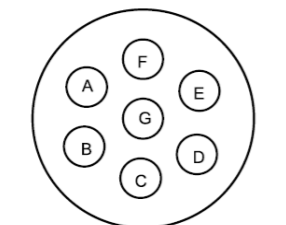
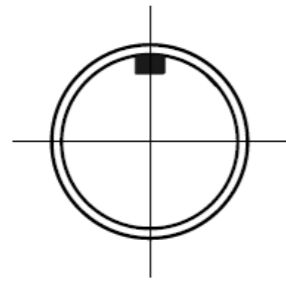
191-PLC-973-00

Note:
 1. The caps are not all shown.
Les bouchons ne sont pas tous représentés.

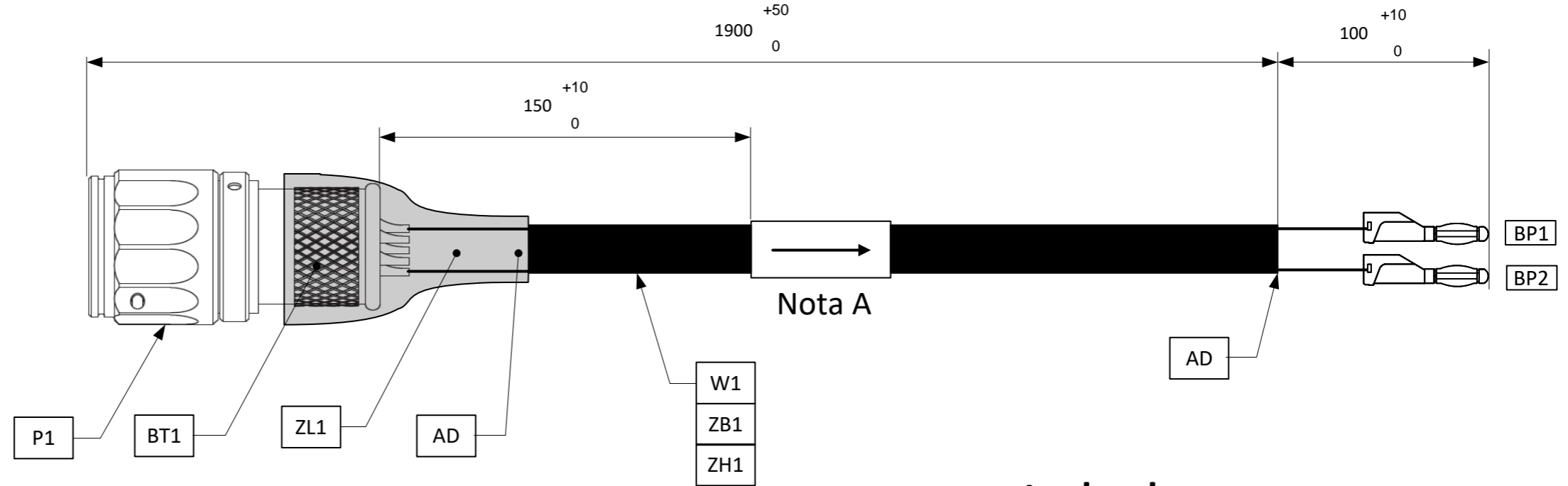
IN THE CONSTANT PURPOSE OF IMPROVING ITS PRODUCTS, Amphenol Socapex RESERVES THE RIGHT TO MODIFY ANY DIMENSION OR CHARACTERISTICS. FM.NPD.0076.THYEZ.PUNE rev B

IN THE CONSTANT PURPOSE OF IMPROVING ITS PRODUCTS, AMPHENOL SOCAPEX RESERVES THE RIGHT TO MODIFY ANY DIMENSION OR CHARACTERISTICS.
FM.NPD.0076.THYEZ.PUNE rev B

Clé principale
Master coding Key location

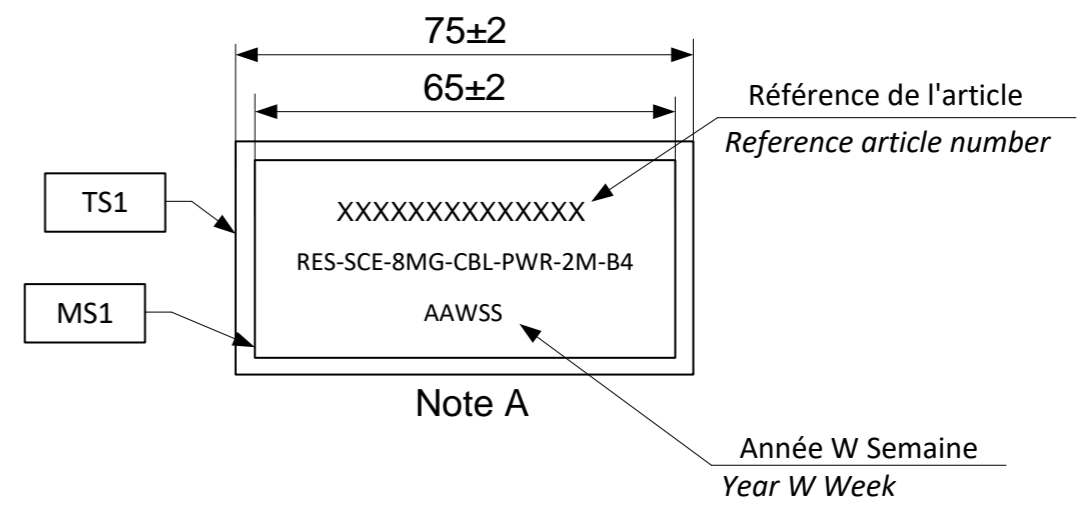


Fiche SCE vue arrière SCE
plug rear face view



Nota A

Label



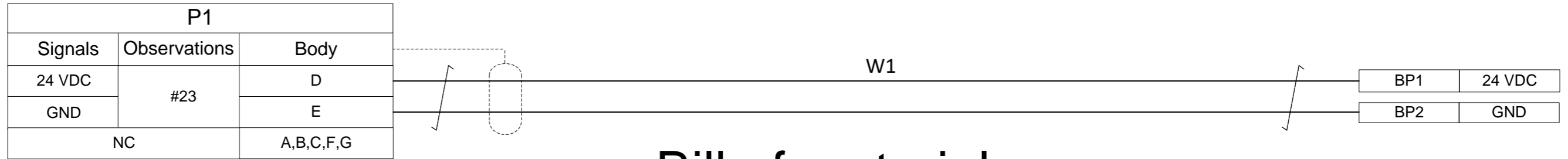
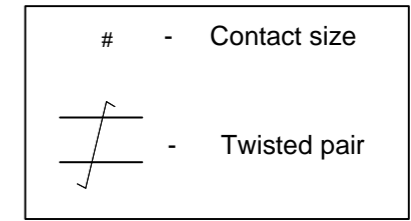
- Notes:
- All dimensions are in millimeter.
Les cotes sont en millimètre.
 - Continuity & insulation resistance test on each S/N.
Test de continuité & résistance d'isolement sur chaque S/N.
 - Packed in sealed bag
Emballé dans un sac étanche.
 - Shielding braid tighten to the connector shell.
Tresse serrée sur la carrosserie.

| | |
|--|---------------------------|
| LAST CHANGE : Changed C1 cable reference part number in page 8. | |
| APPROVAL FOR MANUFACTURING Add missing specifications on the drawing if necessary (specific labellings, tolerances,...) | |
| CUSTOMER : ASF | PROGRAM : - |
| CUSTOMER SIGNATURE | Name : _____ Date : _____ |

| | | | |
|------------------------------------|-----------------------|---|----------------|
| KIT RES-SCE-8MG | | | |
| DRAWN BY : Prasad M | UPDATED BY : Deepak J | LAST APPROVED BY : Nikhil W | |
| ALL DIMENSIONS ARE IN MM | SCALE : / | AMPHENOL SOCAPEX | |
| | | B.P. 29 74311 THYZE CEDEX | |
| ORIGINAL DRAWING DATE : 12-11-2021 | | CONFIGURATION DATA ARE AVAILABLE IN PDM | |
| REV : C | PAGE : 3/8 | | 191-PLC-973-00 |

Cable assembly for power supply : RES-SCE-8MG-CBL-PWR-2M-B4

Wiring diagram



Bill of material

| Sr no | Designation | Component type | Manufacturer Part number | Manufacturer | Unit Qty | UOM |
|-------|-------------|----------------|--|---------------------|----------|-----|
| 1 | P1 | Connector | SCE2-B-L1K06-07PN | Amphenol | 1.00 | EA |
| 2 | BP1 | Banana Plug | FK15S RED | Schützinger | 1.00 | EA |
| 3 | BP2 | Banana Plug | FK15S BLACK | Schützinger | 1.00 | EA |
| 4 | W1 | Wire | KU03-22-9 | ANY APPROVED SOURCE | 2.00 | M |
| 5 | ZB1 | Braid | TB13-T-63 OR EQUIVALENT | ANY APPROVED SOURCE | 2.00 | M |
| 6 | ZH1 | HST | DR25 1/4-0M OR ANY SUITABLE SIZE | Tyco | 2.00 | M |
| 7 | BT1 | Band Tie | M85049/128-7 OR EQUIVALENT | ANY APPROVED SOURCE | 1.00 | EA |
| 8 | ZL1 | Boot | 202K121-25-0 OR ANY SUITABLE SIZE | Tyco | 1.00 | EA |
| 9 | AD | Adhesive | S1125-KIT-8 | Tyco | AR | EA |
| 10 | MS1 | HST | RNF100 1/4-YELLOW OR ANY SUITABLE SIZE | Tyco | 0.07 | M |
| 11 | TS1 | HST | RNF 100 1/4 -TRANSP OR ANY SUITABLE SIZE | Tyco | 0.08 | M |

IN THE CONSTANT PURPOSE OF IMPROVING ITS PRODUCTS, Amphenol Socapex RESERVES THE RIGHT TO MODIFY ANY DIMENSION OR CHARACTERISTICS. FM.NPD.0076.THYEZ.PUNE rev B

LAST CHANGE :
 Changed C1 cable reference part number in page 8.

APPROVAL FOR MANUFACTURING
 Add missing specifications on the drawing if necessary (specific labellings, tolerances,...)

CUSTOMER : ASF
 PROGRAM : -
 Name : _____ Date : _____
 CUSTOMER SIGNATURE _____

KIT RES-SCE-8MG

DRAWN BY : Prasad M UPDATED BY : Deepak J LAST APPROVED BY : Nikhil W

ALL DIMENSIONS ARE IN MM

SCALE : /

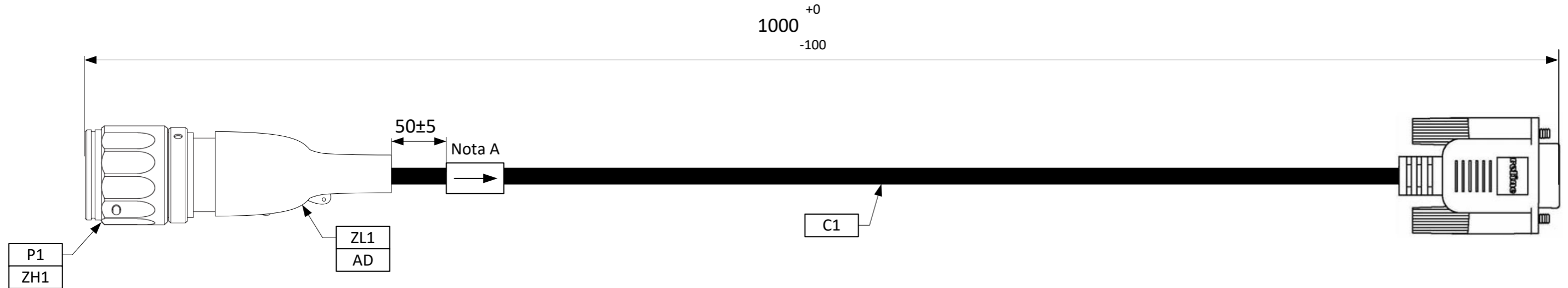
AMPHENOL SOCAPEX
 B.P. 29 74311 THYEZ CEDEX

ORIGINAL DRAWING DATE : 12-11-2021 CONFIGURATION DATA ARE AVAILABLE IN PDM

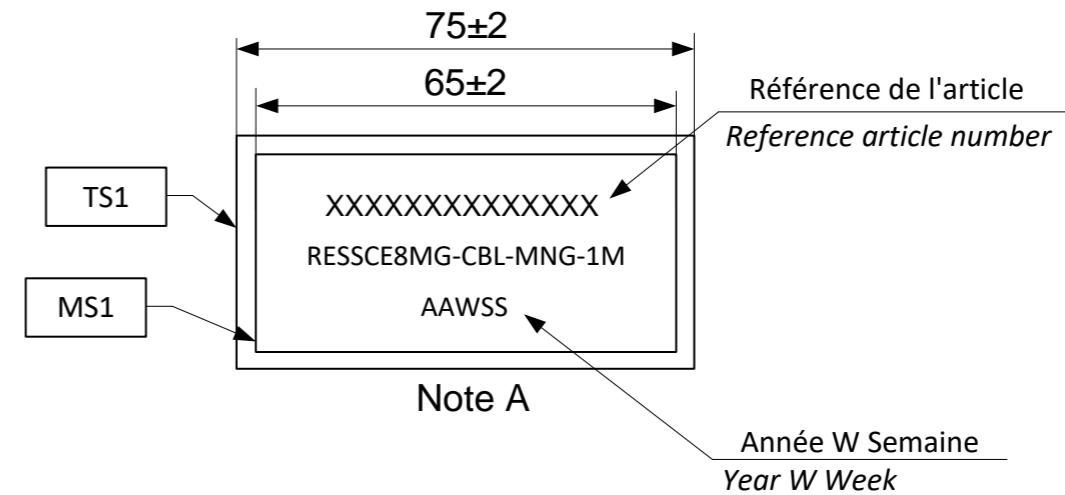
REV : C PAGE : 4/8

191-PLC-973-00

Cable assembly for management port : RESSCE8MG-CBL-MNG-1M



Label



Notes:

- All dimensions are in millimeter.
Les cotes sont en millimètre.
- Continuity & insulation resistance test on each S/N.
Test de continuité & résistance d'isolement sur chaque S/N.
- Packed in sealed bag
Emballé dans un sac étanche.
- Use HST (ZH1) over solder contacts at P1 end.
Utilisez HST (ZH1) sur les contacts de soudure à l'extrémité P1.
- Do not terminate the cable shield over P1 Connector.
Ne terminez pas le blindage du câble sur le connecteur P1.

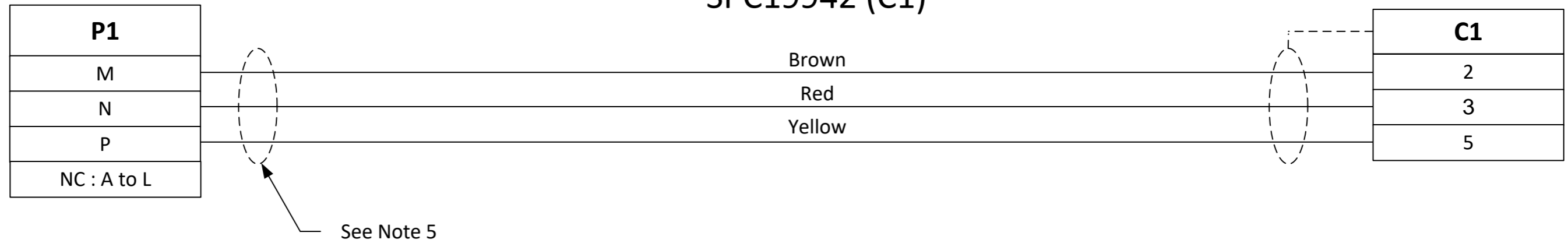
IN THE CONSTANT PURPOSE OF IMPROVING ITS PRODUCTS, Amphenol Socapex RESERVES THE RIGHT TO MODIFY ANY DIMENSION OR CHARACTERISTICS. FM.NPD.0076.THYEZ.PUNE rev B

| | | | | | | |
|--|---------------------------|--------------------------|--|-----------------------------|------------------------------------|---|
| LAST CHANGE : Changed C1 cable reference part number in page 8. | | KIT RES-SCE-8MG | | | | |
| APPROVAL FOR MANUFACTURING Add missing specifications on the drawing if necessary (specific labellings, tolerances,...) | | DRAWN BY : Prasad M | UPDATED BY : Deepak J | LAST APPROVED BY : Nikhil W | | |
| CUSTOMER : ASF | PROGRAM : - | ALL DIMENSIONS ARE IN MM | AMPHENOL SOCAPEX B.P. 29 74311 THYZE CEDEX | | ORIGINAL DRAWING DATE : 12-11-2021 | CONFIGURATION DATA ARE AVAILABLE IN PDM |
| CUSTOMER SIGNATURE | Name : _____ Date : _____ | | | | SCALE : / | REV : C |
| 191-PLC-973-00 | | | | | | |

Cable assembly for management port : RESSCE8MG-CBL-MNG-1M

Wiring diagram

SPC19942 (C1)



Bill of Material

| Sr no | Designation | Component type | Manufacturer Part number | Manufacturer | Unit Qty | UOM |
|-------|-------------|----------------|--|--------------|----------|-----|
| 1 | P1 | Connector | SCE2-B-L1K07-14PN | Amphenol | 1.00 | EA |
| 2 | ZL1 | Boot | 202K121-25-0 OR ANY SUITABLE SIZE | Tyco | 1.00 | EA |
| 3 | AD | Adhesive | S1125-KIT-8 | Tyco | AR | EA |
| 4 | C1 | Cable | SPC19942 | Multicomp | 0.50 | EA |
| 5 | MS1 | HST | RNF100 1/4-YELLOW OR ANY SUITABLE SIZE | Tyco | 0.07 | M |
| 6 | TS1 | HST | RNF100 3/8-TRANSP OR ANY SUITABLE SIZE | Tyco | 0.08 | M |
| 7 | ZH1 | HST | RNF100 3/64-BLACK OR ANY SUITABLE SIZE | Tyco | 0.03 | M |

IN THE CONSTANT PURPOSE OF IMPROVING ITS PRODUCTS, Amphenol Socapex RESERVES THE RIGHT TO MODIFY ANY DIMENSION OR CHARACTERISTICS. FM.NPD.0076.THYEZ.PUNE rev B

LAST CHANGE :
Changed C1 cable reference part number in page 8.

APPROVAL FOR MANUFACTURING
Add missing specifications on the drawing if necessary (specific labellings, tolerances,...)

CUSTOMER : ASF
PROGRAM : -
Name : _____ Date : _____
CUSTOMER SIGNATURE

KIT RES-SCE-8MG

DRAWN BY : Prasad M UPDATED BY : Deepak J LAST APPROVED BY : Nikhil W

ALL DIMENSIONS ARE IN MM

AMPHENOL SOCAPEX
B.P. 29 74311 THYZE CEDEX

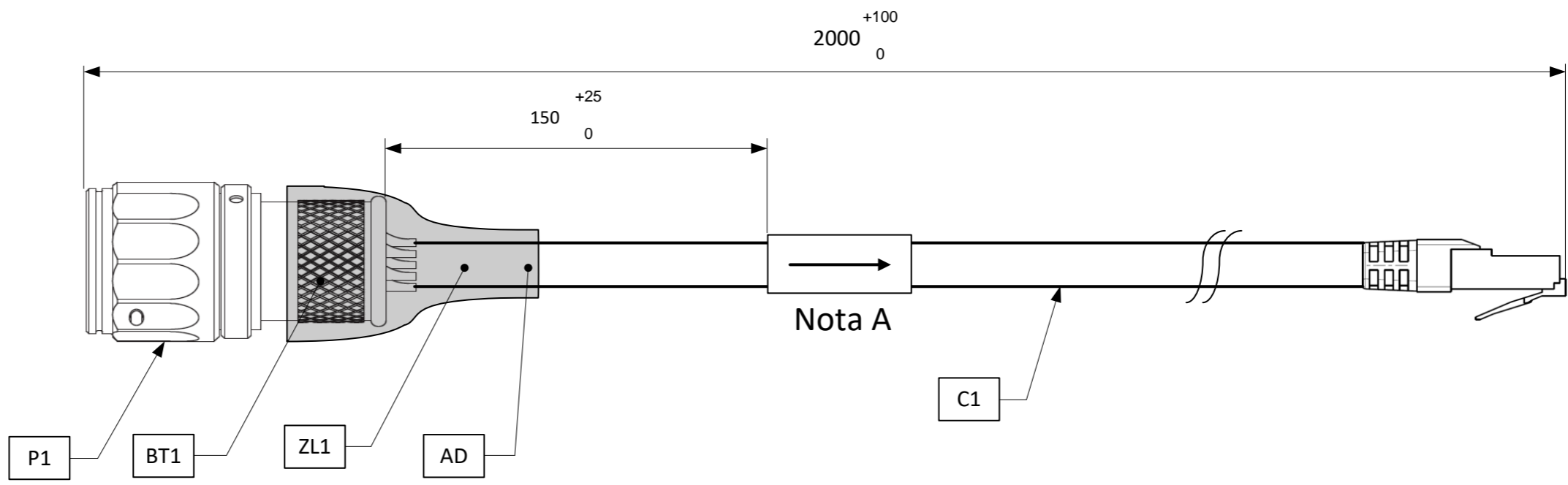
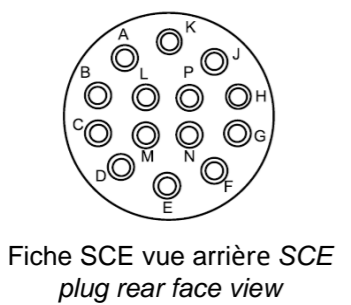
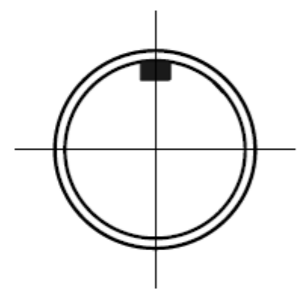
ORIGINAL DRAWING DATE : 12-11-2021 CONFIGURATION DATA ARE AVAILABLE IN PDM

REV : C PAGE : 6/8

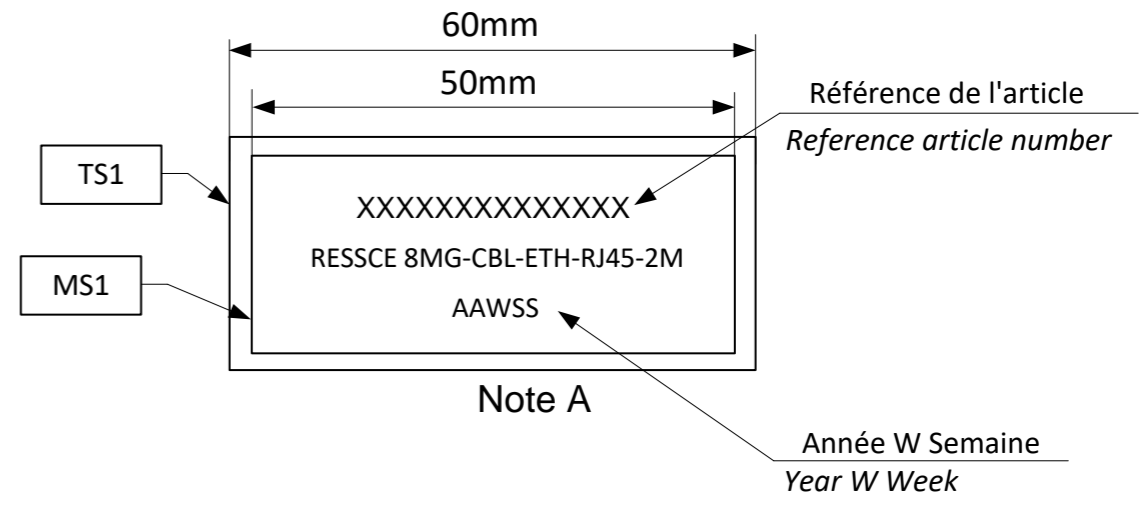
191-PLC-973-00

Cable assembly for LAN ports : RESSCE8MG-CBL-ETH-RJ45-2M

Clé principale
Master coding Key location



Label



- Notes:
- All dimensions are in millimeter.
Les cotes sont en millimètre.
 - Continuity & insulation resistance test on each S/N.
Test de continuité & résistance d'isolement sur chaque S/N.
 - Packed in sealed bag
Emballé dans un sac étanche.
 - Shielding braid tighten to the connector shell.
Tresse serrée sur la carrosserie.

| | |
|--|--------------------|
| LAST CHANGE : Changed C1 cable reference part number in page 8. | |
| APPROVAL FOR MANUFACTURING Add missing specifications on the drawing if necessary (specific labellings, tolerances,...) | |
| CUSTOMER : PROGRAM : Name : Date : | ASF - Date : |
| CUSTOMER SIGNATURE | |

| | | | | |
|---------------------------------------|--|--------------------------------|---------------------------------------|---|
| KIT RES-SCE-8MG | | | | |
| DRAWN BY : Prasad M | UPDATED BY : Deepak J | LAST APPROVED BY : Nikhil W | | |
| ALL DIMENSIONS ARE IN MM SCALE : / | AMPHENOL SOCAPEX B.P. 29 74311 THYEZ CEDEX | | ORIGINAL DRAWING DATE : 12-11-2021 | CONFIGURATION DATA ARE AVAILABLE IN PDM |
| | | | REV : C | PAGE : 7/8 |
| 191-PLC-973-00 | | | | |

IN THE CONSTANT PURPOSE OF IMPROVING ITS PRODUCTS, Amphenol Socapex RESERVES THE RIGHT TO MODIFY ANY DIMENSION OR CHARACTERISTICS.
FM.NPD.0076.THYEZ.PUNE rev B

Cable assembly for LAN ports : RESSCE8MG-CBL-ETH-RJ45-2M

Wiring diagram

Brochage selon TIA 568B/ Pinout type TIA 568B

| SCE2 | RJ-45 | Signal | Couleur / Color |
|-------|---------------|--------|----------------------------------|
| A | 1 | Tx2 | Blanc / White Orange / Orange |
| B | 2 | Rx2 | Orange / Orange |
| C | 3 | Tx3 | Blanc / White Vert / Green |
| D | 4 | Rx1 | Bleu / Blue |
| E | 5 | Tx1 | Blanc / White Bleu / Blue |
| F | 6 | Rx3 | Vert / Green |
| G | 7 | Tx4 | Blanc / White Marron / Brown |
| H | 8 | Rx4 | Marron / Brown |
| J - N | Not connected | | |

Bill of material

| Sr no | Designation | Component type | Manufacturer Part number | Manufacturer | Unit Qty | UOM |
|-------|-------------|-------------------|---|--------------|----------|-----|
| 1 | P1 | Connector | SCE2-B-L1K07-14PN | Amphenol | 1.00 | EA |
| 2 | C1 | Cordset with RJ45 | RJF SFTP 6A 0400 OR ANY SUITABLE LENGTH | Amphenol | 0.50 | EA |
| 3 | BT1 | Band Tie | M85049/128-7 OR EQUIVALENT | Glenair | 1.00 | EA |
| 4 | ZL1 | Boot | 202K121-25-0 OR ANY SUITABLE SIZE | Tyco | 1.00 | EA |
| 5 | AD | Adhesive | S1125-KIT-8 | Tyco | AR | EA |
| 6 | MS1 | HST | RNF100 3/8-4 OR ANY SUITABLE SIZE | Tyco | 0.05 | M |
| 7 | TS1 | HST | RNF 100 3/8 -X OR ANY SUITABLE SIZE | Tyco | 0.06 | M |

Notes:

- All dimensions are in millimeter.
Les cotes sont en millimètre.
- Continuity & insulation resistance test on each S/N.
Test de continuité & résistance d'isolement sur chaque S/N.
- Packed in sealed bag
Emballé dans un sac étanche.
- Shielding braid tighten to the connector shell.
Tresse serrée sur la carrosserie.

LAST CHANGE :

Changed C1 cable reference part number in page 8.

APPROVAL FOR MANUFACTURING

Add missing specifications on the drawing if necessary (specific labellings, tolerances,...)

CUSTOMER : ASF

PROGRAM :
Name : Date :

CUSTOMER
SIGNATURE

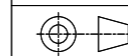
DRAWN BY : Prasad M

UPDATED BY : Deepak J

LAST APPROVED BY : Nikhil W

ALL
DIMENSIONS
ARE IN MM

SCALE : /



AMPHENOL SOCAPEX

B.P. 29 74311 THYEZ CEDEX

ORIGINAL
DRAWING DATE :
12-11-2021

CONFIGURATION
DATA ARE
AVAILABLE IN PDM

REV : C PAGE : 8/8

191-PLC-973-00