

PT 2-TELE - Surge protection device



2882828

<https://www.phoenixcontact.com/us/products/2882828>

Please be informed that the data shown in this PDF document is generated from our online catalog. Please find the complete data in the user documentation. Our general terms of use for downloads are valid.



Surge protective device, consisting of plug and base element, for protecting a double wire from analog and digital telecommunications interfaces (VDSL up to 50 Mbps, on short paths (< 300 m) up to 100 Mbps).

Product description

Surge protection plug for DIN rail mounting, 2-section pluggable, normal mode voltage coarse and fine protection for 2-conductor analog telecommunication interface as well as common mode voltage coarse protection to ground.

Your advantages

- Easy testing and documentation with CHECKMASTER 2 with pluggable protective modules
- Maximum ease of maintenance, thanks to the 2-piece design
- Easy selection for all possible demands in MCR applications with a complete product portfolio

Commercial data

Item number	2882828
Packing unit	10 pc
Minimum order quantity	10 pc
Sales key	CL03
Product key	CL3121
Catalog page	Page 188 (C-4-2019)
GTIN	4046356115148
Weight per piece (including packing)	74 g
Weight per piece (excluding packing)	60.035 g
Customs tariff number	85363010
Country of origin	DE

PT 2-TELE - Surge protection device



2882828

<https://www.phoenixcontact.com/us/products/2882828>

Technical data

Product properties

Product type	Surge protection for information technology
Product family	PLUGTRAB PT
IEC test classification	B2
	C1
	C2
	C3
	D1
Type	DIN rail module, two-section, divisible
Number of positions	2
Surge protection fault message	none
Wire pairs per module	1

Insulation characteristics

Overvoltage category	III
Pollution degree	2

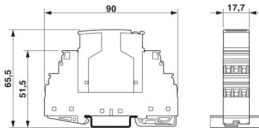
Electrical properties

Nominal voltage U_N	185 V DC
	130 V AC

Connection data

Connection method	Screw connection
Screw thread	M3
Tightening torque	0.5 Nm
Conductor cross section flexible	0.2 mm ² ... 2.5 mm ²
Conductor cross section rigid	0.2 mm ² ... 4 mm ²
Conductor cross section AWG	24 ... 12

Dimensions

Dimensional drawing	
Width	17.7 mm
Height	90 mm
Depth	65.5 mm
Horizontal pitch	1 Div.

Material specifications

Color	black (RAL 9005)
-------	------------------

PT 2-TELE - Surge protection device



2882828

<https://www.phoenixcontact.com/us/products/2882828>

	black (RAL 9005)
Flammability rating according to UL 94	V-0
Housing material	PA 6.6

Mechanical properties

Mechanical data

Open side panel	No
-----------------	----

Protective circuit

Direction of action	Line-Line & Line-Earth Ground
Maximum continuous voltage U_C	185 V DC
	130 V AC
Rated current	450 mA AC (45 °C)
	130 mA DC (45 °C)
Operating effective current I_C at U_C	$\leq 10 \mu\text{A}$
Residual current I_{PE}	$\leq 10 \mu\text{A}$
Nominal discharge current I_n (8/20) μs (line-line)	10 kA
Nominal discharge current I_n (8/20) μs (line-ground)	10 kA
Pulse discharge current I_{imp} (10/350) μs (line-line)	1 kA
Pulse discharge current I_{imp} (10/350) μs (line-earth)	1 kA
Total discharge current I_{total} (8/20) μs	18 kA
Max. discharge current I_{max} (8/20) μs maximum (line-earth)	18 kA
Nominal pulse current I_{an} (10/700) μs (line-line)	100 A
Nominal pulse current I_{an} (10/700) μs (line-earth)	100 A
Output voltage limitation at 1 kV/ μs (line-line) spike	$\leq 300 \text{ V}$
Output voltage limitation at 1 kV/ μs (line-earth) spike	$\leq 300 \text{ V}$
Output voltage limitation at 1 kV/ μs (line-line) static	$\leq 300 \text{ V}$
Output voltage limitation at 1 kV/ μs (line-earth) static	$\leq 300 \text{ V}$
Residual voltage at I_n (conductor-conductor)	$\leq 160 \text{ V}$ (C2 - 10 kV / 5 kA)
Residual voltage at I_n (conductor-ground)	$\leq 200 \text{ V}$ (C2 - 10 kV / 5 kA)
Voltage protection level U_p (line-line)	$\leq 250 \text{ V}$ (B2 - 1 kV / 25 A)
	$\leq 300 \text{ V}$ (B2 - 4 kV / 100 A)
	$\leq 270 \text{ V}$ (C1 - 1 kV / 500 A)
	$\leq 300 \text{ V}$ (C2 - 2 kV/1 kA)
	$\leq 320 \text{ V}$ (C2 - 4 kV / 2 kA)
	$\leq 330 \text{ V}$ (C2 - 10 kV / 5 kA)
Voltage protection level U_p (line-earth)	$\leq 250 \text{ V}$ (B2 - 1 kV / 25 A)
	$\leq 300 \text{ V}$ (B2 - 4 kV / 100 A)
	$\leq 270 \text{ V}$ (C1 - 1 kV / 500 A)
	$\leq 300 \text{ V}$ (C2 - 2 kV/1 kA)
	$\leq 320 \text{ V}$ (C2 - 4 kV / 2 kA)
	$\leq 330 \text{ V}$ (C2 - 10 kV / 5 kA)
Response time t_A (line-line)	$\leq 500 \text{ ns}$
Response time t_A (line-earth)	$\leq 500 \text{ ns}$

PT 2-TELE - Surge protection device



2882828

<https://www.phoenixcontact.com/us/products/2882828>

Input attenuation aE, sym.	typ. 0.4 dB (≤ 5 MHz / 100 Ω)
Cut-off frequency f _g (3 dB), sym. in 100 Ω system	typ. 20 MHz
Capacity (Core-Core)	typ. 30 pF (f=1 MHz / V _R = 0 V)
Capacity (Core-Earth)	typ. 30 pF (f=1 MHz / V _R = 0 V)
Resistance per path	2.2 $\Omega \pm 10$ %
Surge protection fault message	none
Impulse durability (line-line)	B2 - 4 kV / 100 A
	C1 - 1 kV / 500 A
	C2 - 10 kV / 5 kA
	C3 - 25 A
	D1 - 1 kA
Impulse durability (line-earth)	B2 - 4 kV / 100 A
	C1 - 1 kV / 500 A
	C2 - 10 kV / 5 kA
	C3 - 25 A
	D1 - 1 kA

Environmental and real-life conditions

Ambient conditions

Degree of protection	IP20
Ambient temperature (operation)	-40 °C ... 85 °C
Ambient temperature (storage/transport)	-40 °C ... 85 °C
Altitude	≤ 2000 m (amsl)

Standards and regulations

Standards/specifications	IEC 61643-21
Note	2000
Standards/specifications	EN 61643-21
Note	2002

Mounting

Mounting type	DIN rail: 35 mm
---------------	-----------------

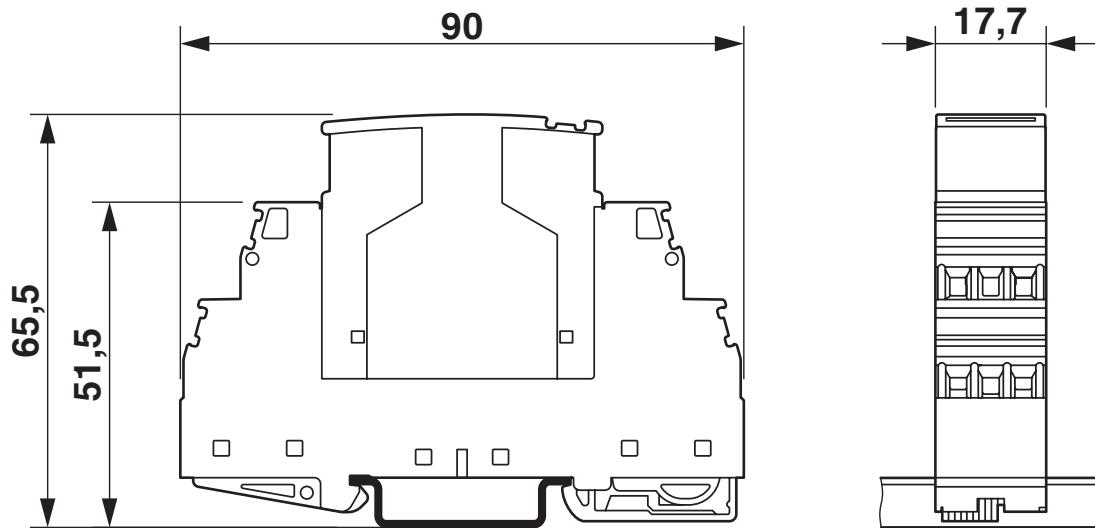
PT 2-TELE - Surge protection device

2882828

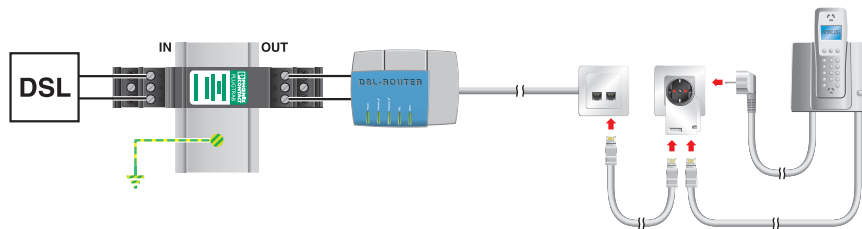
<https://www.phoenixcontact.com/us/products/2882828>

Drawings

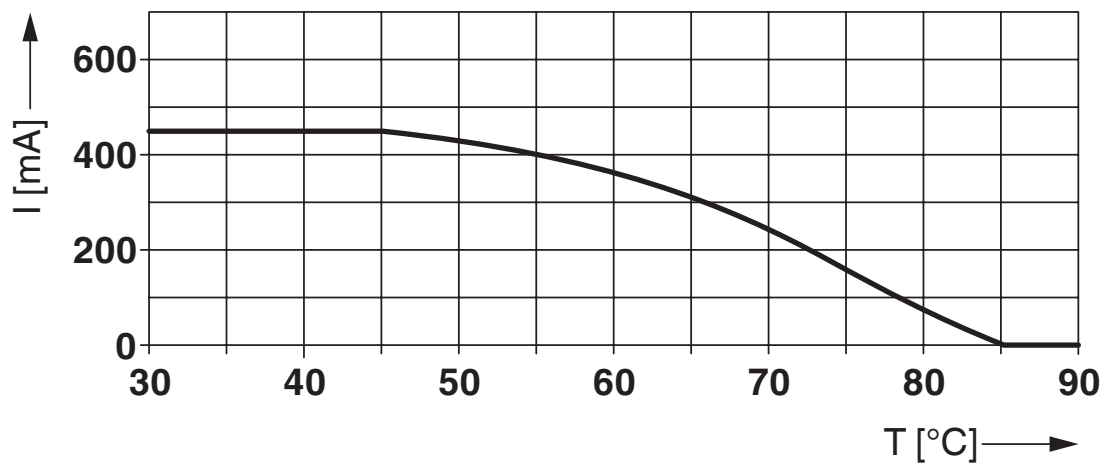
Dimensional drawing



Application drawing



Diagram



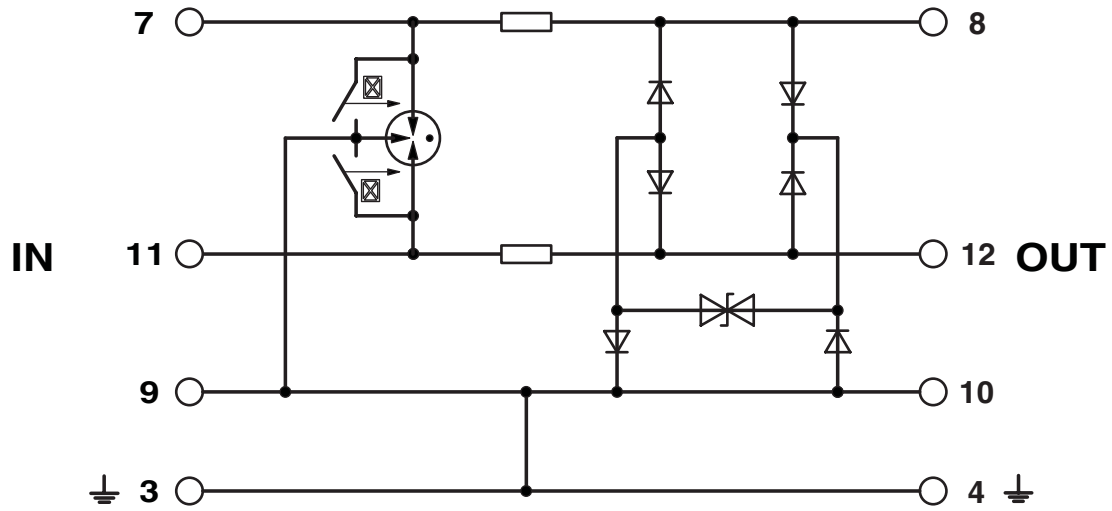
PT 2-TELE - Surge protection device



2882828

<https://www.phoenixcontact.com/us/products/2882828>

Circuit diagram



PT 2-TELE - Surge protection device



2882828

<https://www.phoenixcontact.com/us/products/2882828>

Approvals

To download certificates, visit the product detail page: <https://www.phoenixcontact.com/us/products/2882828>



EAC

Approval ID: EAC-Zulassung



EAC

Approval ID: RU C-DE.*09.B.00169



UL Listed

Approval ID: FILE E 477688



cUL Listed

Approval ID: FILE E 477688

cULus Listed

PT 2-TELE - Surge protection device



2882828

<https://www.phoenixcontact.com/us/products/2882828>

Classifications

ECLASS

ECLASS-11.0	27130807
ECLASS-13.0	27171503

ETIM

ETIM 9.0	EC001466
----------	----------

UNSPSC

UNSPSC 21.0	39121600
-------------	----------

PT 2-TELE - Surge protection device



2882828

<https://www.phoenixcontact.com/us/products/2882828>

Environmental product compliance

EU RoHS

Fulfills EU RoHS substance requirements	Yes
Exemption	7(a), 7(c)-I

China RoHS

Environment friendly use period (EFUP)	EFUP-50
	An article-related China RoHS declaration table can be found in the download area for the respective article under "Manufacturer declaration". For all articles with EFUP-E, no China RoHS declaration table issued and required.

EU REACH SVHC

REACH candidate substance (CAS No.)	Lead(CAS: 7439-92-1)
SCIP	124fdb5c-fa63-4f66-8343-b4bac01df1b5

PT 2-TELE - Surge protection device



2882828

<https://www.phoenixcontact.com/us/products/2882828>

Accessories

ZB 5,LGS:FORTL.ZAHLEN - Zack marker strip

1050017

<https://www.phoenixcontact.com/us/products/1050017>

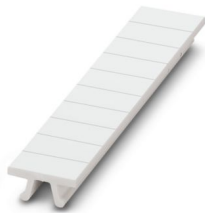


Zack marker strip, Strip, white, labeled, printed horizontally: consecutive numbers 1 ... 10, 11 ... 20, etc. up to 491 ... 500, mounting type: snapped, for terminal block width: 5.2 mm, lettering field size: 5.15 x 10.5 mm, Number of individual labels: 10

ZB 5,8:UNBEDRUCKT - Zack marker strip

2715209

<https://www.phoenixcontact.com/us/products/2715209>



Zack marker strip, Strip, white, unlabeled, can be labeled with: PLOTMARK, CMS-P1-PLOTTER, mounting type: snapped, for terminal block width: 5.8 mm, lettering field size: 5.75 x 10.5 mm, Number of individual labels: 10

PT 2-TELE - Surge protection device

2882828

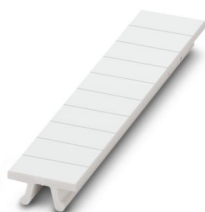
<https://www.phoenixcontact.com/us/products/2882828>



ZB 5,8 CUS - Zack marker strip

0824965

<https://www.phoenixcontact.com/us/products/0824965>



Zack marker strip, can be ordered: Strip, white, labeled according to customer specifications, mounting type: snap into tall marker groove, for terminal block width: 5.8 mm, lettering field size: 5.75 x 10.5 mm, Number of individual labels: 10

SSA 3-6 - Shield connection

2839295

<https://www.phoenixcontact.com/us/products/2839295>



Shield fast connection for 3 ... 6 mm cable diameter. Potential connecting cable: 200 mm, 1 mm², color: black

PT 2-TELE - Surge protection device

2882828

<https://www.phoenixcontact.com/us/products/2882828>



SSA 5-10 - Shield connection

2839512

<https://www.phoenixcontact.com/us/products/2839512>



Shield fast connection for 5 ... 10 mm cable diameter. Potential connecting cable: 200 mm, 1 mm², color: black

SZS 0,6X3,5 VDE - Screwdriver

1212602

<https://www.phoenixcontact.com/us/products/1212602>



Screwdriver, slot-headed, VDE insulated, size: 0.6 x 3.5 x 100 mm, 2-component grip, with non-slip grip

PT 2-TELE - Surge protection device

2882828

<https://www.phoenixcontact.com/us/products/2882828>



PT 2-TELE-ST - Surge protection plug

2838733

<https://www.phoenixcontact.com/us/products/2838733>



Surge protection plug for base element, for protecting a double conductor of analog telecommunication interfaces.

Phoenix Contact 2024 © - all rights reserved

<https://www.phoenixcontact.com>

Phoenix Contact USA
586 Fulling Mill Road
Middletown, PA 17057, United States
(+717) 944-1300
info@phoenixcon.com