

SES(F), 320 KA, 120 V UN, 1PH 2W+G DISTRIBUTION SYSTEM

CATALOG NUMBER

SES320F120V



The nVent ERICO SES320 F Series of Surge Protective Devices (SPD) is an enhanced version of our nVent ERICO SES320B Series. The SES320 F Surge-Filter is robust and features a 320 kA per phase surge rating, increasing both survivability and overall life cycle. With the addition of a filter, bothersome high frequency transients on the power distribution system are attenuated, therefore protecting sensitive equipment. The F Series is a cUL 1449 Listed SPD for Type 2 locations. Typical applications for the nVent ERICO SES320 F Series service entrances, distribution, branch panels, MCC, lighting panels, HVAC, A/V systems, IT equipment, and more.

CERTIFICATIONS



FEATURES

- Compact design can be directly mounted to panel or installed in a small space
- Front-facing design eases installation and performance monitoring
- 320 kA 8/20 μ s maximum surge rating per phase
- Up to 60 dB attenuation (10 kHz to 100 MHz)
- Ground reference monitoring triggers an alarm when N-PE mode exceeds 20 volts
- Optional Flush Mounting Plate
- 10-year limited warranty

PRODUCT ATTRIBUTES

- Nominal System Voltage (Un): 120 V
- Max Continuous Operating Voltage (Uc): 180 V
- Distribution System: 1Ph 2W+G
- Filtering: -40 dB @ 100 kHz
- Frequency: 0 - 600 Hz
- Short Circuit Current Rating (SCCR): 200 kA
- Voltage Protection Rating (VPR), L-G: 800 V
- Voltage Protection Rating (VPR), L-N: 700 V
- Voltage Protection Rating (VPR), N-G: 600 V

Nominal Discharge Current (In), Per Mode: 20 kA 8/20 μ s

Max Discharge Current (Imax), Per Phase: 320 kA 8/20 μ s

Protection Modes: All modes protected

Status Indication: 1 green LED per line;Dual color status LED, flashing red for faults;Audible alarm

Remote Contact Switching Capacity: 2 A @ 240 V

Remote Contacts: Yes

Lead Length: 36

Lead Size imperial: #10

Temperature: -40 to 185 °F

Enclosure Material: Polycarbonate

Enclosure Rating: NEMA®-4X;UL® 50E Type 4

Mounting: 3/4" straight nipple

Unit Weight: 1.38 lb

Certification Details: CSA C22.2 No. 269.2;UL® 1283 Edition 7;UL® 1449 Edition 5 Type 2, 20 kA Mode

Complies With: ANSI®/IEEE® C62.41.2-2002 Cat A, Cat B, Cat C;ANSI®/IEEE® C62.41.1-2002 Cat A, Cat B, Cat C;ANSI®/IEEE® C62.45-2002 Cat A, Cat B, Cat C;Mil-Std 220A

Depth (D): 2.99"

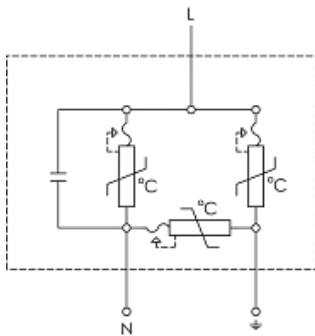
Height (H): 6.89"

Width (W): 8.38"

ADDITIONAL PRODUCT DETAILS

Optional Flush Plate available: SES320FP

DIAGRAMS



WARNING

nVent products shall be installed and used only as indicated in nVent's product instruction sheets and training materials. Instruction sheets are available at www.nvent.com and from your nVent customer service representative. Improper installation, misuse, misapplication or other failure to completely follow nVent's instructions and warnings may cause product malfunction, property damage, serious bodily injury and death and/or void your warranty.

North America
+1.800.753.9221
Option 1 – Customer Care
Option 2 – Technical Support

Europe
Netherlands:
+31 800-0200135
France:
+33 800 901 793

Europe
Germany:
800 1890272
Other Countries:
+31 13 5835404

APAC
Shanghai:
+ 86 21 2412 1618/19
Sydney:
+61 2 9751 8500



Our powerful portfolio of brands:
nVent.com CADDY ERICO HOFFMAN RAYCHEM SCHROFF
TRACER