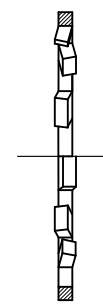
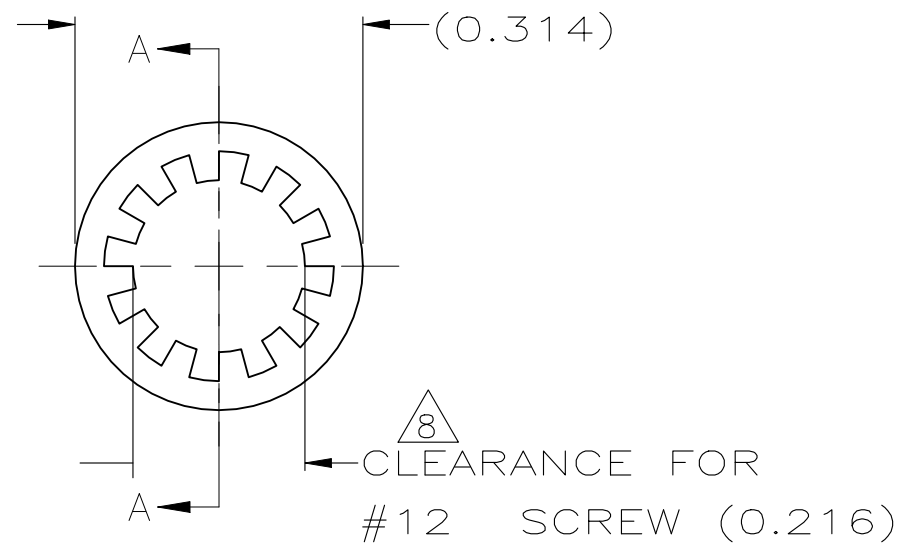


REVISIONS

P	LTR	DESCRIPTION	DATE	DWN	APVD
	E2	ECR-24-198947	31JAN2024	SS	WH



SECTION A-A

- 1 PHOS BRONZE OR EQUIVALENT.
- 2 STAINLESS STEEL PER ASTM-A-240
- 3 SILVER PLATE PER QQ-S-365
- 4 GOLD PER ASTM-B-488
- 5 PASSIVATED PER AMS-QQ-P-35
- 8 #12 TYPE A INTERNAL TOOTH LOCK WASHER IAW ASME B18.21.1 TABLE-6.

3	1	5-328691-0
5	2	1-328691-3
4 5	2	1-328691-2
3	1	328691
FINISH	MATERIAL	PART NUMBER

THIS DRAWING IS A CONTROLLED DOCUMENT.		DWN P. YEAGER 09MAR06	<b>STE</b> TE Connectivity														
DIMENSIONS: INCHES		CHK W. MOYER 10MAR06															
TOLERANCES UNLESS OTHERWISE SPECIFIED:		APVD W. MOYER 10MAR06	NAME LOCKWASHER														
<table border="0"> <tr><td>0 PLC</td><td>± -</td></tr> <tr><td>1 PLC</td><td>± -</td></tr> <tr><td>2 PLC</td><td>± -</td></tr> <tr><td>3 PLC</td><td>± .008</td></tr> <tr><td>4 PLC</td><td>± -</td></tr> <tr><td>ANGLES</td><td>± -</td></tr> </table>		0 PLC	± -	1 PLC	± -	2 PLC	± -	3 PLC	± .008	4 PLC	± -	ANGLES	± -	PRODUCT SPEC -	-		
0 PLC	± -																
1 PLC	± -																
2 PLC	± -																
3 PLC	± .008																
4 PLC	± -																
ANGLES	± -																
MATERIAL -		FINISH -	APPLICATION SPEC -	SIZE A3	CAGE CODE 00779	DRAWING NO C-328691	RESTRICTED TO -										
CUSTOMER DRAWING			WEIGHT -	SCALE 1:1	SHEET 1 OF 1	REV E2											