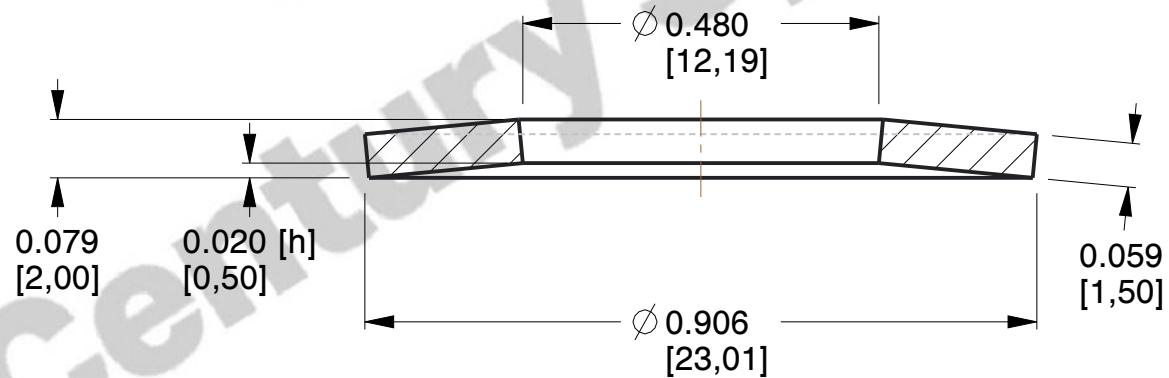


	25% h	50% h	75% h	100% h
Load (lbs)	11	20	29	37
Deflection (in)	0.0074	0.0148	0.0223	0.0297
Stress (x 10 ³)	69	132	188	269



NOTES:

1. Material: High Carbon C-1075
2. All Drawing Dimensions are in Inches [mm]

COMPONENT		DISC SPRINGS	
CDM-63203		UNIT	
		INCH [mm]	
CDM DISC SPRINGS		SHEET	
		1 of 1	