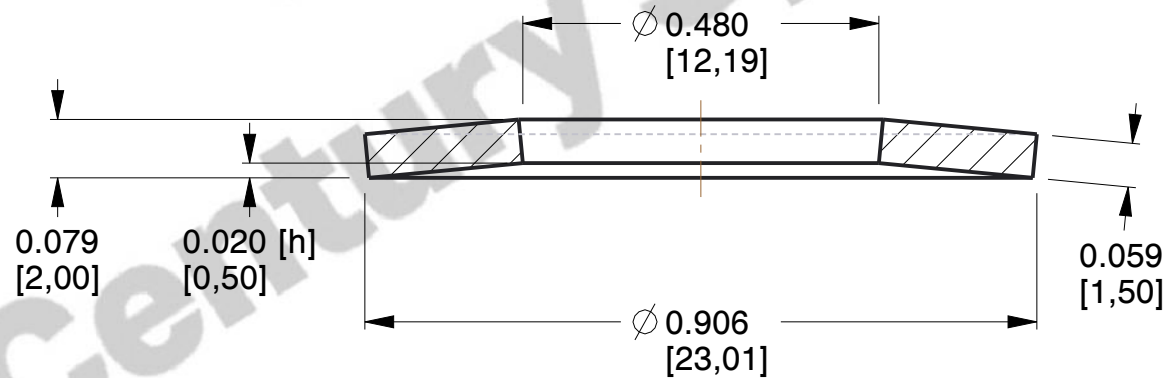


| | 25% h | 50% h | 75% h | 100% h |
|-----------------------------|-------|--------|--------|--------|
| Load (lbs) | 11 | 20 | 29 | 37 |
| Deflection (in) | 0.005 | 0.0099 | 0.0149 | 0.0198 |
| Stress (x 10 ³) | 69 | 132 | 188 | 269 |



NOTES:

1. Material: High Carbon C-1075
2. All Drawing Dimensions are in Inches [mm]

| COMPONENT | | DISC SPRINGS | |
|------------------|--|--------------|--|
| CDM-63203 | | UNIT | |
| | | INCH [mm] | |
| CDM DISC SPRINGS | | SHEET | |
| | | 1 of 1 | |