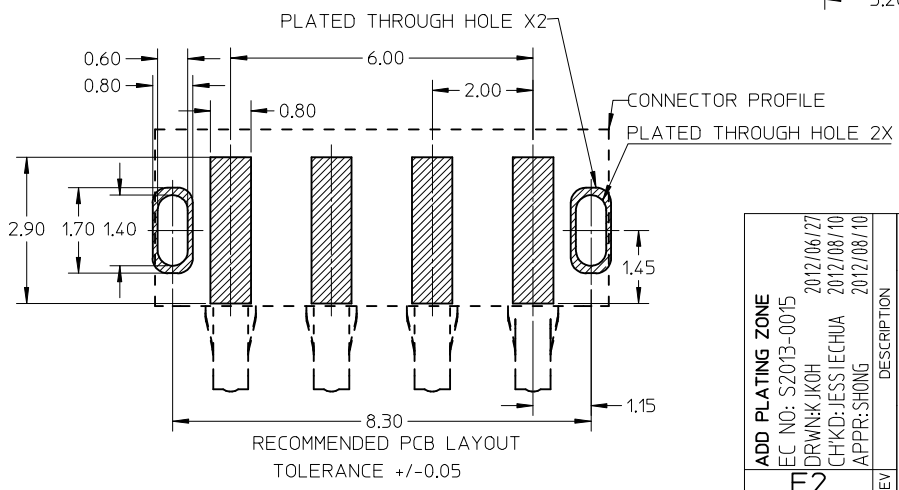
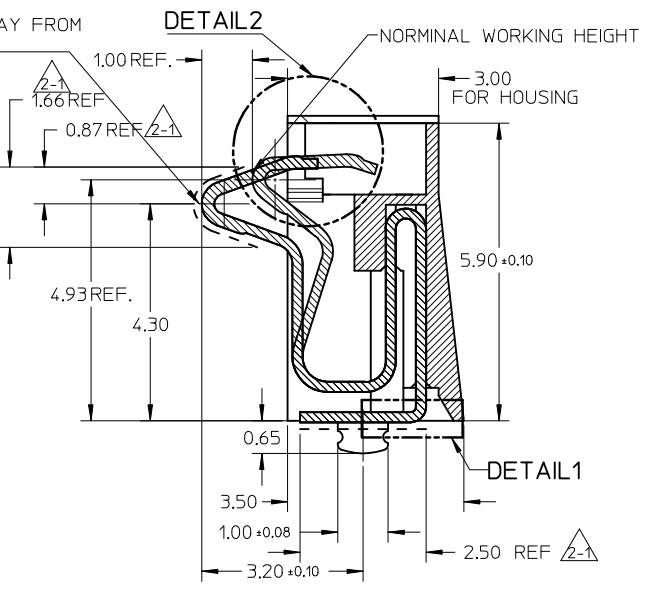
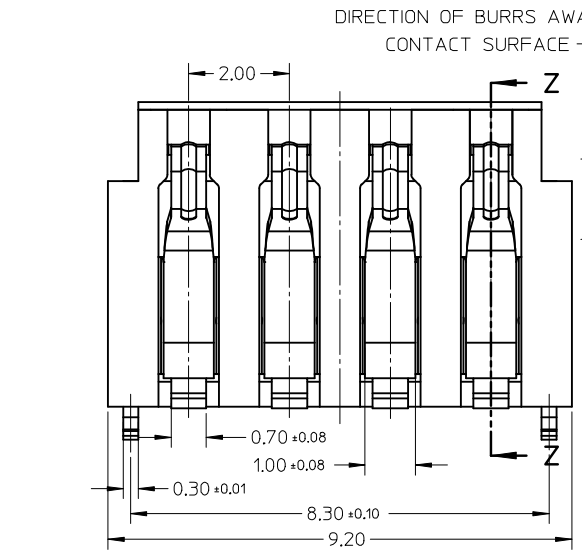
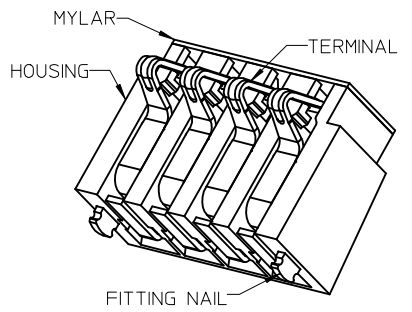
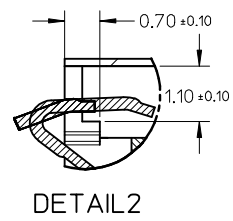
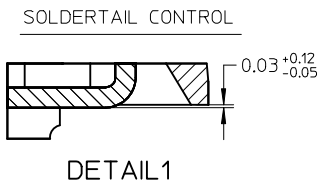
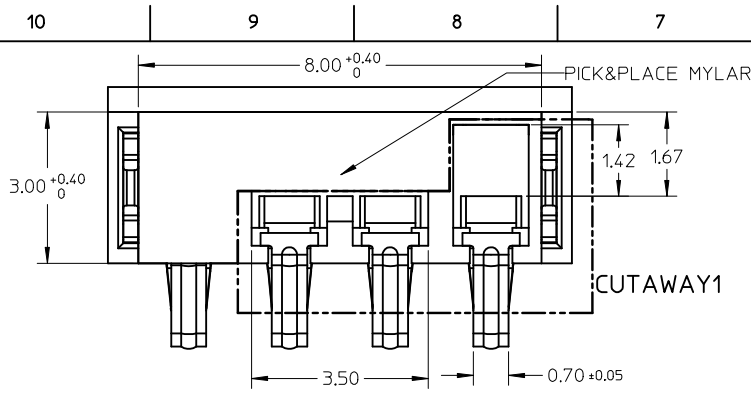


NOTES:

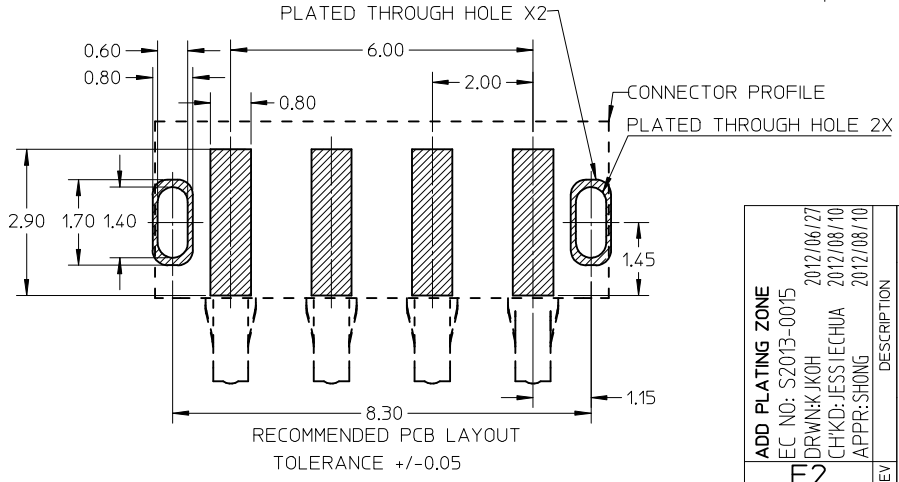
- 1 MATERIAL:
 - 1-1 TERMINAL : BERYLLIUM COPPER, THICKNESS 0.20MM
 - 1-2 HOUSING : HIGH TEMPERATURE THERMAL PLASTIC
 - 1-3 FITTING NAIL : BRASS, THICKNESS 0.30MM
 - 1-4 MYLAR : THICKNESS 0.15MM
- 2 FINISH:
 - 2-1 TERMINAL :
 - 50~150μ NICKEL UNDER PLATED
 - 30μ MIN GOLD PLATING ON CONTACT AREA
 - 3μ MIN GOLD FLASH ON SOLDERING AREA
 - 2-2 FITTING NAIL :
 - 50~200μ NICKEL UNDER PLATED
 - 100~200μ TIN PLATED ON SOLDERING AREA
- 3 MECHANICAL SPECIFICATION:
 - 3-1 FORCE : 135±25g/ 0.7mm AWAY FROM HOUSING SURFACE
 - 3-2 MATING CYCLES : 10,000 TIMES
- 4 ELECTRICAL SPECIFICATION:
 - 4-1 RATED VOLTAGE : 200 VOLTS RMS MAX.
 - 4-2 RATED CURRENT : 1.5 AMPS CONTINUOUS AND 2 AMPS PULSES
 - 4-3 CONTACT RESISTANCE : 25 MILLIOHMS MAX.
- 5 ADHIBIT MYLAR AFTER ASSEMBLY PROCESS
- 6 COMPLIANT TO RoHS DIRECTIVE 2002/95/EC AND ELV 2000/53/EC.



ADD PLATING ZONE EC NO: S2013-0015 DRW/K: JKH CHK/D: JESSIE CHUA APPR: SHONG	QUALITY SYMBOLS ▽=0 ◻=0	GENERAL TOLERANCES (UNLESS SPECIFIED)		DIMENSION STYLE MM ONLY		SCALE 10:1	DESIGN UNITS METRIC	THIRD ANGLE PROJECTION	
		4 PLACES ± --- ± ---	3 PLACES ± --- ± ---	DRAWN BY XU XIANG	DATE 2006-06-29	TITLE 2.0MM PITCH 4 PINS T/H SIDE CONTACT BATTERY CONN.			
		2 PLACES ± 0.15 ± ---	1 PLACE ± --- ± ---	CHECKED BY XU XIANG	DATE 2007/03/14	APPROVED BY JNCHEN			
		ANGULAR ± ---°		MATERIAL NO. SEE TABLE	DATE 2007/03/19	DOCUMENT NO. SD-47507-001			
F2	REV	DRAFT WHERE APPLICABLE MUST REMAIN WITHIN DIMENSIONS		SIZE A3	THIS DRAWING CONTAINS INFORMATION THAT IS PROPRIETARY TO MOLEX INCORPORATED AND SHOULD NOT BE USED WITHOUT WRITTEN PERMISSION				



- NOTES:
- MATERIAL:
 - 1-1 TERMINAL : BERYLLIUM COPPER, THICKNESS 0.20MM
 - 1-2 HOUSING : HIGH TEMPERATURE THERMAL PLASTIC
 - 1-3 FITTING NAIL : BRASS, THICKNESS 0.30MM
 - 1-4 MYLAR : THICKNESS 0.15MM
 - FINISH:
 - 2-1 TERMINAL :
 - 50~150μ NICKEL UNDER PLATED
 - 30μ MIN GOLD PLATING ON CONTACT AREA
 - 3μ MIN GOLD FLASH ON SOLDERING AREA
 - 2-2 FITTING NAIL :
 - 50~200μ NICKEL UNDER PLATED
 - 100~200μ TIN PLATED ON SOLDERING AREA
 - MECHANICAL SPECIFICATION:
 - 3-1 FORCE : 135±25g/ 0.7mm AWAY FROM HOUSING SURFACE
 - 3-2 MATING CYCLES : 10,000 TIMES
 - ELECTRICAL SPECIFICATION:
 - 4-1 RATED VOLTAGE : 200 VOLTS RMS MAX.
 - 4-2 RATED CURRENT : 1.5 AMPS CONTINUOUS AND 2 AMPS PULSES
 - 4-3 CONTACT RESISTANCE : 25 MILLIOHMS MAX.
 - ADHIBIT MYLAR AFTER ASSEMBLY PROCESS
 - COMPLIANT TO RoHS DIRECTIVE 2002/95/EC AND ELV 2000/53/EC.



ADD PLATING ZONE EC NO: S2013-0015 DRW/K: JKH CHK/D: JESSIE CHUA APPR: SHONG 2012/06/27 2012/08/10 2012/08/10	QUALITY SYMBOLS	GENERAL TOLERANCES (UNLESS SPECIFIED)	DIMENSION STYLE	SCALE	DESIGN UNITS	THIRD ANGLE PROJECTION
	$\nabla=0$ $\square=0$	mm INCH 4 PLACES ± --- ± --- 3 PLACES ± --- ± --- 2 PLACES ± 0.15 ± --- 1 PLACE ± --- ± --- ANGULAR ± ---°	MM ONLY	10:1	METRIC	
	REV	DESCRIPTION	DRAWN BY	DATE	TITLE	2.0MM PITCH 4 PINS T/H SIDE CONTACT BATTERY CONN. MOLEX INCORPORATED
	F2		XU XIANG	2006-06-29		
		DRAFT WHERE APPLICABLE MUST REMAIN WITHIN DIMENSIONS	CHECKED BY	DATE	DOCUMENT NO.	SHEET NO.
			XU XIANG	2007/03/14	SD-47507-001	1 OF 1
			APPROVED BY	DATE	THIS DRAWING CONTAINS INFORMATION THAT IS PROPRIETARY TO MOLEX INCORPORATED AND SHOULD NOT BE USED WITHOUT WRITTEN PERMISSION	
			JNCHEN	2007/03/19		