

TE Internal #: 2314578-2

Backplane Power Connectors, PCB Mount Header, Board-to-Board,
40 Position, Right Angle, Traditional Backplane, Printed Circuit
Board, Power & Signal

[View on TE.com >](#)

Connectors > Power Connectors > Backplane Power Connectors

PCB Connector Assembly Type: **PCB Mount Header**Connector System: **Board-to-Board**Number of Positions: **40**PCB Mount Orientation: **Right Angle**Backplane Architecture: **Traditional Backplane**

Features

Product Type Features

Connector & Housing Type	Receptacle
PCB Connector Assembly Type	PCB Mount Header
Connector System	Board-to-Board
Connector & Contact Terminates To	Printed Circuit Board

Configuration Features

Number of Power Positions	8
Number of Columns	8
Number of Signal Positions	32
Number of Positions	40
PCB Mount Orientation	Right Angle
Backplane Architecture	Traditional Backplane
Stackable	No

Electrical Characteristics

Operating Voltage	300 VDC
-------------------	---------

Contact Features

PCB Contact Termination Area Plating Material Thickness	.127 μm [5 μin]
Contact Type	Socket
Contact Mating Area Plating Material Thickness	1.27 μm [50 μin]



Contact Mating Area Plating Material	Gold over Nickel
--------------------------------------	------------------

PCB Contact Termination Area Plating Material	Gold
-----------------------------------------------	------

Contact Base Material	Copper Alloy
-----------------------	--------------

Contact Current Rating (Max)	75 A
------------------------------	------

Termination Features

Termination Method to Printed Circuit Board	Through Hole - Press-Fit
---------------------------------------------	--------------------------

Housing Features

Housing Material	Thermoplastic
------------------	---------------

Housing Color	Black
---------------	-------

Usage Conditions

Operating Temperature Range	-40 – 125 °C[-40 – 257 °F]
-----------------------------	----------------------------

Operation/Application

Circuit Application	Power & Signal
---------------------	----------------

Industry Standards

UL Flammability Rating	UL 94V-0
------------------------	----------

Product Compliance

[For compliance documentation, visit the product page on TE.com>](#)

EU RoHS Directive 2011/65/EU	Compliant
------------------------------	-----------

EU ELV Directive 2000/53/EC	Not Yet Reviewed
-----------------------------	------------------

China RoHS 2 Directive MIIT Order No 32, 2016	No Restricted Materials Above Threshold
-----------------------------------------------	-----------------------------------------

EU REACH Regulation (EC) No. 1907/2006	Current ECHA Candidate List: JAN 2024 (240) Candidate List Declared Against: JAN 2019 (197) SVHC > Threshold: Not Yet Reviewed
----------------------------------------	-----------------------------------------------------------------------------------------------------------------------------------------

Halogen Content	Low Halogen - Br, Cl, F, I < 900 ppm per homogenous material. Also BFR/CFR/PVC Free
-----------------	-------------------------------------------------------------------------------------

Solder Process Capability	Not reviewed for solder process capability
---------------------------	--------------------------------------------

Product Compliance Disclaimer

This information is provided based on reasonable inquiry of our suppliers and represents our current actual knowledge based on the information they provided. This information is subject to change. The part numbers that TE has identified as EU RoHS compliant have a maximum concentration of 0.1% by weight in homogenous materials for lead, hexavalent chromium, mercury, PBB, PBDE, DBP, BBP, DEHP, DIBP, and 0.01% for cadmium, or qualify for an exemption to these



limits as defined in the Annexes of Directive 2011/65/EU (RoHS2). Finished electrical and electronic equipment products will be CE marked as required by Directive 2011/65/EU. Components may not be CE marked. Additionally, the part numbers that TE has identified as EU ELV compliant have a maximum concentration of 0.1% by weight in homogenous materials for lead, hexavalent chromium, and mercury, and 0.01% for cadmium, or qualify for an exemption to these limits as defined in the Annexes of Directive 2000/53/EC (ELV). Regarding the REACH Regulations, TE's information on SVHC in articles for this part number is still based on the European Chemical Agency (ECHA) 'Guidance on requirements for substances in articles' (Version: 2, April 2011), applying the 0.1% weight on weight concentration threshold at the finished product level. TE is aware of the European Court of Justice ruling of September 10th, 2015 also known as O5A (Once An Article Always An Article) stating that, in case of 'complex object', the threshold for a SVHC must be applied to both the product as a whole and simultaneously to each of the articles forming part of its composition. TE has evaluated this ruling based on the new ECHA "Guidance on requirements for substances in articles" (June 2017, version 4.0) and will be updating its statements accordingly.

Compatible Parts



TE Part # 2309390-1
VERT RECPT, MULTI-BEAM XLE, VITA 62

Customers Also Bought



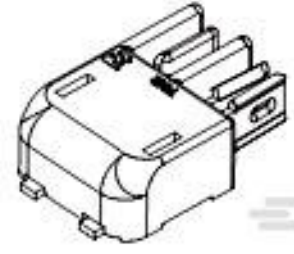
TE Part #1825011-5
ASF22GL04=DPDT AUTOSLIDE




TE Part #2-1445057-2
MICRO MNL HDR ASSY SINGLE ROW



TE Part #1625854-2
0805 PROBE PAD



TE Part #2058703-2
Herm Blade & Recp Assy, 4 Pos, Latch



TE Part #1447360-8
SHIELD FINGER 1312 A TYPE



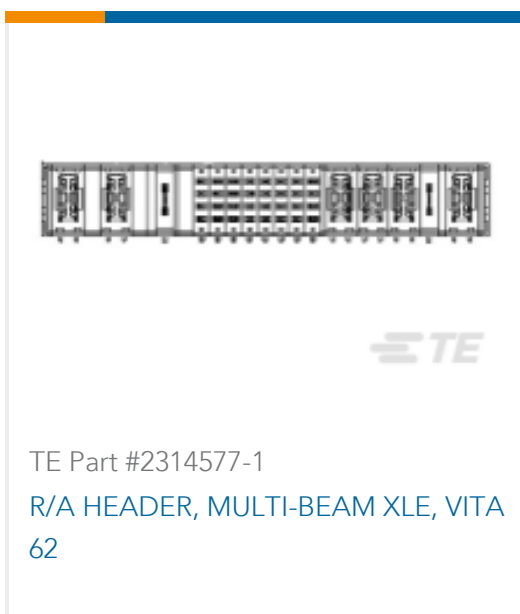
TE Part #1879208-1
CPF 0402 10R 0.1% 25PPM 1K RL



TE Part #350180
TEST PROBE ASSEMBLY, REC, PA66, BLACK



TE Part #350180-2
TEST PROBE REC130L SPCL RED GPBR



Documents

Product Drawings

[R/A HEADER, MULTI-BEAM XLE, VITA 62](#)

English

CAD Files

[3D PDF](#)

3D

Customer View Model

[ENG_CVM_CVM_2314578-2_A.2d_dxf.zip](#)

English

Customer View Model

[ENG_CVM_CVM_2314578-2_A.3d_igs.zip](#)

English

Customer View Model

[ENG_CVM_CVM_2314578-2_A.3d_stp.zip](#)

English

By downloading the CAD file I accept and agree to the [Terms and Conditions](#) of use.

Datasheets & Catalog Pages

[SOSA Aligned Interconnect Solutions](#)

English