

| MATERIAL NUMBER | # OF COLUMNS | # OF DIFF PAIR | DIM "A" MAX | DIM "B" | PTH ϕ |
|-----------------|--------------|----------------|-------------|---------|-----------------|
| 76560-11** | 10 | 60 | 19.00 | 17.10 | 0.46 \pm 0.05 |
| 76560-17** | 14 | 84 | 26.60 | 24.70 | 0.46 \pm 0.05 |
| 76560-16** | 16 | 96 | 30.40 | 28.50 | 0.46 \pm 0.05 |
| 76560-11** | 10 | 60 | 19.00 | 17.10 | 0.39 \pm 0.05 |
| 76560-17** | 14 | 84 | 26.60 | 24.70 | 0.39 \pm 0.05 |
| 76560-16** | 16 | 96 | 30.40 | 28.50 | 0.39 \pm 0.05 |

76560-****

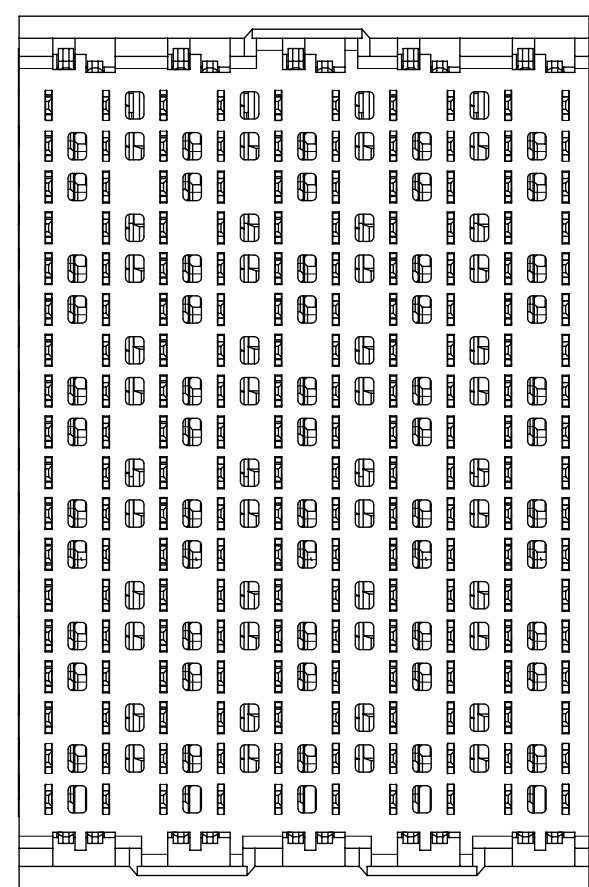
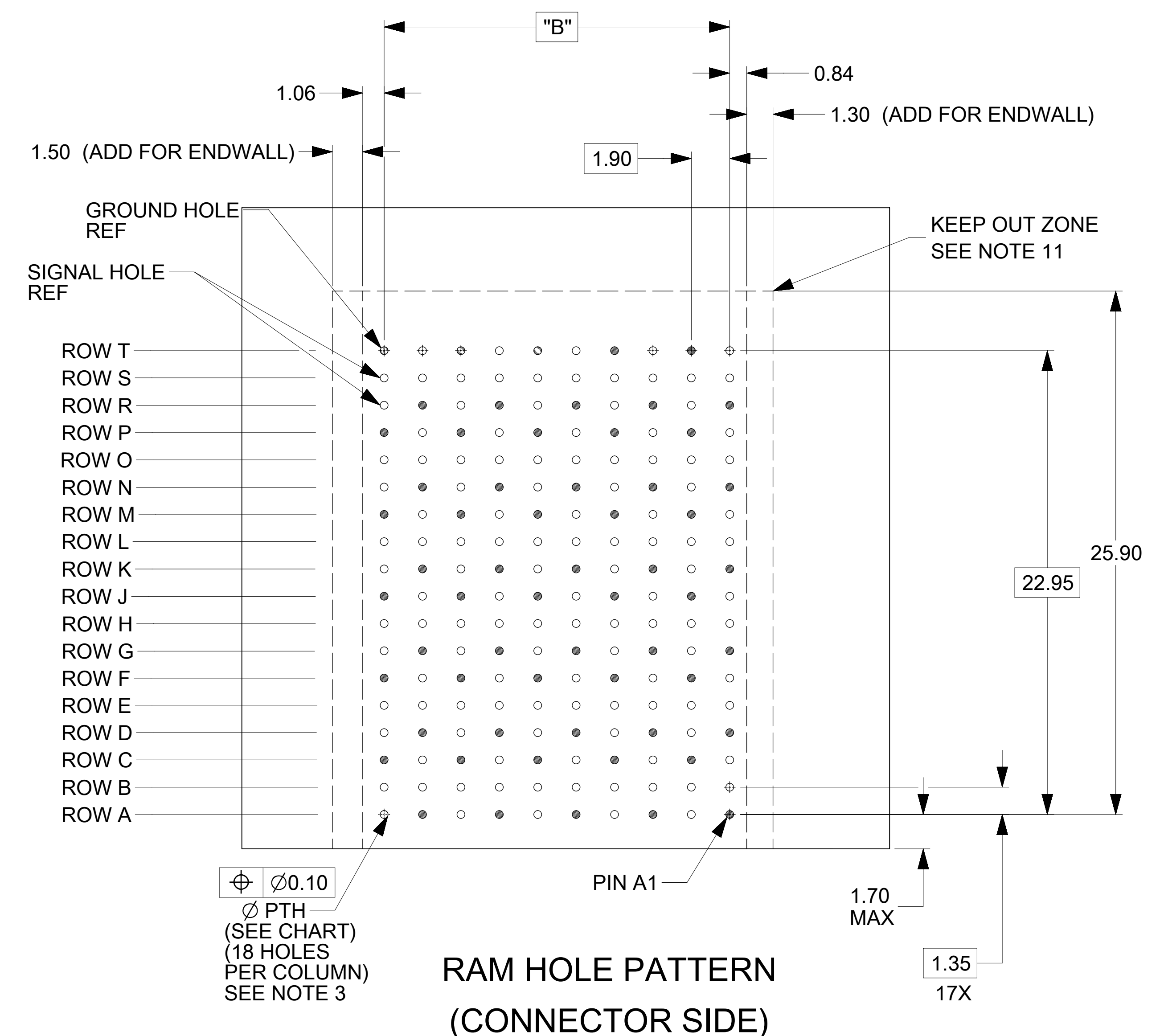
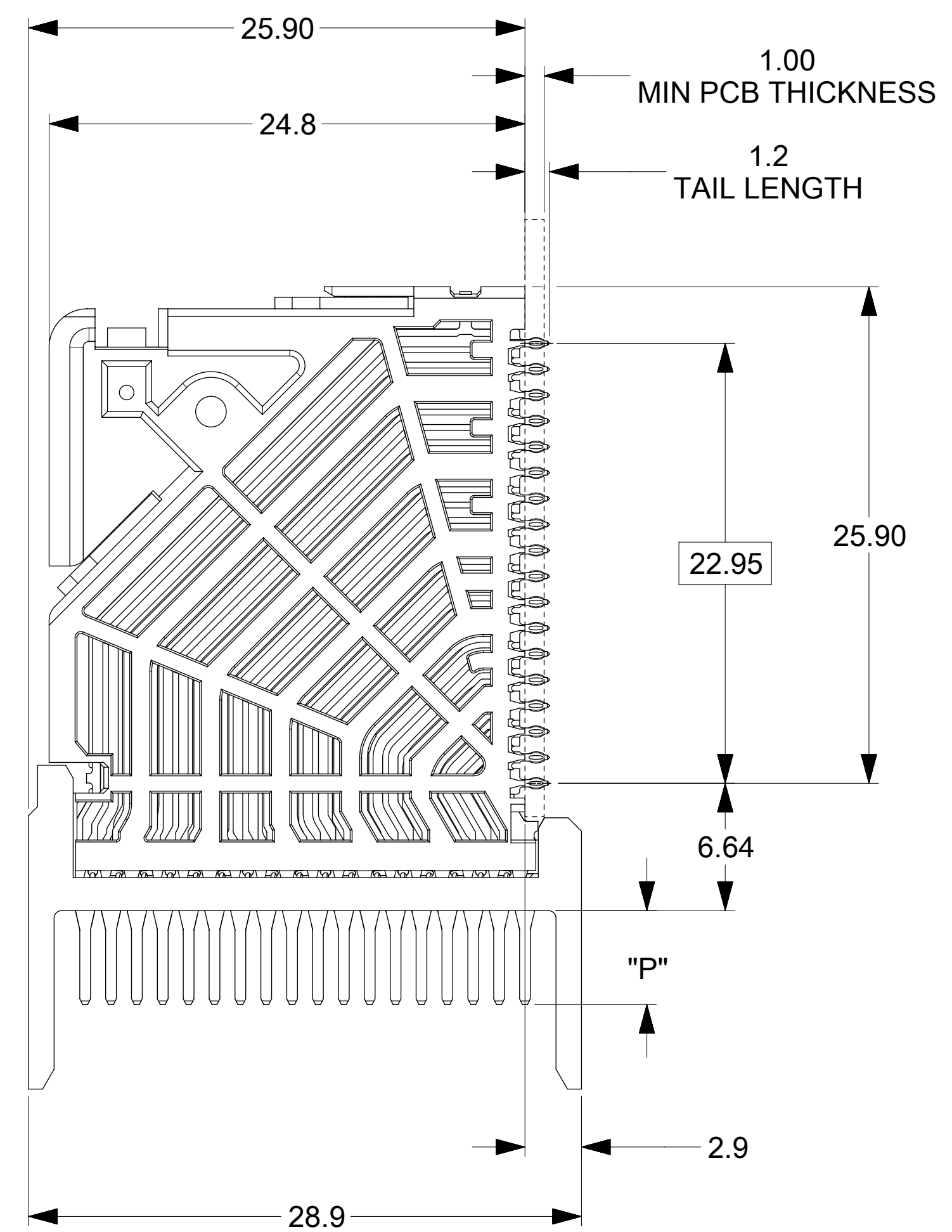
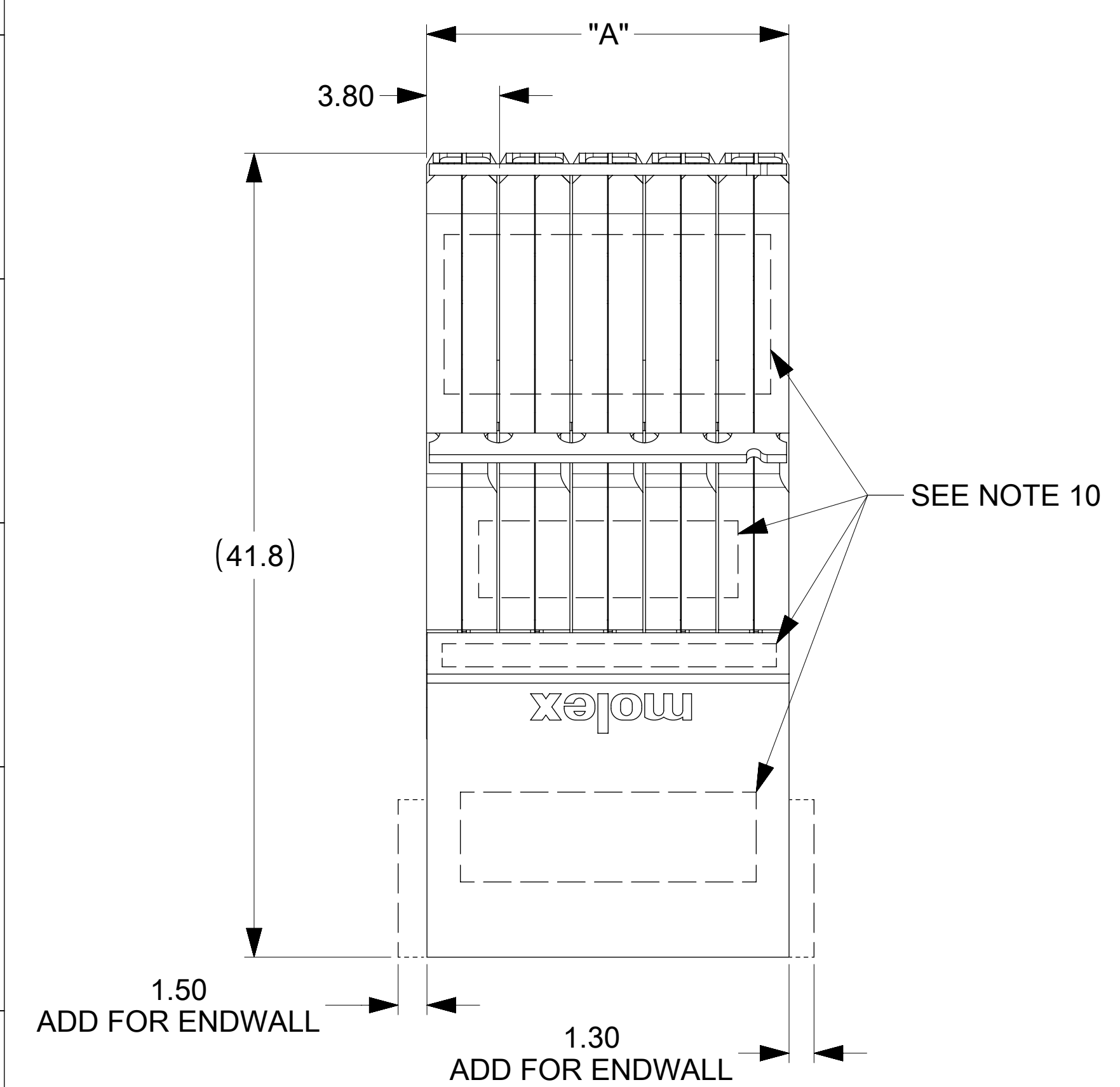
MODULE TYPE
1 = UNGUIDED, LEAD-FREE

PIN LENGTH (P)
4 = 4.90 (0.46 PTH)
5 = 5.50 (0.46 PTH)
7 = 4.90 (0.39 PTH)
8 = 5.50 (0.39 PTH)

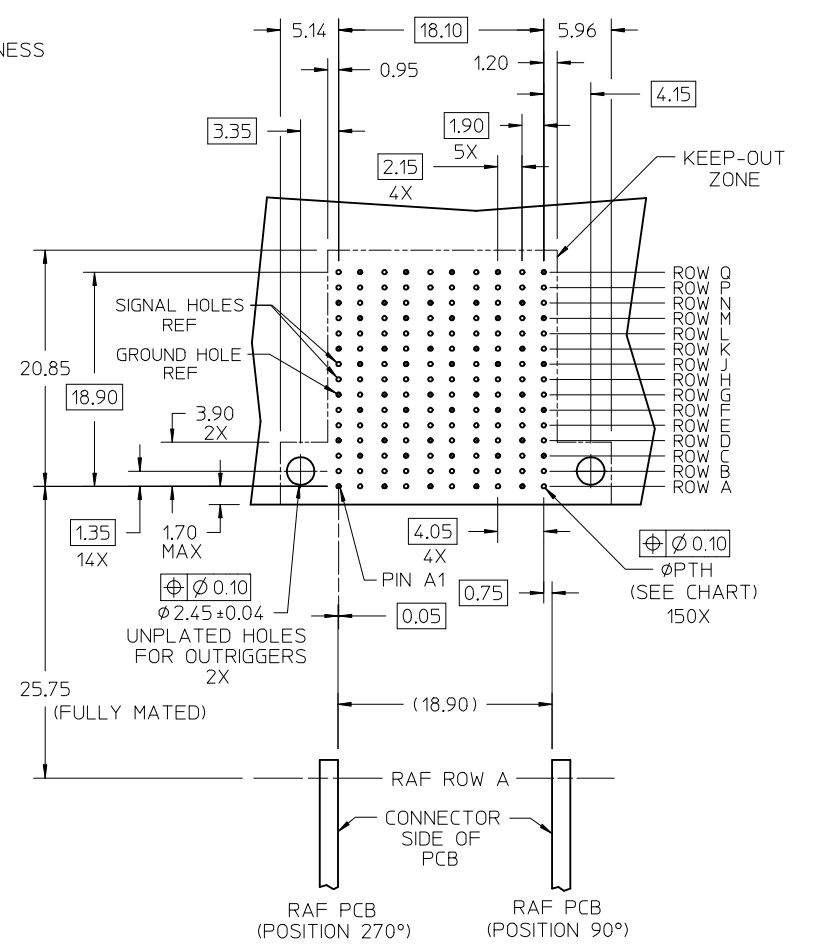
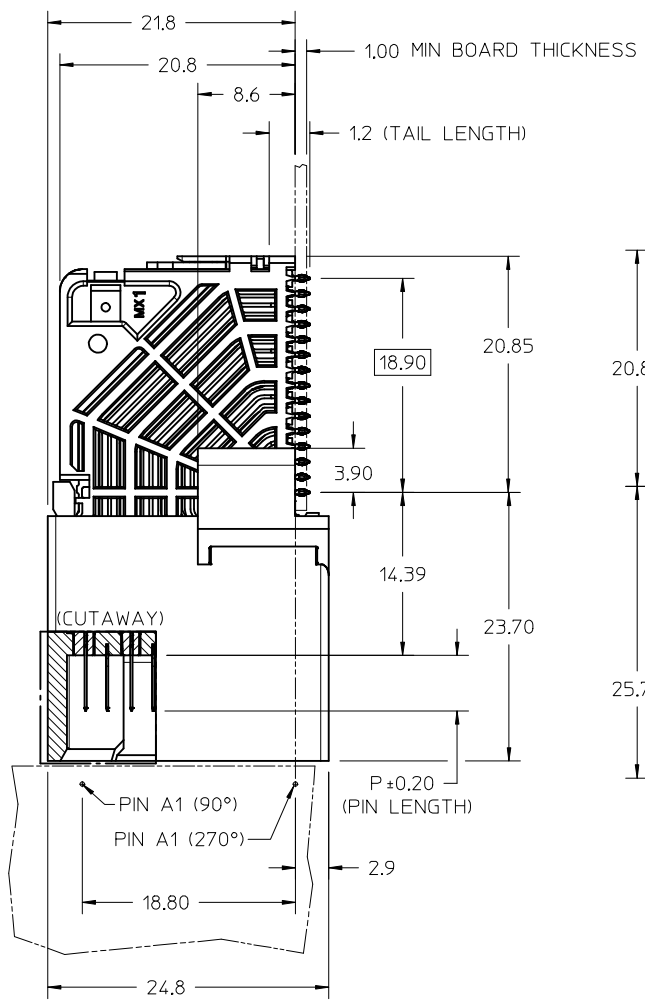
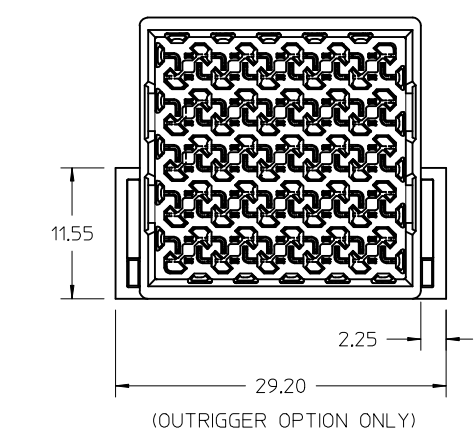
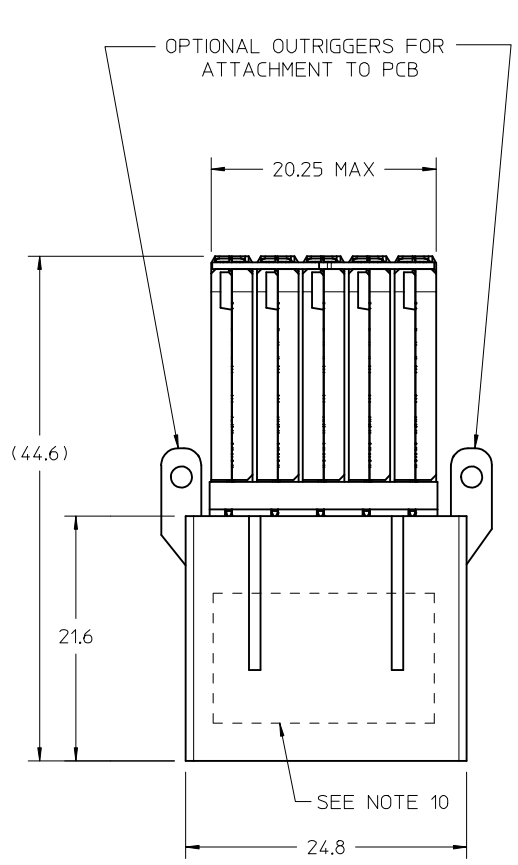
OF COLUMNS
1 = 10 COLUMNS
6 = 16 COLUMNS
7 = 14 COLUMNS

END WALL OPTIONS
0 = OPEN
1 = LEFT END WALL
2 = DUAL END WALL
3 = RIGHT END WALL

- NOTES:
- MATERIALS: HOUSING - LIQUID CRYSTAL POLYMER (LCP), GLASS-FILLED, UL94V-0
TERMINALS - HIGH PERFORMANCE COPPER ALLOY
 - FINISH: 30 μ M SELECTIVE GOLD IN CONTACT AREA, SELECTIVE TIN ON PCB TAILS, NICKEL OVERALL.
 - REFER TO MOLEX PRODUCT SPECIFICATION PS-76060-999 FOR PERFORMANCE SPECIFICATIONS AND ADDITIONAL PCB INFORMATION.
 - EACH SIGNAL WAFER CONTAINS 2 COLUMNS OF TERMINALS.
 - PRODUCT IS PACKAGED PER PK-70873-777.
 - THIS PART CONFORMS TO CLASS B REQUIREMENTS OF COSMETIC SPEC PS-45499-002.
 - REFER TO MOLEX SALES DRAWING SD-76150-001 FOR THE MATING RECEPTACLES.
 - REFER TO MOLEX PCB ROUTING GUIDE AS-76060-990 FOR ANTIPAD AND ROUTING RECOMMENDATIONS.
 - OPEN WALL VERSION SHOWN FOR CLARITY. SEE PCB LAYOUT FOR OVERALL LENGTH ADDITION ON THE ASSEMBLIES WITH ENDWALLS.
 - MARKING: LOCATED APPROXIMATELY AS SHOWN. PART NUMBER AND DATE CODE.
 - THESE DIMENSIONS REPRESENT THE AREA NEEDED TO ACCOMODATE CONNECTOR INSERTION AND REPAIR ON THE PCB. THIS IS REFERRED TO AS THE "CONNECTOR KEEP OUT ZONE" AND DOES NOT REPRESENT THE ACTUAL PERIMETER OF THE CONNECTOR.



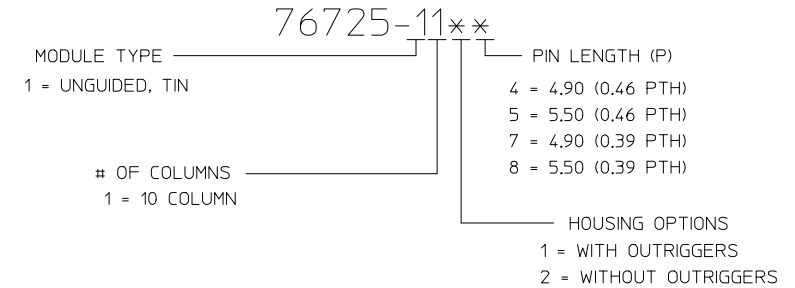
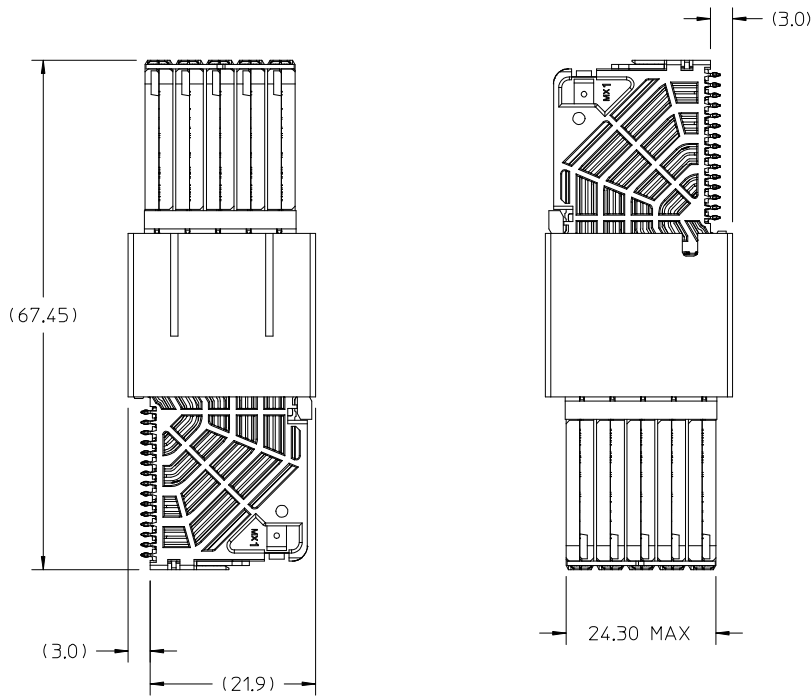
| SYMBOLS | | THIS DRAWING CONTAINS INFORMATION THAT IS PROPRIETARY TO MOLEX ELECTRONIC TECHNOLOGIES, LLC AND SHOULD NOT BE USED WITHOUT WRITTEN PERMISSION | | CURRENT REV DESC: CORRECT PIN CALLOUTS | | molex | |
|--------------|---------------------------------------|---|--------|--|----------------|----------------------------------|--|
| $\nabla = 0$ | mm | SCALE | 4:1 | EC NO: 607222 | | IMPACT 6 PAIR RAM | |
| $\nabla = 0$ | GENERAL TOLERANCES (UNLESS SPECIFIED) | | | DRWN: DVARVARA 2018/11/06 | | MARRIED - UNGUIDED SALES DRAWING | |
| $\nabla = 0$ | ANGULAR TOL \pm 0.5° | | | CHK'D: DMORGAN 2018/11/06 | | PRODUCT CUSTOMER DRAWING | |
| $\nabla = 0$ | 4 PLACES \pm | | | APPR: DMORGAN 2018/11/06 | | DOCUMENT NUMBER | |
| $\nabla = 0$ | 3 PLACES \pm | | | INITIAL REVISION: | | DOC TYPE | |
| $\nabla = 0$ | 2 PLACES \pm 0.13 | | | DRWN: JGONZALEZ01 2014/11/24 | | DOC PART | |
| $\nabla = 0$ | 1 PLACE \pm 0.25 | | | APPR: TELO 2016/01/10 | | REVISION | |
| $\nabla = 0$ | 0 PLACES \pm | | | DRAFT WHERE APPLICABLE MUST REMAIN WITHIN DIMENSIONS | | SD-76560-9001 | |
| $\nabla = 0$ | THIRD ANGLE PROJECTION | DRAWING | SERIES | MATERIAL NUMBER | CUSTOMER | SHEET NUMBER | |
| $\nabla = 0$ | | D-SIZE | 76560 | SEE TABLE | GENERAL MARKET | 1 OF 2 | |



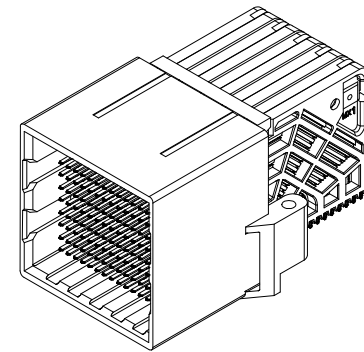
OD-RAM HOLE PATTERN
(CONNECTOR SIDE)

| | | | | | | | | | |
|--|-------------------------------|---------------------------------------|----------------------|---|---------------------|---|-------------------------------------|----------------------------|--|
| UPDATE TP. LASER MARK EC NO: UCP2016-3973 DRWNG:VARVARA 2015/08/24 CHKD:TELO 2016/02/22 APPR:TELO 2016/04/20 | QUALITY SYMBOLS ▽=0 ▽=0 | GENERAL TOLERANCES (UNLESS SPECIFIED) | | DIMENSION STYLE MM ONLY | SCALE 3:1 | DESIGN UNITS METRIC | THIRD ANGLE PROJECTION | | |
| | | 4 PLACES ± --- ± --- | 3 PLACES ± --- ± --- | DRAWN BY JMENDOZA | DATE 2011/04/11 | TITLE IMPACT ORTHOGONAL DIRECT 5 PAIR RAM ASSEMBLY UNGUIDED SALES DRAWING | | | |
| | | 2 PLACES ± 0.13 ± --- | 1 PLACE ± 0.25 ± --- | CHECKED BY JB INGHAM | DATE 2011/04/12 | MOLEX INCORPORATED | | | |
| | | ANGULAR ± 1/2° | | APPROVED BY JB INGHAM | DATE 2011/04/21 | MATERIAL NO. SEE CHART | DOCUMENT NO. SD-76725-001 | SHEET NO. 1 OF 4 | |
| DRAFT WHERE APPLICABLE MUST REMAIN WITHIN DIMENSIONS | | SIZE C | | THIS DRAWING CONTAINS INFORMATION THAT IS PROPRIETARY TO MOLEX INCORPORATED AND SHOULD NOT BE USED WITHOUT WRITTEN PERMISSION | | | | | |

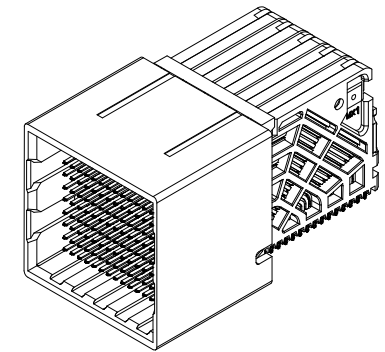
| MATERIAL NUMBER | # OF COLUMNS | # OF DIFF PAIR | DIM P | PTH ϕ |
|-----------------|--------------|----------------|-------|------------|
| 76725-11*4 | 10 | 50 | 4.90 | 0.46±0.05 |
| 76725-11*5 | 10 | 50 | 5.50 | 0.46±0.05 |
| 76725-11*7 | 10 | 50 | 4.90 | 0.39±0.05 |
| 76725-11*8 | 10 | 50 | 5.50 | 0.39±0.05 |



MATED DIMENSIONS (POSITION 270° SHOWN, WITHOUT OUTRIGGERS)



OD-RAM WITH OUTRIGGERS



OD-RAM WITHOUT OUTRIGGERS

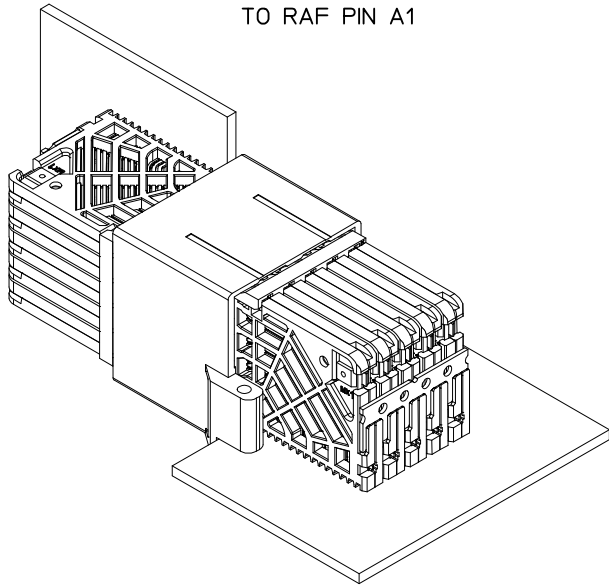
NOTES:

- MATERIALS: HOUSING - LIQUID CRYSTAL POLYMER (LCP)
GLASS-FILLED, UL94V-0
TERMINALS - HIGH PERFORMANCE COPPER ALLOY
- FINISH: 30 μ MIN GOLD IN CONTACT AREA.
SELECTIVE TIN ON PCB TAILS.
NICKEL OVERALL.
- REFER TO MOLEX PRODUCT SPECIFICATION PS-76060-999 FOR PERFORMANCE SPECIFICATIONS AND ADDITIONAL PCB INFORMATION.
- THIS PART CONFORMS TO CLASS B REQUIREMENTS OF COSMETIC SPEC PS-45499-002.
- PACKAGE PER: PK-70873-8010.
- SEE SHEET 3 AND 4 FOR ORTHOGONAL PIN MAPPING.
- REFER TO MOLEX SALES DRAWING SD-76990-001 FOR THE MATING RECEPTACLES.
- REFER TO MOLEX ROUTING GUIDE AS-76850-990 FOR ADDITIONAL PCB LAYOUT AND ROUTING RECOMMENDATIONS.
- CONNECTORS WITH OUTRIGGERS ARE SUPPLIED WITH TWO 2-32 THREAD FORMING SCREWS.
- MARKING: LOCATED APPROXIMATELY AS SHOWN, ON BOTTOM OR TOP OF THE HOUSING. PART NUMBER AND DATE CODE.

| | | | | | | | | | |
|---|-------------------------------|---------------------------------------|----------------------|--|----------------------|--|------------------------|------------------------------|--|
| SEE SHEET 1 EC NO: UCP2016-3973 DRAWN BY: DRWINDYARVARA 2015/08/24 CHKD:TELO 2016/02/22 APPR:TELO 2016/04/20 | QUALITY SYMBOLS ▽=0 ▽=0 | GENERAL TOLERANCES (UNLESS SPECIFIED) | | DIMENSION STYLE MM ONLY | | SCALE 2:1 | DESIGN UNITS METRIC | THIRD ANGLE PROJECTION | |
| | | mm | INCH | DRAWN BY JMENDOZA | DATE 2011/04/11 | TITLE IMPACT ORTHOGONAL DIRECT 5 PAIR RAM ASSEMBLY UNGUIDED SALES DRAWING | MOLEX INCORPORATED | | |
| A2 | DESCRIPTION REV | 4 PLACES ± --- ± --- | 3 PLACES ± --- ± --- | 2 PLACES ± 0.13 ± --- | 1 PLACE ± 0.25 ± --- | APPROVED BY JB INGHAM | DATE 2011/04/12 | DOCUMENT NO. SD-76725-001 | |
| | | ANGULAR ±1/2° | | DRAFT WHERE APPLICABLE MUST REMAIN WITHIN DIMENSIONS | | SEE CHART | | SHEET NO. 2 OF 4 | |
| THIS DRAWING CONTAINS INFORMATION THAT IS PROPRIETARY TO MOLEX INCORPORATED AND SHOULD NOT BE USED WITHOUT WRITTEN PERMISSION | | | | | | | | | |

ORTHO POSITION 270°

OD-RAM PIN A1 MAPS
TO RAF PIN A1



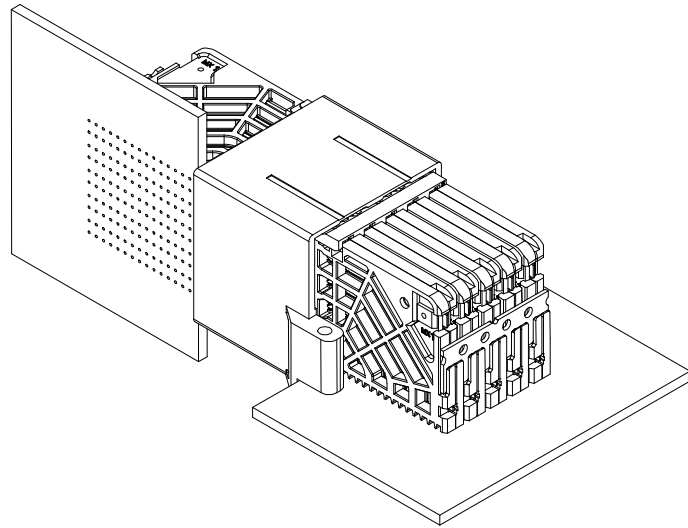
| ORTHO PIN MAPPING | | | | | | | | | |
|-----------------------------------|----------|---------|----------|---------|----------|---------|----------|---------|-----------|
| OPTION 270 (NEAR SIDE - FAR SIDE) | | | | | | | | | |
| (A1-A1) | A2-B1 | (A3-D1) | A4-E1 | (A5-G1) | A6-H1 | (A7-K1) | A8-L1 | (A9-N1) | A10-P1 |
| B1-A2 | B2-C1 | B3-D2 | B4-F1 | B5-G2 | B6-J1 | B7-K2 | B8-M1 | B9-N2 | B10-O1 |
| C1-B2 | (C2-C2) | C3-E2 | (C4-F2) | C5-H2 | (C6-J2) | C7-L2 | (C8-M2) | C9-P2 | (C10-Q2) |
| (D1-A3) | D2-B3 | (D3-D3) | D4-E3 | (D5-G3) | D6-H3 | (D7-K3) | D8-L3 | (D9-N3) | D10-P3 |
| E1-A4 | E2-C3 | E3-D4 | E4-F3 | E5-G4 | E6-J3 | E7-K4 | E8-M3 | E9-N4 | E10-Q3 |
| F1-B4 | (F2-C4) | F3-E4 | (F4-F4) | F5-H4 | (F6-J4) | F7-L4 | (F8-M4) | F9-P4 | (F10-Q4) |
| (G1-A5) | G2-B5 | (G3-D5) | G4-E5 | (G5-G5) | G6-H5 | (G7-K5) | G8-L5 | (G9-N5) | G10-P5 |
| H1-A6 | H2-C5 | H3-D6 | H4-F5 | H5-G6 | H6-J5 | H7-K6 | H8-M5 | H9-N6 | H10-O5 |
| J1-B6 | (J2-C6) | J3-E6 | (J4-F6) | J5-H6 | (J6-J6) | J7-L6 | (J8-M6) | J9-P6 | (J10-Q6) |
| (K1-A7) | K2-B7 | (K3-D7) | K4-E7 | (K5-G7) | K6-H7 | (K7-K7) | K8-L7 | (K9-N7) | K10-P7 |
| L1-A8 | L2-C7 | L3-D8 | L4-F7 | L5-G8 | L6-J7 | L7-K8 | L8-M7 | L9-N8 | L10-O7 |
| M1-B8 | (M2-C8) | M3-E8 | (M4-F8) | M5-H8 | (M6-J8) | M7-L8 | (M8-M8) | M9-P8 | (M10-Q8) |
| (N1-A9) | N2-B9 | (N3-D9) | N4-E9 | (N5-G9) | N6-H9 | (N7-K9) | N8-L9 | (N9-N9) | N10-P9 |
| P1-A10 | P2-C9 | P3-D10 | P4-F9 | P5-G10 | P6-J9 | P7-K10 | P8-M9 | P9-N10 | P10-Q9 |
| Q1-B10 | (Q2-C10) | Q3-E10 | (Q4-F10) | Q5-H10 | (Q6-J10) | Q7-L10 | (Q8-M10) | Q9-P10 | (Q10-Q10) |

NOTE: PINOUTS SHOWN IN BALLOONS ARE GROUNDS.
GROUND PATHS ARE NOT DISCRETE CIRCUITS.

| SEE SHEET 1 EC NO: UCP2016-3973 DRWNG: VARVARA 2015/08/24 CHKD: TELO 2016/02/22 APPR: TELO 2016/04/20 REV: A2 | QUALITY SYMBOLS ▽=0 ▽=0 | GENERAL TOLERANCES (UNLESS SPECIFIED) <table border="1"> <tr> <th></th> <th>mm</th> <th>INCH</th> </tr> <tr> <td>4 PLACES</td> <td>± .005</td> <td>± .0002</td> </tr> <tr> <td>3 PLACES</td> <td>± .005</td> <td>± .0002</td> </tr> <tr> <td>2 PLACES</td> <td>± 0.13</td> <td>± .005</td> </tr> <tr> <td>1 PLACE</td> <td>± 0.25</td> <td>± .010</td> </tr> </table> ANGULAR ±1/2° | | mm | INCH | 4 PLACES | ± .005 | ± .0002 | 3 PLACES | ± .005 | ± .0002 | 2 PLACES | ± 0.13 | ± .005 | 1 PLACE | ± 0.25 | ± .010 | DIMENSION STYLE MM ONLY | SCALE 2:1 | DESIGN UNITS METRIC | THIRD ANGLE PROJECTION |
|--|-------------------------------|--|---------|----------------------------|------|----------|--------|---------|----------|--------|---------|----------|--------|--------|---------|--------|--------|-----------------------------------|---------------------|-------------------------------|------------------------|
| | | mm | INCH | | | | | | | | | | | | | | | | | | |
| | 4 PLACES | ± .005 | ± .0002 | | | | | | | | | | | | | | | | | | |
| | 3 PLACES | ± .005 | ± .0002 | | | | | | | | | | | | | | | | | | |
| 2 PLACES | ± 0.13 | ± .005 | | | | | | | | | | | | | | | | | | | |
| 1 PLACE | ± 0.25 | ± .010 | | | | | | | | | | | | | | | | | | | |
| DRAWN BY JMENDOZA | DATE 2011/04/11 | TITLE IMPACT ORTHOGONAL DIRECT 5 PAIR RAM ASSEMBLY UNGUIDED SALES DRAWING | | | | | | | | | | | | | | | | | | | |
| CHECKED BY JB INGHAM | DATE 2011/04/12 | APPROVED BY JB INGHAM | | | | | | | | | | | | | | | | | | | |
| MATERIAL NO. SEE CHART | | DOCUMENT NO. SD-76725-001 | | SHEET NO. 3 OF 4 | | | | | | | | | | | | | | | | | |

DRAFT WHERE APPLICABLE MUST REMAIN WITHIN DIMENSIONS
 THIS DRAWING CONTAINS INFORMATION THAT IS PROPRIETARY TO MOLEX INCORPORATED AND SHOULD NOT BE USED WITHOUT WRITTEN PERMISSION

ORTHO POSITION 90°
 OD-RAM PIN A1 MAPS
 TO RAF PIN Q10



| ORTHO PIN MAPPING | | | | | | | | | |
|---------------------------------|---------|----------|---------|----------|---------|----------|---------|----------|----------|
| OPTION 90 (NEARSIDE - FAR SIDE) | | | | | | | | | |
| (A1-Q10) | A2-P10 | (A3-M10) | A4-L10 | (A5-J10) | A6-H10 | (A7-F10) | A8-E10 | (A9-C10) | A10-B10 |
| B1-Q9 | B2-N10 | B3-M9 | B4-K10 | B5-J9 | B6-G10 | B7-F9 | B8-D10 | B9-C9 | B10-A10 |
| C1-P9 | (C2-N9) | C3-L9 | (C4-K9) | C5-H9 | (C6-G9) | C7-E9 | (C8-D9) | C9-B9 | (C10-A9) |
| (D1-Q8) | D2-P8 | (D3-M8) | D4-L8 | (D5-J8) | D6-H8 | (D7-F8) | D8-E8 | (D9-C8) | D10-B8 |
| E1-Q7 | E2-N8 | E3-M7 | E4-K8 | E5-J7 | E6-G8 | E7-F7 | E8-D8 | E9-C7 | E10-A8 |
| F1-P7 | (F2-N7) | F3-L7 | (F4-K7) | F5-H7 | (F6-G7) | F7-E7 | (F8-D7) | F9-B7 | (F10-A7) |
| (G1-Q6) | G2-P6 | (G3-M6) | G4-L6 | (G5-J6) | G6-H6 | (G7-F6) | G8-E6 | (G9-C6) | G10-B6 |
| H1-Q5 | H2-N6 | H3-M5 | H4-K6 | H5-J5 | H6-G6 | H7-F5 | H8-D6 | H9-C5 | H10-A6 |
| J1-P5 | (J2-N5) | J3-L5 | (J4-K5) | J5-H5 | (J6-G5) | J7-E5 | (J8-D5) | J9-B5 | (J10-A5) |
| (K1-Q4) | K2-P4 | (K3-M4) | K4-L4 | (K5-J4) | K6-H4 | (K7-F4) | K8-E4 | (K9-C4) | K10-B4 |
| L1-Q3 | L2-N4 | L3-M3 | L4-K4 | L5-J3 | L6-G4 | L7-F3 | L8-D4 | L9-C3 | L10-A4 |
| M1-P3 | (M2-N3) | M3-L3 | (M4-K3) | M5-H3 | (M6-G3) | M7-E3 | (M8-D3) | M9-B3 | (M10-A3) |
| (N1-Q2) | N2-P2 | (N3-M2) | N4-L2 | (N5-J2) | N6-H2 | (N7-F2) | N8-E2 | (N9-C2) | N10-B2 |
| P1-Q1 | P2-N2 | P3-M1 | P4-K2 | P5-J1 | P6-G2 | P7-F1 | P8-D2 | P9-C1 | P10-A2 |
| Q1-P1 | (Q2-N1) | Q3-L1 | (Q4-K1) | Q5-H1 | (Q6-G1) | Q7-E1 | (Q8-D1) | Q9-B1 | (Q10-A1) |

NOTE: PINOUTS SHOWN IN BALLOONS ARE GROUNDS.
 GROUND PATHS ARE NOT DISCRETE CIRCUITS.

| | | | | | | | | |
|---|---------------------|---|--|-----------------|--|---|------------------------|--|
| SEE SHEET 1 EC NO: UCP2016-3973 DRWING: VARVARA 2015/08/24 CHKD: TELO 2016/02/22 APPR: TELO 2016/04/20 | QUALITY SYMBOLS | GENERAL TOLERANCES (UNLESS SPECIFIED) | | DIMENSION STYLE | SCALE | DESIGN UNITS | THIRD ANGLE PROJECTION | |
| | | | | MM ONLY | 2:1 | METRIC | | |
| | | | | DRAWN BY | DATE | TITLE | | |
| | | | | JMENDOZA | 2011/04/11 | IMPACT ORTHOGONAL DIRECT 5 PAIR RAM ASSEMBLY UNGUIDED SALES DRAWING | | |
| A2 | DESCRIPTION REV | 4 PLACES ± --- ± --- 3 PLACES ± --- ± --- 2 PLACES ± 0.13 ± --- 1 PLACE ± 0.25 ± --- ANGULAR ± 1/2° | | CHECKED BY | DATE | MOLEX INCORPORATED | | |
| | | | | JB INGHAM | 2011/04/12 | DOCUMENT NO. SD-76725-001 SHEET NO. 4 OF 4 | | |
| | | DRAFT WHERE APPLICABLE MUST REMAIN WITHIN DIMENSIONS | | APPROVED BY | DATE | | | |
| | | | | JB INGHAM | 2011/04/21 | | | |
| | | | | MATERIAL NO. | | | | |
| | | | | SEE CHART | | | | |
| | | | | SIZE | THIS DRAWING CONTAINS INFORMATION THAT IS PROPRIETARY TO MOLEX INCORPORATED AND SHOULD NOT BE USED WITHOUT WRITTEN PERMISSION | | | |