

07212100X Series

Single-Stud Junction Block

Applications:

- Heavy-duty ground or power connection points in AC or DC circuits
- Transformers, welding machines, and generators
- Various vehicle electrical systems

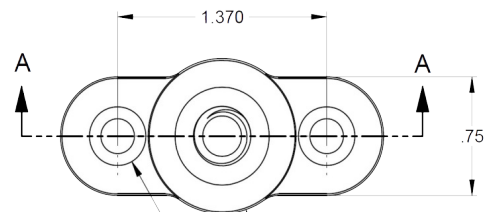
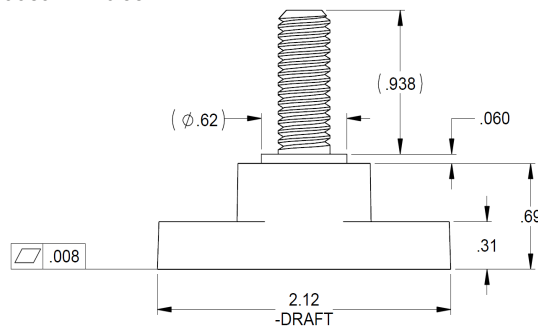
Materials:

- Resin - Thermoplastic, Flammability rating UL 94 V-0
- Stud - Zinc Plated Steel



ASSEMBLY P/N	THREAD SIZE	MAX. CURRENT (A)	MAX. TORQUE (in-lb)
072121001	3/8-18 UNC-2A	250	120
072121002	5/16-18 UNC-2A	200	75
072121003	1/4-20 UNC-2A	100	30
072121004	10-32 UNF-2A	50	24

- This block is designed as a landing point for multiple wire lugs to contact each other and have pressure applied by the action of the screw thread so as to create an effective electrical connection.
- Minimal acceptable spacings between uninsulated live parts and grounded parts are dependent on end use application. See applicable Safety Standard of end product for further details.
- Washers and nuts not included with block.



COUNTERBORE: $\phi .370$
 X .14 DEEP, TWO PLACES
 THRU HOLE: $\phi .220$, TWO PLACES
 $\phi .98$
 -DRAFT
 $\phi .96$ AT TOP

